

RIGOL

Rack Mount Kit

DS8000-R Series Rack Mount Kit

RM1011&RM1012

Aug. 2020
RIGOL TECHNOLOGIES CO., LTD.

Guaranty and Declaration

Copyright

© 2020 **RIGOL** TECHNOLOGIES CO., LTD. All Rights Reserved.

Trademark Information

RIGOL® is the trademark of **RIGOL** TECHNOLOGIES CO., LTD.

Publication Number

RKD27100-1110

Notices

- **RIGOL** products are covered by P.R.C. and foreign patents, issued and pending.
- **RIGOL** reserves the right to modify or change parts of or all the specifications and pricing policies at the company's sole decision.
- Information in this publication replaces all previously released materials.
- Information in this publication is subject to change without notice.
- **RIGOL** shall not be liable for either incidental or consequential losses in connection with the furnishing, use, or performance of this manual, as well as any information contained.
- Any part of this document is forbidden to be copied, photocopied, or rearranged without prior written approval of **RIGOL**.

Product Certification

RIGOL guarantees that this product conforms to the national and industrial standards in China as well as the ISO9001:2015 standard and the ISO14001:2015 standard. Other international standard conformance certifications are in progress.

Contact Us

If you have any problem or requirement when using our products or this manual, please contact **RIGOL**.

E-mail: service@rigol.com

Website: www.rigol.com

Safety Notices and Symbols

Safety Notices in this Manual:



WARNING

Indicates a potentially hazardous situation or practice which, if not avoided, will result in serious injury or death.



CAUTION

Indicates a potentially hazardous situation or practice which, if not avoided, could result in damage to the product or loss of important data.

Safety Terms on the Product:

DANGER It calls attention to an operation, if not correctly performed, could result in injury or hazard immediately.

WARNING It calls attention to an operation, if not correctly performed, could result in potential injury or hazard.

CAUTION It calls attention to an operation, if not correctly performed, could result in damage to the product or other devices connected to the product.

Safety Symbols on the Product:



Hazardous
Voltage



Safety
Warning



Protective
Earth
Terminal



Chassis
Ground



Test
Ground

Product Overview

This rack mount kit (RM1011 & RM1012) is designed to mount **RIGOL** DS8000-R series digital oscilloscope into a 19-inch cabinet that conforms to the Electronic Industries Association (EIA) standard. RM1011 is designed for installing a single instrument, and RM1012 for two instruments.

Note: Do not keep the air intake areas at the right side of the DS8000-R series digital oscilloscope far away from heat sources.

Rack Mount Installation for a Single Instrument

(Recommended)

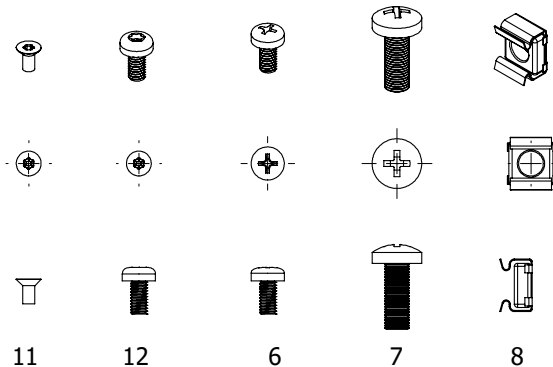
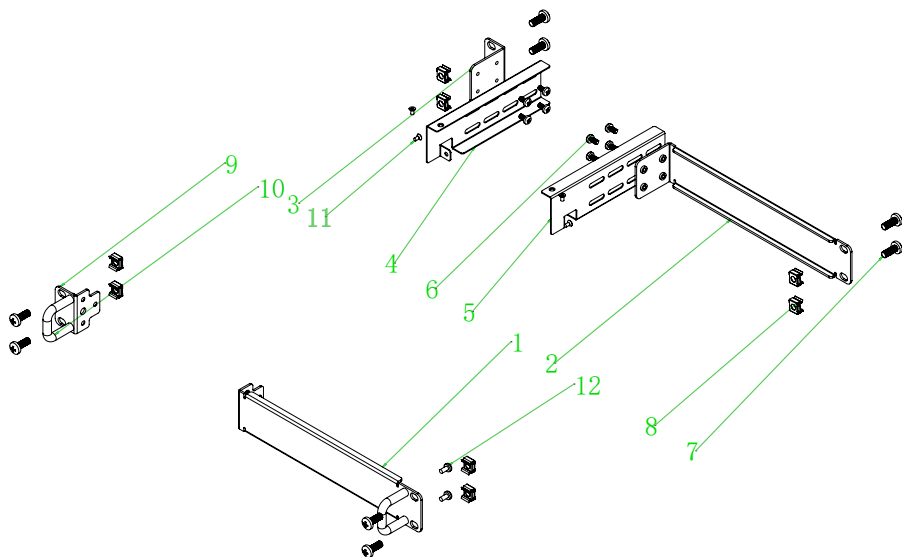
Kit Part Checklist

Table 1 RM1011 Part List

No.	Name	Qty.	Description
1	Front Bezel	1	--
2	Rear Bezel	1	--
3	Rear Hanging Ear	1	--
4	Left Side Beam	1	--
5	Right Side Beam	1	--
6	M4 Screw	8	M4x8 Phillips Pan Head Screw
7	M6 Screw	8	M6x16 Phillips Pan Head Screw
8	M6 Nut	8	M6 Square Lock Cage Nut

Table 2 DS8000-R Components (available to be disassembled for rack mount installation)

No.	Name	Qty.	Description
9	Hanging Ear	1	--
10	Handle	1	--
11	M3 Screw	7	M3x6 Torx Flat Head Countersunk Screw
12	M4 Screw	2	M4x8 Torx Pan Head Screw



Installation Tool

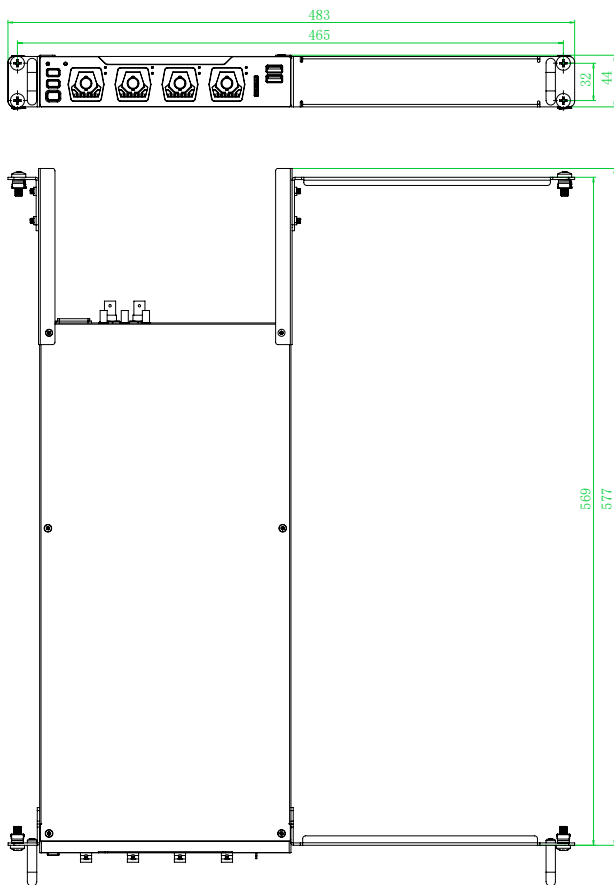
The PH2 Phillips screwdriver, T10 torx screwdriver, and T20 torx screwdriver are recommended.

Space Requirements

To mount the instrument into the cabinet correctly, please ensure that the following requirements are met.

- The cabinet must be a standard 19-inch one.
- The available height of the cabinet should be at least 1U (44 mm).
- The depth of the cabinet should be at least 600 mm.

The dimensions of the rack are as shown below.



Unit: mm

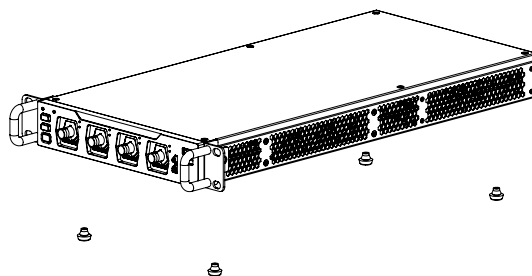
Installation Procedures



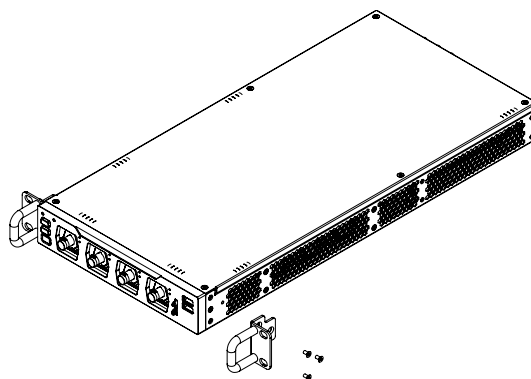
CAUTION

Only authorized operators are allowed to perform the installation. Improper installation might cause damage to the instrument or an installation failure.

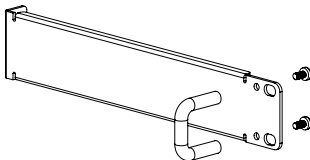
1. Remove the four pads.



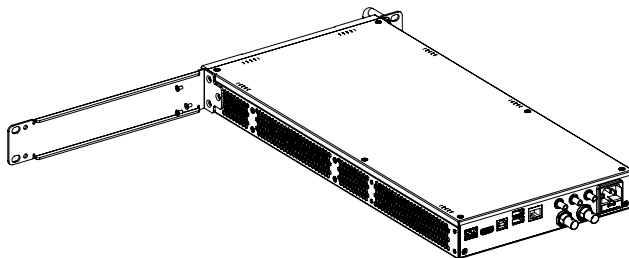
2. Remove three M3x6 torx flat head countersunk screws that secure the hanging ear of the instrument at the right side of the front panel. Then remove two M4x8 torx pan head screws that secure the handle. You only need to remove the hanging ear at one side and keep the hanging ear at the other side unremoved.



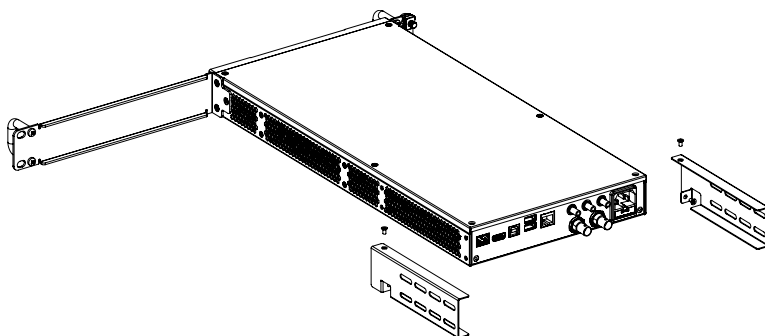
- Use two M4x8 torx pan head screws to fasten the handle to the front bezel.



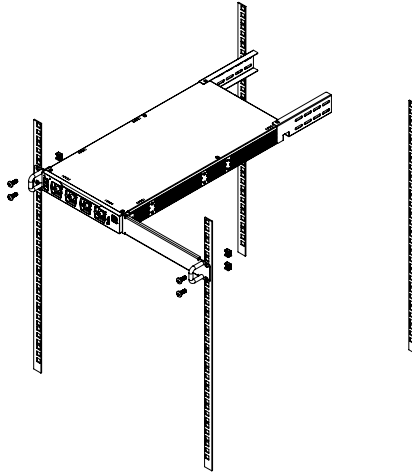
- Attach the front bezel to the right side of the front panel, then secure the bezel by using three M3x6 torx flat head countersunk screws.



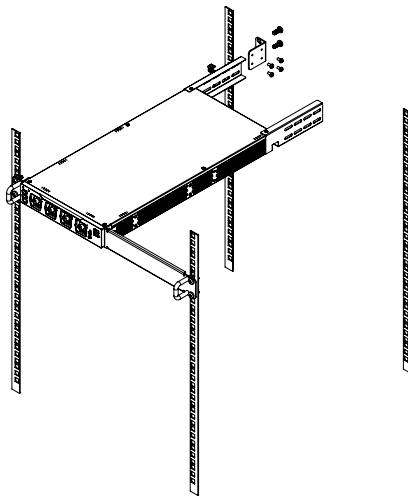
- Secure the left and right side beams to the two sides of the rear panel by using the available M3x6 torx flat head countersunk screws on the instrument.



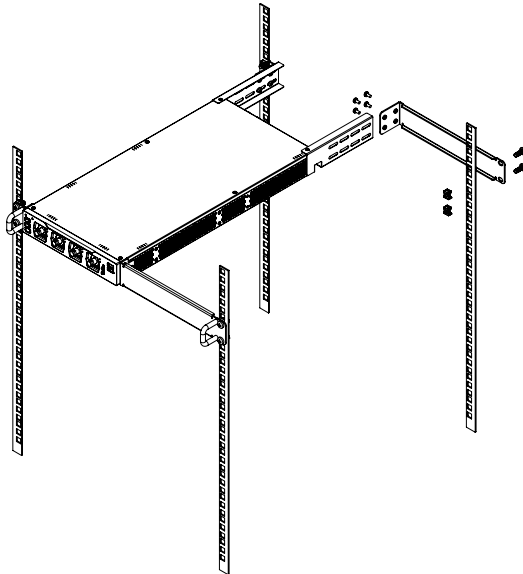
6. Mount the assembled instrument and rack into a standard 19-inch cabinet by using four M6x16 phillips pan head screws and four M6 square lock cage nuts.



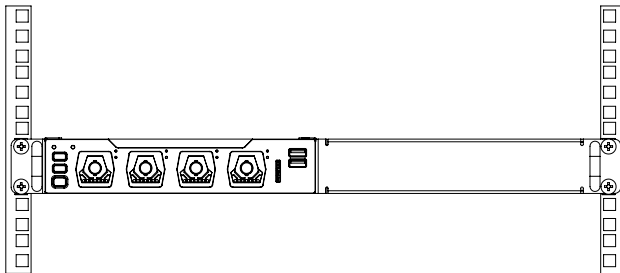
7. Use two M6x16 phillips pan head screws and two M6 square lock cage nuts to secure the rear hanging ear to the cabinet. Then use four M4x8 phillips pan head screws to secure the left side beam to the rear hanging ear.



8. Use two M6x16 phillips pan head screws and two M6 square lock cage nuts to secure the rear bezel to the rack. Then use four M4x8 phillips pan head screws to secure the right side beam to the rear bezel.



9. The following figure shows the front view of the successful rack mount installation for one instrument.



-End-

Rack Mount Installation for Two Instruments

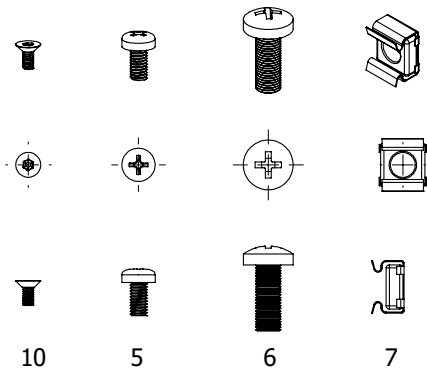
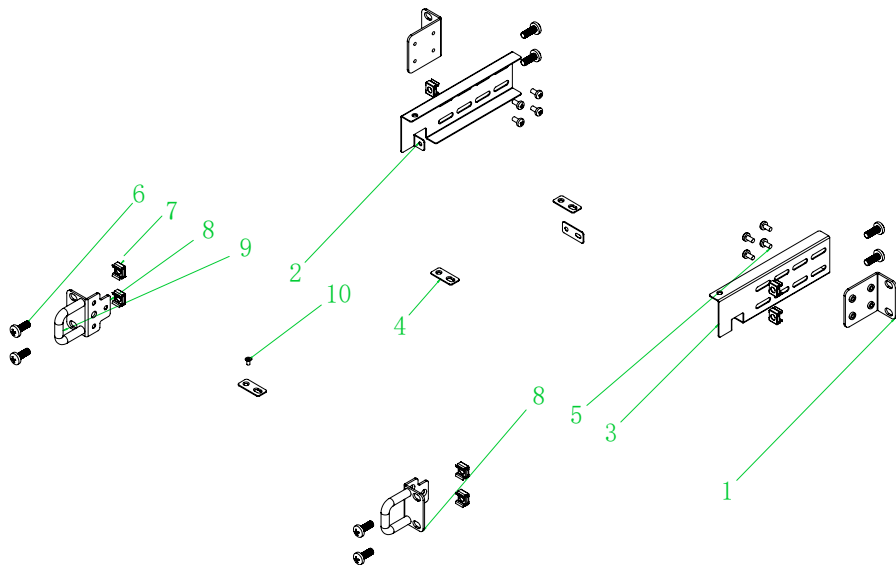
Kit Part Checklist

Table 3 RM1012 Part List

No.	Name	Qty.	Description
1	Rear Hanging Ear	2	--
2	Left Side Beam	1	--
3	Right Side Beam	1	--
4	Connecting Plate	4	--
5	M4 Screw	8	M4x8 Phillips Pan Head Screw
6	M6 Screw	8	M6x16 Phillips Pan Head Screw
7	M6 Nut	8	M6 Square Lock Cage Nut

Table 4 DS8000-R Components (available to be disassembled for rack mount installation)

No.	Name	Qty.	Description
8	Hanging Ear	2	--
9	Handle	2	--
10	M3 Screw	18	M3x6 Torx Flat Head Countersunk Screw



Installation Tool

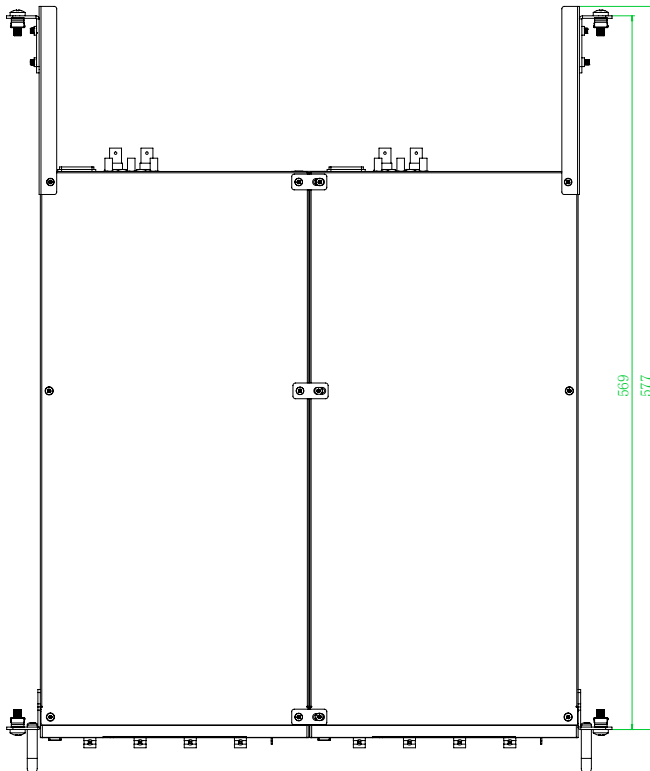
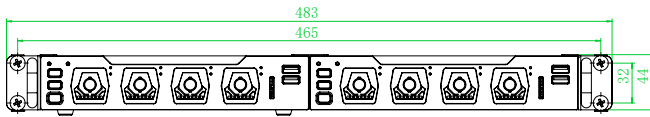
The PH2 Phillips screwdriver and T10 torx screwdriver are recommended.

Space Requirements

To mount the instrument into the cabinet correctly, please ensure that the following requirements are met.

- The cabinet must be a standard 19-inch one.
- The available height of the cabinet should be at least 1U (44 mm).
- The depth of the cabinet should be at least 600 mm.

The dimensions of the rack are as shown below.



Unit: mm

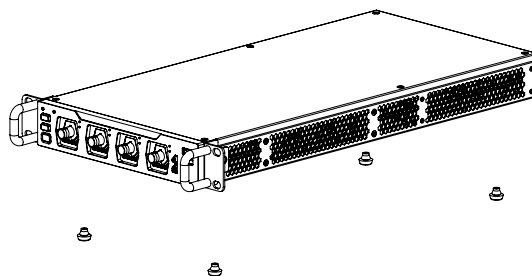
Installation Procedures



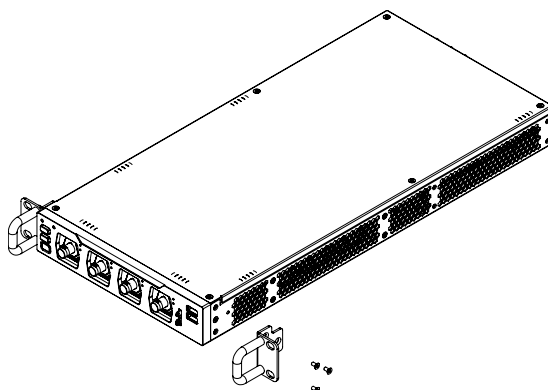
CAUTION

Only authorized operators are allowed to perform the installation. Improper installation might cause damage to the instrument or an installation failure.

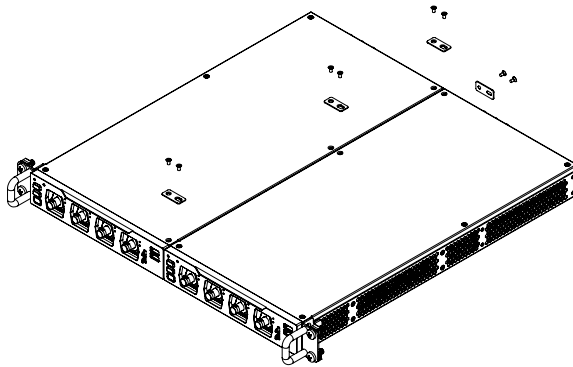
1. Remove the four pads.



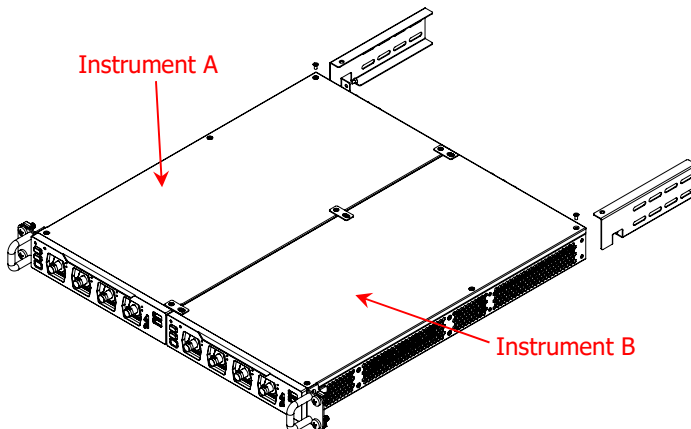
2. Remove six M3x6 torx flat head countersunk screws that secure the two hanging ears at a different side of each instrument. You only need to remove the hanging ear at one side for each instrument and keep the hanging ear at the other side unremoved.



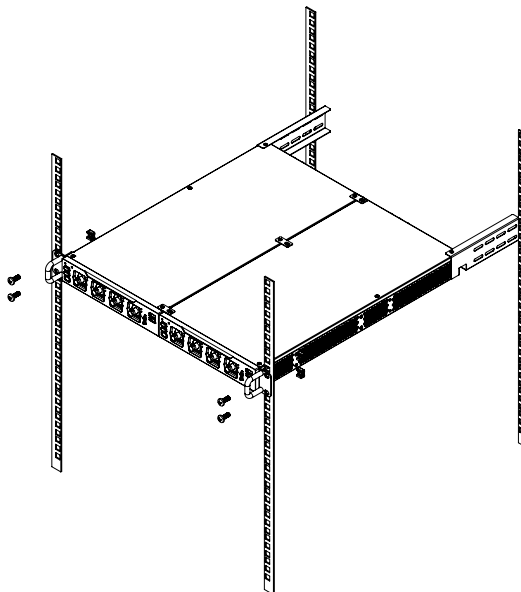
- Using four connecting plates to fasten the two instruments with eight existing M3x6 torx flat head countersunk screws on the instrument.



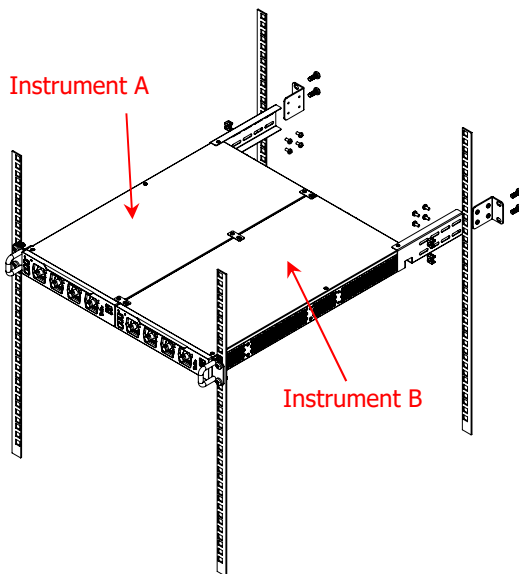
- Secure the left side beam to the left side of the rear panel of Instrument A; and secure the right side beam to the right side of the rear panel of Instrument B by using the existing M3x6 torx flat head countersunk screws on the instrument.



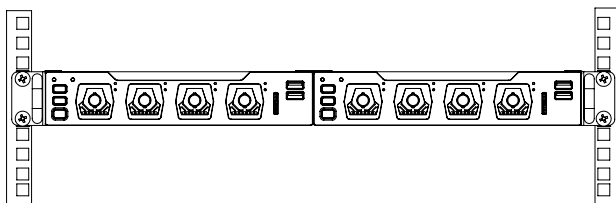
5. Mount the assembled instrument and rack into a standard 19-inch cabinet by using four M6x16 phillips pan head screws and four M6 square lock cage nuts.



6. Use four M6x16 phillips pan head screws and four M6 square lock cage nuts to secure the two rear hanging ears to the rack. Then use four M4x8 phillips pan head screws to secure the left side beam of Instrument A to the rear hanging ear; use four M4x8 phillips pan head screws to secure the right side beam of Instrument B to another rear hanging ear.



7. The following figure shows the front view of the successful rack mount installation for two instruments.



-End-

Usage Requirement for Rack Mount Installation into the Cabinet

Working Environment

Temperature

Operating: -40°C to +30°C

Non-operating: -50°C to +70°C

Humidity

- Operating:

Below +30°C: ≤90%RH (without condensation)

+30°C to +40°C: ≤75%RH (without condensation)

+40°C to +50°C: ≤45%RH (without condensation)

- Non-operating:

Below 65°C: ≤90% RH (without condensation)

Ventilation Requirement

This oscilloscope uses a fan to force cooling. Please make sure that the air intake and exhaust areas are free from obstructions and have free air. When using it in rack setting, keep at least 1 m clearance from the surroundings of the cabinet. When running in the cabinet, keep it run in the room temperature at 30°C.

Cabinet Diagram

