

ZES Sensors and Accessories

**for precision power meters
LMG series 90/310/95/450/500**

ZES current and voltage sensors and accessories

This data book is the technical documentation of the current and voltage sensors from ZES ZIMMER Electronic Systems GmbH to enlarge the measuring ranges of the power meters series LMG.

The first section of this paper gives an survey of all ZES current sensors and the safety precautions. Selection table and several arguments should help you to find a suitable sensor family or fill out the support request form. The second section is about the general current sensors, which you can use with every precision power meter of the LMG series. In the following sections the special sensors, wiring cables and accessories for the different precision power meters are described. Then you find a chapter with the precision high voltage divider for meters of the LMG series. The last section with frequently asked questions will help you to optimize the accuracy and give you some hints for the usage of our sensors.

But in all cases if you need more information or detailed support for your application please don't hesitate to contact us, the engineers of ZES ZIMMER will help you.

© Copyright 2014. No part of this document may be reproduced, in any form or by any means, without the permission in writing from ZES ZIMMER Electronic Systems GmbH.

We reserve the right to implement technical changes at any time, particularly where these changes will improve the performance.

- Headquarter Germany:
ZES ZIMMER Electronic Systems GmbH
Tabaksmühlenweg 30
D-61440 Oberursel (Taunus), Germany
phone ++49 (0)6171 628750
fax ++49 (0)6171 52086
email: sales@zes.com
internet: <http://www.zes.com>
- Subsidiary USA:
ZES ZIMMER Inc.
2850 Thornhills Ave. SE
Suite 114
Grand Rapids, MI 49546, USA
phone +1 760 550 9371
email: usa@zes.com
internet: <http://www.zes.com>

Content

1 Introduction.....	6
1.1 Safety precautions	6
1.2 Selection table - current sensors	9
1.3 Selection table - voltage sensors.....	11
1.4 Advantages and disadvantages of different current sensor types	13
1.5 Support request	15
2 Current sensors	17
2.1 Active error compensated AC - current clamp 40A (LMG-Z406/-Z407)	17
2.2 AC - current clamp 200A/0.2A (LMG-Z326)	20
2.3 AC - current clamp 200A/1A (LMG-Z325)	22
2.4 AC - current clamp 1000A/1A (LMG-Z322)	24
2.5 Error compensated AC - current clamp 1000A (L45-Z10/-Z11)	26
2.6 DC - current clamp 1000A (L45-Z26).....	28
2.7 AC - current clamp 3000A/1A (LMG-Z329)	30
2.8 Error compensated AC - current clamp 3000A (L45-Z16/-Z17)	33
2.9 Precision current transformer 1500A (LMG-Z502,-Z505,-Z510,-Z520)	36
2.10 Precision current transformer 4000A (LMG-Z542,-Z545,-Z550)	40
2.11 Precision current transformer 10kA (LMG-Z562, -Z570)	43
2.12 Precision current transformer 10kA (LMG-Z582, -Z590)	46
2.13 Precision current transducer 200A (PCT200)	49
2.14 Precision current transducer 600A (PCT600)	56
2.15 Precision current transducer 60A (PSU60)	63
2.16 Precision current transducer 200A (PSU200)	70
2.17 Precision current transducer 200A (PSU200HF)	77
2.18 Precision current transducer 400A (PSU400)	83
2.19 Precision current transducer 600A (PSU600)	90
2.20 Precision current transducer 700A (PSU700)	99
2.21 Precision current transducer 1000A (PSU1000HF)	106
2.22 Precision current transducer 2/5kA (SATB2000,-5000).....	112
2.23 Hall current sensors, 50/100/200A (L45-Z28-HALLxx)	121
2.24 Hall current sensors, 300/500/1k/2kA (L45-Z29-HALLxx).....	124
2.25 Hall current sensors, 300/500/1k/2kA (L50-Z29-HALLxx).....	128
2.26 Rogowski flex sensors (L45-Z32-FLEXxx).....	131
2.27 HF-summing current transformer (L95-Z06)	134
2.28 Highvoltage HF-summing current transformer (L95-Z06-HV)	139
2.29 Low current shunt (LMG-SHxx)	144
2.30 Low current shunt with overload protection (LMG-SHxx-P).....	149
2.31 Precision wideband current transformer WCT100 (LMG-Z601)	154
2.32 Precision wideband current transformer WCT1000 (LMG-Z602)	157

3	LMG95 connection cables and adapter	161
3.1	Adapter for the use of HD15-Sensors with LMG95 (L95-Z07)	161
3.2	PSU/PCT-K-L95	163
4	LMG450 connection cables and adapter	166
4.1	BNC adapter to sensor input HD15 without EEPROM (L45-Z09)	166
4.2	Adapter for isolated custom current sensors with 1A output (L45-Z22)	167
5	LMG500 connection cables and adapter	169
5.1	LMG500 current sensor adapter (L50-Z14)	169
6	Accessories	171
6.1	Shielded DSUB9 extension cable, male/female (LMG-Z-DVxx)	171
6.2	Sensor supply unit for up to 4 current sensors (SSU4)	172
6.3	Artificial mid point for multi phase power meters (LMG-Z-AMP).....	178
6.4	Adaptor for measurement at Schuko devices (LMG-MAS).....	179
6.5	Adaptor for measurement at IEC connector devices (LMG-MAK1).....	180
6.6	Adaptor for measurement at 16A/3phase devices (LMG-MAK3).....	181
6.7	Safety Grip for current and voltage connection (LMG-Z301)	183
6.8	DSUB25 Adapter for LMG process signal interfaces (L5-IOBOX-S/-F)	184
6.9	Adapter for incremental rotation speed encoders (L45-Z18).....	185
6.10	Adapter for incremental rotation speed encoders (L50-Z18).....	189
6.11	Synchronisation adapter with adjustable lowpass filter (L50-Z19)	193
6.12	Ethernet Adapter (L95-Z318, L45-Z318, L50-Z318, LMG-Z318)	195
6.13	USB-RS232 Adapter (LMG-Z316).....	201
6.14	IEEE488 bus cable (LMG-Z312 /-Z313 /-Z314)	203
6.15	RS232 interface cable (LMG-Z317)	204
6.16	Safety laboratory leads (LMG-Z307/308).....	205
7	Voltage sensors	207
7.1	Precision high voltage divider (HST3/6/9/12)	207
8	FAQ - frequently asked questions / Knowledge base	217
8.1	The Burden resistor	217
8.2	Example of an error calculation: general derivation	219
8.3	Example of an error calculation: LMG500 with external shunt.....	223
8.4	Example of an error calculation: LMG500 with HST3.....	224
8.5	Phase correction of current transducers with LMG500.....	225
8.6	Multiple external sensors in a test bench with LMG450 / LMG500	227
8.7	Avoid distortion when using external sensors in noisy environment	229
8.8	Range extension by changing primary ratio at current sensors.....	231
8.9	Range extension by external Shunt and direct current input I^*/I	232
8.10	Avoid measuring errors due to shield currents.....	233

8.11 Hints for wiring current transformers or HST to LMG.....	234
---	-----

1 Introduction

1.1 Safety precautions








The following precautions are recommended to insure your safety and to provide the best conditions for the instruments.


- When using voltage or current transformers please regard the applicable safety standards (earthing, isolation, ...)!
- The installation of powermeter and current sensors may be accomplished only by trained technical personnel!
- When operating the powermeter, current- and voltage sensors, certain parts can carry hazardous voltage (e.g. primary busbar, power supply). Ignoring this warning can lead to injury and/or cause serious damage.
- Read the user manual carefully and respect the safety precautions!
- Do not use these products in medical-related or any other equipment that may have a potential effect on human lives.
- Always observe the operating conditions and environmental requirements as indicated in this documentation when operating the product.
- Do not exceed the maximum specified voltage or current or use outside its measurement category.
- Always check the condition of the case and leads before use. Never operate the unit if it has a damaged cord or plug, if it is not working properly, or if it has been dropped or damaged or dropped into water.
- Avoid severe impacts or rough handling that could damage the instrument.
Do not place any heavy object on the instrument.
- Keep the instruments away from water and other liquids.
- Use electrostatic discharge precautions while handling and making connections to the instrument.
- Do not block or obstruct the ventilation openings.

- Use suitable connection cables. Different current sensors have unique connection cables for each different precision power meter LMG. For example: the connection cable between PSU200 and LMG500 'PSU200-K-L50' is neither suitable for PSU600 nor for LMG450.
- To avoid the risk of electrical shock, do not disassemble or attempt to repair the unit. Incorrect repair can cause risk of electrical shock or injury to persons when unit is used. For all repairs please return the devices to your distributor or to ZES ZIMMER Electronic Systems.
- Do not touch energized circuits.
- The power meter with its voltage and current sensors is not designed to detect hazards or similar! A wrong reading (e.g. by choosing a wrong filter or range) could give you the wrong impression of a safe state. Use appropriate tools instead of this instrument to detect dangerous situations.

1.1.1 Terms and symbols

These terms and symbols may appear in this manual or on the product.

	Warning, risk of danger! Refer to the operating instructions before using the device. In these operating instructions, failure to follow or carry out instructions preceded by this symbol may result in personal injury or damage to the device.
	Caution, risk of electric shock
	Earth (ground) terminal
	Protective conductor terminal
	Equipment protected throughout by double insulation or reinforced insulation.
	Application around and removal from hazardous live conductors is permitted.
	Do not apply around or remove from hazardous live conductors.

	<p>This symbol indicates that this product is to be collected separately. This product is designated for separate collection at an appropriate collection point. Do not dispose of as household waste. For more information, contact the retailer or the local authorities in charge of waste management.</p>
---	---

1.1.2 Definition of measurement categories

- Measurement category IV corresponds to measurements taken at the source of low voltage installations.
- Measurement category III corresponds to measurements on building installations.
- Measurement category II corresponds to measurements taken on circuits directly connected to low voltage installations.
- Measurement category I corresponds to measurements taken on circuits not directly connected to mains.

1.2 Selection table - current sensors

Sensor name	lower corner freq.	upper corner freq.	basic accuracy	current range	primary connection	L 95 / e	L 45	L 50	typical applications
Current clamps									
LMG-Z326	40Hz	10kHz	0.8%	200A	clamp on	x	-	x	general purpose
LMG-Z325	40 Hz	5kHz	2%	200A	clamp on	x	-	x	general purpose
LMG-Z322	30Hz	10kHz	0.5%	1000A	clamp on	x	x	x	general purpose
LMG-Z329	45Hz	5kHz	0.5%	3000A	clamp on	x	x	x	general purpose
LMG-Z406/-Z407	5Hz	50kHz	0.2%	40A	clamp on	x	x	x	frequency inverter output
L45-Z10/-Z11	2Hz	40kHz	0.15%	1000A	clamp on	x	x	x	frequency inverter output
L45-Z16/-Z17	5Hz	10kHz	0.15%	3000A	clamp on	x	x	x	frequency inverter output
L45-Z26	DC	2kHz	1.6%	1000A	clamp on	x	x	x	the only clamp on solution for DC applications
Rogowski clamps									
L45-Z32-Flex500	10Hz	5kHz	1.1%	500A	clamp on	x	x	x	50Hz power quality, very flexible clamp on
L45-Z32-Flex1000	10Hz	5kHz	1.1%	1000A	clamp on	x	x	x	50Hz power quality, very flexible clamp on
L45-Z32-Flex3000	10Hz	5kHz	1.1%	3000A	clamp on	x	x	x	50Hz power quality, very flexible clamp on
Precision Transformer									
LMG-Z502	15Hz	5kHz	0.02%	1500A	feed through	x	x	x	high current, no DC, very high precision
LMG-Z505	15Hz	5kHz	0.05%	1500A	feed through	x	x	x	high current, no DC, very high precision
LMG-Z510	15Hz	5kHz	0.1%	1500A	feed through	x	x	x	high current, no DC, high precision
LMG-Z520	15Hz	5kHz	0.2%	1500A	feed through	x	x	x	high current, no DC, high precision
LMG-Z542	15Hz	5kHz	0.02%	4000A	feed through	x	x	x	high current, no DC, very high precision
LMG-Z545	15Hz	5kHz	0.05%	4000A	feed through	x	x	x	high current, no DC, very high precision

Sensor name	lower corner freq.	upper corner freq.	basic accuracy	current range	primary connection	L 95 / e	L 45	L 50	typical applications
LMG-Z550	15Hz	5kHz	0.1%	4000A	feed through	x	x	x	high current, no DC, high precision
LMG-Z562	15Hz	5kHz	0.02%	10kA	feed through	x	x	x	high current, no DC, high precision
LMG-Z570	15Hz	5kHz	0.1%	10kA	feed through	x	x	x	high current, no DC, high precision
LMG-Z582	15Hz	5kHz	0.02%	10kA	feed through	x	x	x	high current, no DC, high precision, for huge primary busbars
LMG-Z590	15Hz	5kHz	0.1%	10kA	feed through	x	x	x	high current, no DC, high precision, for huge primary busbars

Precision current transducer

PCT200	DC	1MHz	0.01%	200A / 300Apk	feed through	-	x	x	applications with DC current, extremely high precision, high bandwidth, specification at full frequency range
PCT600	DC	100kHz	0.01%	600A / 900Apk	feed through	-	x	x	applications with DC current, extremely high precision, high bandwidth, specification at full frequency range

Current transducer Hall

L45-Z28-Hall50	DC	200kHz	0.9%	50A	feed through	x	x	x	frequency inverter output, frequency inverter DC link, low cost
L45-Z28-Hall100	DC	200kHz	0.7%	100A	feed through	x	x	x	frequency inverter output, frequency inverter DC link, low cost
L45-Z28-Hall200	DC	100kHz	0.65%	200A	feed through	x	x	x	frequency inverter output, frequency inverter DC link, low cost
L45-Z29-Hall300	DC	100kHz	0.4%	300A	feed through	x	x	-	frequency inverter output, frequency inverter DC link, low cost
L45-Z29-Hall500	DC	100kHz	0.8%	500A	feed through	x	x	-	frequency inverter output, frequency inverter DC link, low cost
L45-Z29-Hall1000	DC	150kHz	0.4%	1000A	feed through	x	x	-	frequency inverter output, frequency inverter DC link, low cost

Sensor name	lower corner freq.	upper corner freq.	basic accuracy	current range	primary connection	L 95 / e	L 45	L 50	typical applications
L45-Z29-Hall2000	DC	100kHz	0.3%	2000A	feed through	x	x	-	frequency inverter output, frequency inverter DC link, low cost
L50-Z29-Hall300	DC	100kHz	0.4%	300A	feed through	-	-	x	frequency inverter output, frequency inverter DC link, low cost
L50-Z29-Hall500	DC	100kHz	0.8%	500A	feed through	-	-	x	frequency inverter output, frequency inverter DC link, low cost
L50-Z29-Hall1000	DC	150kHz	0.4%	1000A	feed through	-	-	x	frequency inverter output, frequency inverter DC link, low cost
L50-Z29-Hall2000	DC	100kHz	0.3%	2000A	feed through	-	-	x	frequency inverter output, frequency inverter DC link, low cost

High frequency sensors

L95-Z06 L95-Z06HV	5kHz	500kHz	0.5%	15A	terminal	x	-	x	summing current transducer, lighting applications, ultrasonic
LMG-Z601	30Hz	1MHz	0.25%	100A	feed through	x	(x)	x	very high frequency applications, avionics, ultrasonic

External shunt, low current

LMG-SHxx	DC	100kHz	0.15%	select uA-1A	terminal	x	no!	x	very low current
LMG-SHxx-P	DC	10kHz	0.15% 0.3%	select uA-0.5A	terminal	x	no!	x	50Hz standby current, overload protection 20A for 1 minute

1.3 Selection table - voltage sensors

Sensor name	lower corner freq.	upper corner freq.	basic accuracy	voltage range	primary connection	L 95	L 45	L 50	typical applications
High voltage divider HST									
HST3	DC	300kHz	0.05%	3kV	volt. lead	x	x	x	general purpose
HST6	DC	300kHz	0.05%	6kV	volt. lead	x	x	x	general purpose
HST9	DC	300kHz	0.05%	9kV	volt. lead	x	x	x	general purpose

Sensor name	lower corner freq.	upper corner freq.	basic accuracy	voltage range	primary connection	L 95	L 45	L 50	typical applications
HST12	DC	300kHz	0.05%	12kV	volt. lead	x	x	x	general purpose

1.4 Advantages and disadvantages of different current sensor types

This section should give you a help to choose the best sensor for your application. First of all you should know that the exactest measurement you can do is to use the direct inputs of the meter. The errors of the phase shift and the delay of the channels are optimised for a precise power measurement. If you must use an external sensor you should know the following points about the different kinds of the sensors:

Precision current transducer PCT

- extremely high DC accuracy, best linearity
- extremely high accuracy at 50/60Hz
- high bandwidth, accuracy specified over full frequency range
- shielded housing, good immunity against frequency inverter emissions
- good cooling, large temperature range
- the circuit to be measured has to be opened to mount the PCT sensor

DC current clamps:

- easy to use, the sensor can be clamped on the circuit to be measured without interrupting the circuit
- small bandwidth, low accuracy

AC current clamps:

- easy to use, the sensor can be clamped on the circuit to be measured without interrupting the circuit
- small bandwidth, medium accuracy, no DC measurement

Rogowski flex sensors:

- easy to use, especially if few space is available, the sensor can be clamped on the circuit to be measured without interrupting the circuit
- medium bandwidth, low accuracy, no DC measurement

Error compensated AC current clamps:

- easy to use, the sensor can be clamped on the circuit to be measured without interrupting the circuit
- medium bandwidth, high accuracy, no DC measurement

Precision current transformers Z5xx:

- very high accuracy
- the circuit to be measured has to be opened and then connected to the transformer
- small bandwidth, no DC measurement

Current transducer Hall:

- low cost
- medium to high bandwidth, medium accuracy, low DC measurement accuracy
- the circuit to be measured has to be opened to mount the Hall sensor

External shunts:

- very exact measurement on high frequencies, small phase error
- no galvanic isolation
- especially at high currents significant power losses and errors due to self-heating
- very small burden voltage at high voltage potential may cause differential input errors

Precision wideband current transformer WCT:

- best bandwidth, excellent power accuracy because of low phase error
- galvanic separation, user defined isolation with isolated primary measuring line
- good reliability with passive design, no power supply needed
- no DC measurement

1.5 Support request

If you need help finding the best suitable current sensors for your application, please don't hesitate to contact ZES, the engineers will help you. Please fill out this fax form (two pages!) and send it to **+49 6171 52086** or describe the following points in an email send to **sales@zes.com**.

name -----
 company -----
 street -----
 city, country -----
 phone, fax -----
 email -----
 project name -----

1	current range:	
1.1	lowest current to measure (Irms)?	
1.2	maximum current to measure (Irms, Ipeak)?	
2	overload: (not to be measured, only withstand)	
2.1	peak current and duration? or	
2.2	rms current, frequency and duration?	
3	frequency range, bandwidth:	
3.1	lowest frequency to measure? DC?	
3.2	maximum frequency to measure?	
3.3	you know about the wave shape (dc, sin, square, pulse)?	
3.4	di/dt to be followed exactly (A/us)?	
3.5	ripple (Apeak-peak), ripple frequency?	
3.6	optionally: please provide a graphic sketch of your signal	
4	which accuracy at which current value and frequency is aspired?	

5	which type of connection is applicable:	
5.1	clamp on, feed through or terminal?	
5.2	min. L__mm x W__mm or diameter __mm?	
5.3	any other mechanical requirements?	
6	are there restrictions on the inserted impedance in the current path?	
7	at which working voltage does the current sensor operate:	
7.1	working voltage against earth (Utrms, Upeak, CAT__, frequency)?	
7.2	nominal voltage between phases?	
7.3	current measurement at low voltage return or at high voltage potential?	
7.4	du/dt applied on primary?	
8	which type of application will be measured?	
9	you know the approximatly power factor ?	
10	combined with which type of power meter :	
10.1	LMG90/310/95/450/500?	
10.2	other instrument?	
11	environmental conditions:	
11.1	temperature range?	
11.2	pollution degree?	
12	additional requirements? comments?	

2 Current sensors

2.1 Active error compensated AC - current clamp 40A (LMG-Z406/-Z407)

(LMG-Z407 is a set of 4x LMG-Z406)

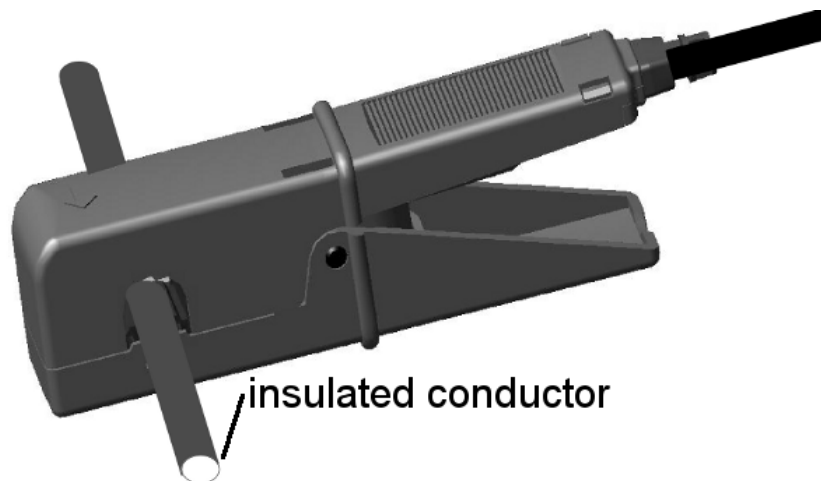


Figure 1: LMG-Z406/-Z407

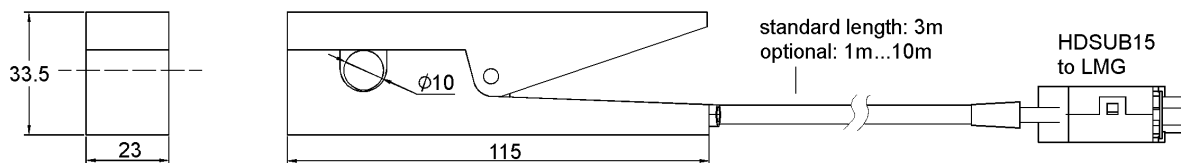


Figure 2: Dimensions of the LMG-Z406/-Z407

2.1.1 Safety warning!

No safety isolation, measurements only at insulated conductors allowed!

Always connect the sensor first to the meter, and afterwards to the device under test.

Connecting cable without safety isolation! Avoid contact to hazardous voltage!

Please refer to chapter 1.1: 'Safety precautions'!

2.1.2 Specifications

Nominal input current	40A
Max. trms value	80A
Measuring range current clamp	120A _{pk}
Maximum input, overload capability	500A for 1s
Bandwidth	5Hz to 50kHz

Isolation	bare conductor: phase/ground 30Veff insulated conductor: see cable spec.
Degree of pollution	2
Temperature range	-10°C to +50°C
Weight	120g
Output connection	HD15 (with EEPROM) for LMG sensor input

With its high basic accuracy, the lower cut-off frequency of 5Hz and the upper cut-off frequency of 50kHz this clamp fits best for measurements at frequency inverter output. The internal error compensation circuit is designed especial for this application.

2.1.3 Accuracy

Accuracies based on: sinusoidal current, ambient temperature $23\pm 3^{\circ}\text{C}$, calibration interval 1 year, conductor in the middle of the clamp. The values are in \pm (% of measuring value + % of measuring range current clamp) and in \pm (phase error in degree)

Influence of coupling mode: This current clamp can transfer only AC currents. The compensation circuit may cause a DC signal which is interpreted by the instrument as a DC current. This could cause additional errors. Therefore this clamp should only be used with the LMG setting: AC coupling. The accuracies are only valid for this case.

Frequency	5Hz to 10Hz	10Hz to 45Hz	45Hz to 65Hz	65Hz to 1kHz	1kHz to 5kHz	5kHz to 20kHz	20kHz to 50kHz
Current	1.5+0.25	0.4+0.15	0.15+0.05	0.15+0.05	0.3+0.15	1+0.25	4+0.5
Phase	6	3	0.5	0.5	2	6	20

Use LMG-Z406/-Z407 and LMG specifications to calculate the accuracy of the complete system.

2.1.4 Ordering guide

The current clamp LMG-Z406 is available in a package with 4 clamps, it is called LMG-Z407.

The standard connection length is 3m. Optionally can be ordered a custom defined length between 1m .. 10m.

2.1.5 Sensor operation without supply

It is important to assure a stable power supply of the sensor before switching on the load current! The **operation** of the sensor with load current and **without supply will cause damage** of the sensor and/or of the LMG.

2.1.6 Connection of the sensor with LMG90/310

The use with LMG90 and LMG310 is not possible.

2.1.7 Connection of the sensor with LMG95

Use L95-Z07, internal supply via LMG and the Isensor/external shunt input. Set LMG current scaling factor appropriate to the scaling factor marked on the label on L95-Z07.

2.1.8 Connection of the sensor with LMG450

Use the sensor input, you get the following ranges:

nominal value	1.25A	2.5A	5A	10A	20A	40A
max. trms value	2.5A	5A	10A	20A	40A	80A
max. peak value	3.75A	7.5A	15A	30A	60A	120A

2.1.9 Connection of the sensor with LMG500

Use L50-Z14, you get the following ranges:

nominal value	0.3A	0.6A	1.25A	2.5A	5A	10A	20A	40A
max. trms value	0.6A	1.25A	2.5A	5A	10A	20A	40A	80A
max. peak value	0.94A	1.88A	3.75A	7.5A	15A	30A	60A	120A

2.2 AC - current clamp 200A/0.2A (LMG-Z326)

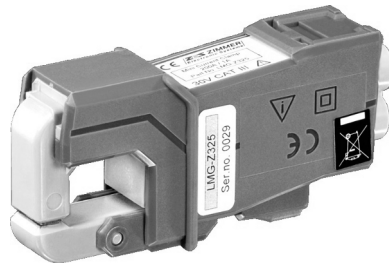


Figure 3: LMG-Z326

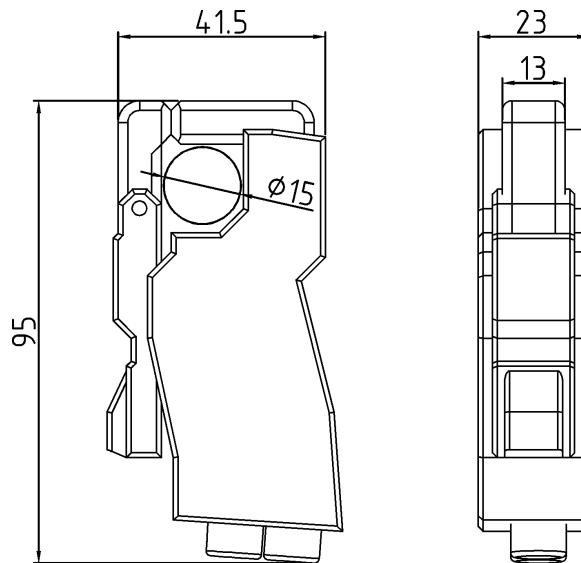


Figure 4: Dimensions of the LMG-Z326

2.2.1 Safety warning!

No safety isolation, measurements only at insulated conductors allowed!

Always connect the sensor first to the meter, and afterwards to the device under test.

Please refer to chapter 1.1: 'Safety precautions'!

2.2.2 Specifications

Nominal input current	200A
Transformation ratio	1000:1
Measuring range	600A
Maximum input	600A for 3min
Bandwidth	40Hz to 10kHz
Burden	1 to 10 ohms
Isolation	bare conductor: phase/ground 30Veff insulated conductor: see cable spec.

Degree of pollution	2
Temperature range	-10°C to +50°C
Weight	105g
Output connection	2 safety sockets for 4mm plugs

2.2.3 Accuracy

Accuracies based on: sinusoidal current, ambient temperature $23\pm 3^{\circ}\text{C}$, calibration interval 1 year, conductor in the middle of the clamp, signal frequency 50..60 Hz.

Current	Amplitude error \pm (% of measuring value)	Phase error
1A to 10A	3	not specified
10A to 25A	2	2°
25A to 600A	1	1°

Use LMG-Z326 and LMG specifications to calculate the accuracy of the complete system.

2.2.4 Sensor operation without connection to LMG

It is important to assure a good connection from the sensor to the LMG before switching on the load current! The **operation** of the sensor with load current and **without connection to the LMG will cause damage** of the sensor and is **dangerous** for the user!

2.2.5 Connection of the sensor with LMG90/310 or other instruments with current input

Use direct current inputs I* and I.

2.2.6 Connection of the sensor with LMG95

Use direct current inputs I* and I.

2.2.7 Connection of the sensor with LMG450

Use direct current inputs I* and I.

2.2.8 Connection of the sensor with LMG500

Use direct current inputs I* and I.

2.3 AC - current clamp 200A/1A (LMG-Z325)

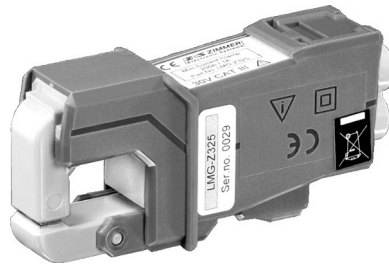


Figure 5: LMG-Z325

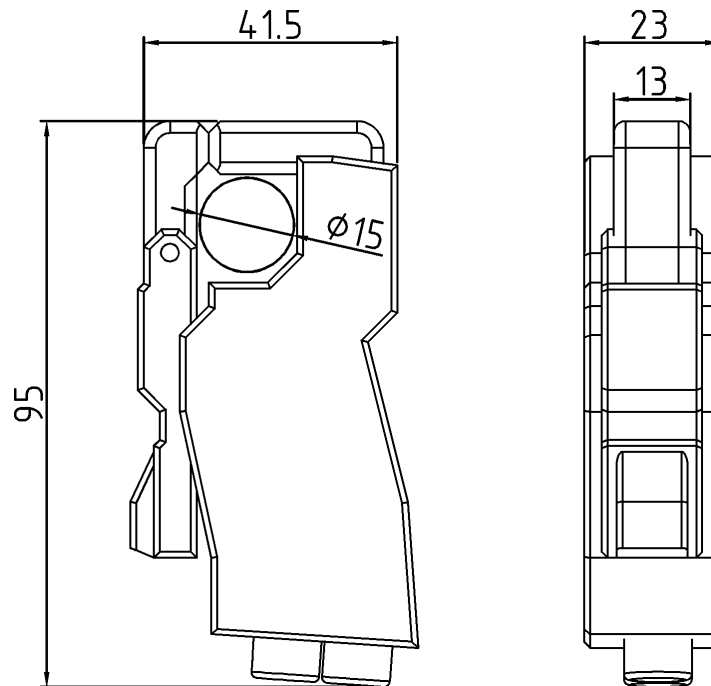


Figure 6: Dimensions of the LMG-Z325

2.3.1 Safety warning!

No safety isolation, measurements only at insulated conductors allowed!

Always connect the sensor first to the meter, and afterwards to the device under test.

Please refer to chapter 1.1: 'Safety precautions'!

2.3.2 Specifications

Nominal input current	200A
Transformation ratio	200:1
Measuring range	250A
Maximum input	250A for 3min
Bandwidth	40Hz to 5kHz

Burden	1 to 2 ohms
Isolation	bare conductor: phase/ground 30Veff insulated conductor: see cable spec.
Degree of pollution	2
Temperature range	-10°C to +50°C
Weight	115g
Output connection	safety sockets for 4mm plugs

2.3.3 Accuracy

Accuracies based on: sinusoidal current, ambient temperature $23\pm 3^{\circ}\text{C}$, conductor in the middle of the clamp, signal frequency 50..60 Hz.

Current	Amplitude error \pm (% of measuring value)	Phase error
5A to 10A	3	not specified
10A to 25A	2	2.5°
25A to 250A	1	1°

Use LMG-Z325 and LMG specifications to calculate the accuracy of the complete system.

2.3.4 Sensor operation without connection to LMG

It is important to assure a good connection from the sensor to the LMG before switching on the load current! The **operation** of the sensor with load current and **without connection to the LMG will cause damage** of the sensor and is **dangerous** for the user!

2.3.5 Connection of the sensor with LMG90/310 or other instruments with current input

Use direct current inputs I* and I.

2.3.6 Connection of the sensor with LMG95

Use direct current inputs I* and I.

2.3.7 Connection of the sensor with LMG450

Use direct current inputs I* and I.

2.3.8 Connection of the sensor with LMG500

Use direct current inputs I* and I.

2.4 AC - current clamp 1000A/1A (LMG-Z322)

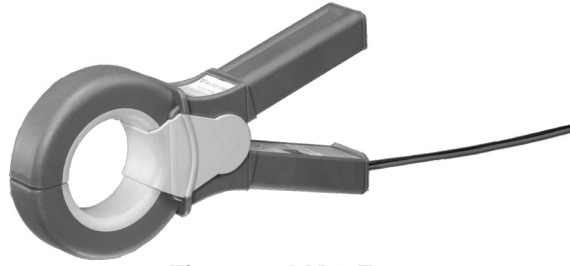


Figure 7: LMG-Z322

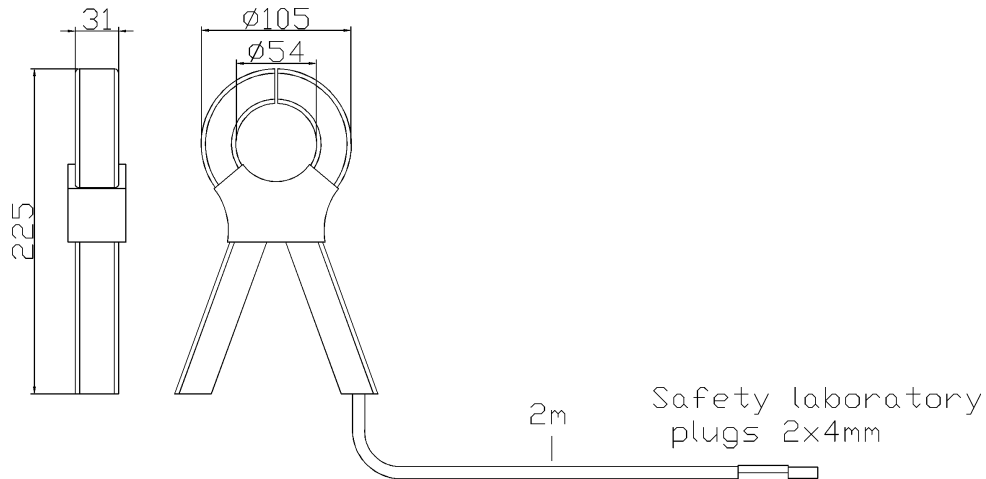


Figure 8: Dimensions of the LMG-Z322

2.4.1



Safety warning!

Always connect the sensor first to the meter, and afterwards to the device under test.
Please refer to chapter 1.1: 'Safety precautions'!

2.4.2 Specifications

Nominal input current	1000A
Transformation ratio	1000:1
Measuring range	1200A
Maximum input	1200A for 30min
Bandwidth	30Hz to 10kHz
Burden	<2.5VA
Protection class	600V CAT. III
Degree of pollution	2
Temperature range	-10°C to +50°C

Weight	650g
Output connection	2m fixed lead with safety plugs 4mm

2.4.3 Accuracy

Accuracies based on: sinusoidal current, ambient temperature $23\pm 3^{\circ}\text{C}$, calibration interval 1 year, conductor in the middle of the clamp, signal frequency 50..60 Hz.

Current	Amplitude error \pm (% of measuring value)	Phase error
10A to 200A	1.5%	2°
200A to 1000A	0.75%	0.75°
1000A to 1200A	0.5%	0.5°

Use LMG-Z322 and LMG specifications to calculate the accuracy of the complete system.

2.4.4 Sensor operation without connection to LMG

It is important to assure a good connection from the sensor to the LMG before switching on the load current! The **operation** of the sensor with load current and **without connection to the LMG will cause damage** of the sensor and is **dangerous** for the user!

2.4.5 Connection of the sensor with LMG90/310 or other instruments with current input

Use direct current inputs I* and I.

2.4.6 Connection of the sensor with LMG95

Use direct current inputs I* and I.

2.4.7 Connection of the sensor with LMG450

Use direct current inputs I* and I.

Alternative use L45-Z10/11 because of improved dynamic range with more ranges and better bandwidth.

2.4.8 Connection of the sensor with LMG500

Use direct current inputs I* and I.

Alternative use L45-Z10/11 because of improved dynamic range with more ranges and better bandwidth.

2.5 Error compensated AC - current clamp 1000A (L45-Z10/-Z11)

(L45-Z11 is a set of 4x L45-Z10)



Figure 9: L45-Z10/-Z11

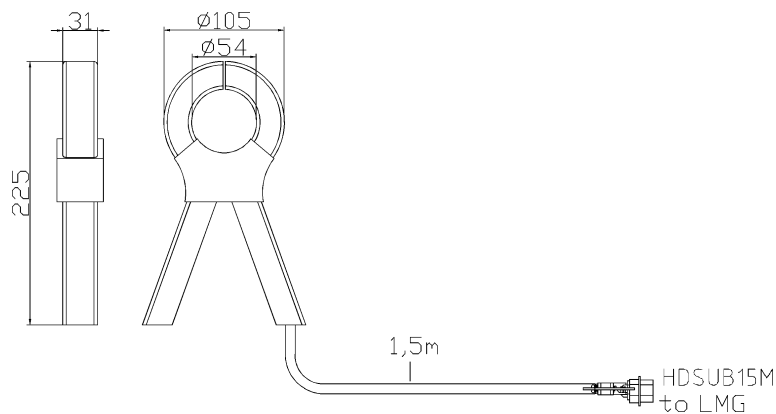


Figure 10: Dimensions of the L45-Z10/-Z11

2.5.1



Safety warning!

Always connect the sensor first to the meter, and afterwards to the device under test.
Connecting cable without safety isolation! Avoid contact to hazardous voltage!
Please refer to chapter 1.1: 'Safety precautions'!

2.5.2 Specifications

Nominal input current	1000A
Max. trms value	1200A
Measuring range current clamp	3000A _{pk}
Maximum input	1200A for 30min
Bandwidth	2Hz to 40kHz
Protection class	600V CAT. III
Degree of pollution	2
Temperature range	-10°C to +50°C
Weight	650g
Output connection	HD15 (with EEPROM) for LMG sensor input

2.5.3 Accuracy

Accuracies based on: sinusoidal current, ambient temperature $23\pm 3^{\circ}\text{C}$, calibration interval 1 year, conductor in the middle of the clamp.

The values are in \pm (% of measuring value + % of measuring range current clamp) and in \pm (phase error in degree)

Frequency	2Hz to 10Hz	10Hz to 45Hz	45Hz to 65Hz	65Hz to 1kHz	1kHz to 5kHz	5kHz to 10kHz	10kHz to 20kHz	20kHz to 40kHz
Current	0.7+0.2	0.2+0.05	0.1+0.05	0.1+0.05	0.3+0.05	0.4+0.1	0.5+0.2	2+0.4
Phase	5	1	0.3	0.3	1	2	5	30

Use L45-Z10 and LMG specifications to calculate the accuracy of the complete system.

Influence of coupling mode: This current clamp can transfer only AC currents. The compensation circuit may cause a DC signal which is interpreted by the instrument as a DC current. This could cause additional errors. Therefore this clamp should only be used with the LMG setting: AC coupling. The accuracies are only valid for this case.

2.5.4 Connection of the sensor with LMG90/310

The use with LMG90 and LMG310 is not possible.

2.5.5 Connection of the sensor with LMG95

Use L95-Z07, internal supply via LMG and the Isensor/external shunt input. Set LMG current scaling factor appropriate to the scaling factor marked on the label on L95-Z07.

2.5.6 Connection of the sensor with LMG450

Use sensor input, you get the following ranges:

nominal value	31.2A	62.5A	125A	250A	500A	1000A
max. trms value	37.5A	75A	150A	300A	600A	1200A
max. peak value	93.8A	188A	375A	750A	1500A	3000A

2.5.7 Connection of the sensor with LMG500

Use L50-Z14, you get the following ranges:

nominal value	7.5A	15A	30A	62.5A	125A	250A	500A	1000A
max. trms value	9.4A	18.8A	37.5A	75A	150A	300A	600A	1200A
max. peak value	23.4A	46.9A	93.8A	188A	375A	750A	1500A	3000A

2.6 DC - current clamp 1000A (L45-Z26)



Figure 11: L45-Z26

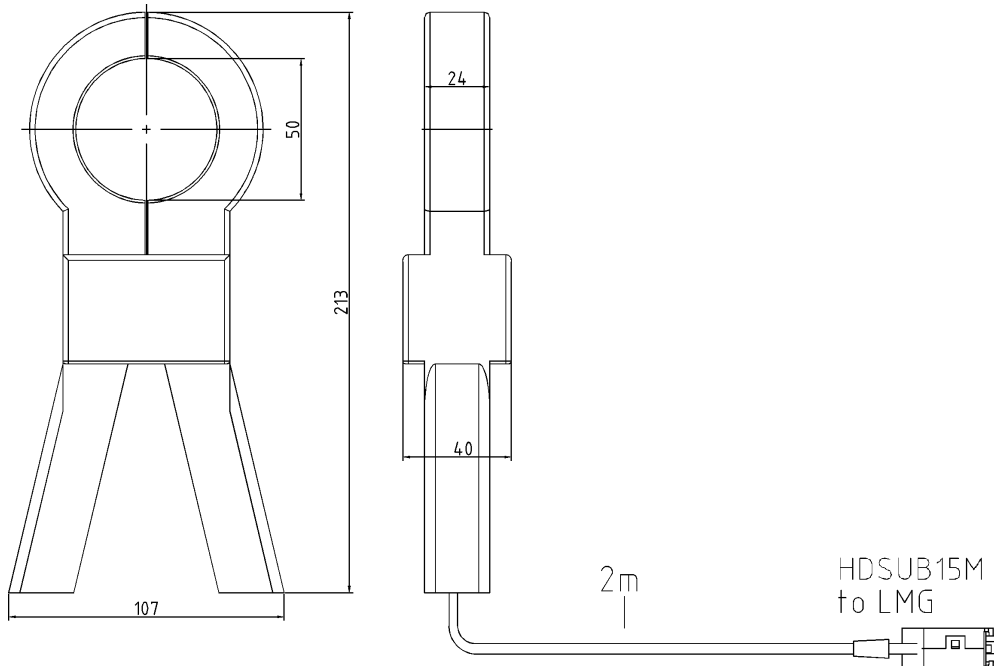


Figure 12: Dimensions of the L45-Z26

2.6.1 Safety warning!

Always connect the sensor first to the meter, and afterwards to the device under test. Connecting cable without safety isolation! Avoid contact to hazardous voltage! Please refer to chapter 1.1: 'Safety precautions'!

2.6.2 Specifications

Nominal input current	1000A
Max. trms value	1000A
Measuring range	1500A _{pk}
Maximum input	1500A
Bandwidth	DC to 2kHz
Protection class	600V CAT. III

Degree of pollution	2
Temperature range	-5°C to +50°C
Weight	0.6kg
Output connection	HD15 (with EEPROM) for LMG sensor input

2.6.3 Accuracy

Accuracies based on: sinusoidal current, ambient temperature $23\pm 3^{\circ}\text{C}$, calibration interval 1 year, conductor in the middle of the clamp.

The accuracy is valid only with manual zero adjustment at the DC-Clamp prior clamp on!

The values are in $\pm(\%$ of measuring value $+\%$ of nominal input current), phase in degree

Current	Amplitude error DC to 2kHz	Phase error at 45 to 66Hz	Phase error at 1kHz
10A to 1500A	1.5%+0.1%	$<0.3^{\circ}$	$<3^{\circ}$

Use L45-Z26 and LMG specifications to calculate the accuracy of the complete system.

2.6.4 Connection of the sensor with LMG90/310

The use with LMG90 and LMG310 is not possible.

2.6.5 Connection of the sensor with LMG95

Use L95-Z07, internal supply via LMG and the Isensor/external shunt input. Set LMG current scaling factor appropriate to the scaling factor marked on the label on L95-Z07.

2.6.6 Connection of the sensor with LMG450

Use sensor input, , internal supply via LMG, you get the following ranges:

nominal value	31.3A	62.5A	125A	250A	500A	1000A
max. trms value	31.3A	62.5A	125A	250A	500A	1000A
max. peak value	46.9A	93.8A	188A	375A	750A	1500A

2.6.7 Connection of the sensor with LMG500

Use L50-Z14, internal supply via LMG, you get the following ranges:

nominal value	7.8A	15.6A	31.3A	62.5A	125A	250A	500A	1000A
max. trms value	7.8A	15.6A	31.3A	62.5A	125A	250A	500A	1000A
max. peak value	11.7A	23.4A	46.9A	93.8A	188A	375A	750A	1500A

2.7 AC - current clamp 3000A/1A (LMG-Z329)

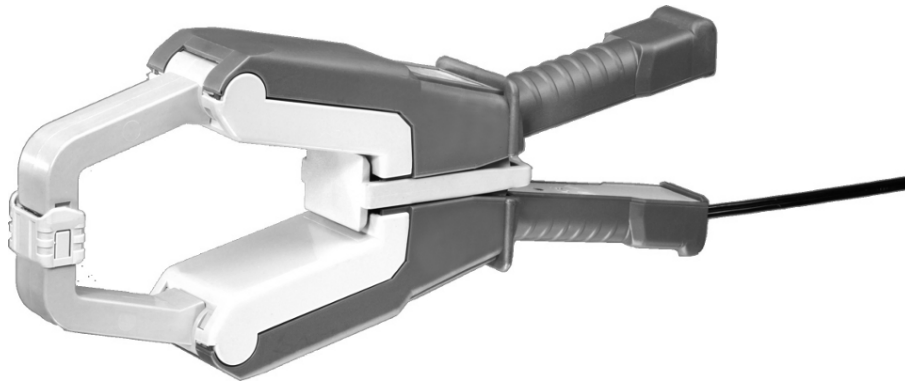


Figure 13: LMG-Z329

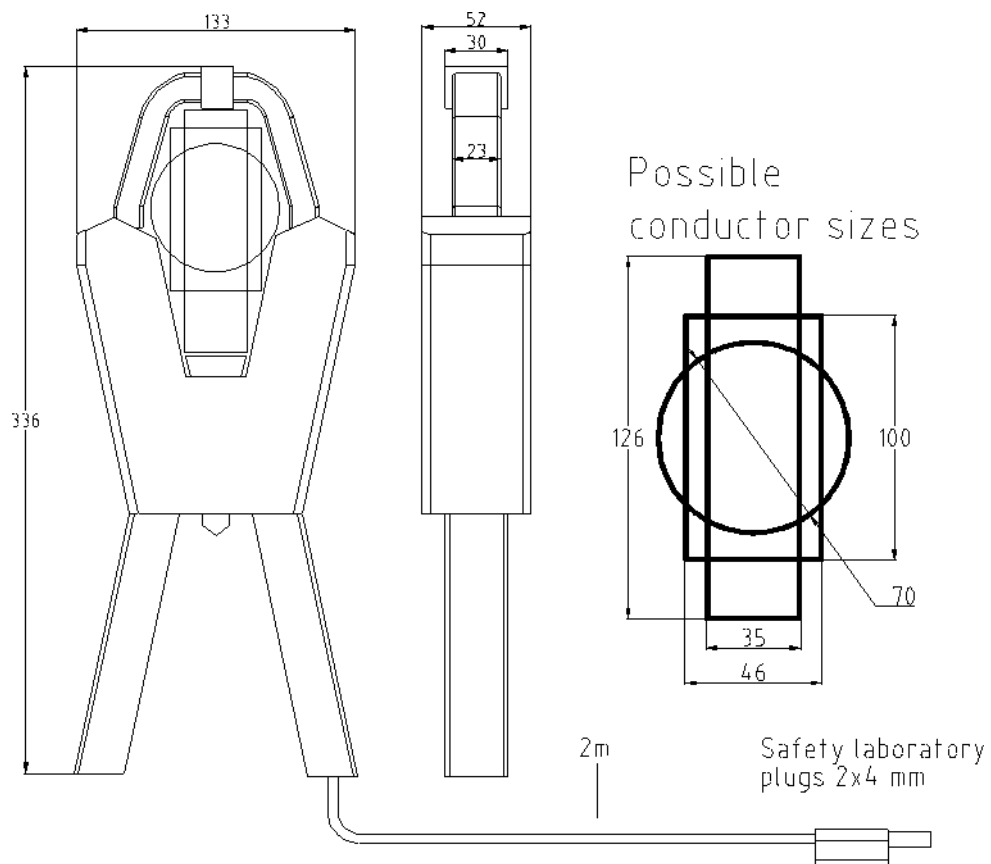


Figure 14: Dimensions of the LMG-Z329

2.7.1 Safety warning!

Always connect the sensor first to the meter, and afterwards to the device under test. Please refer to chapter 1.1: 'Safety precautions'!

2.7.2 Specifications

Nominal input current	3000A
-----------------------	-------

Transformation ratio	3000:1
Measuring range	3600A
Maximum input	6000A for 5min
Bandwidth	45Hz to 5kHz
Burden	<2.5VA
Protection class	600V CAT. III
Degree of pollution	2
Temperature range	-5°C to +50°C
Weight	1.6kg
Output connection	2m fixed lead with safety plugs 4mm

2.7.3 Accuracy

Accuracies based on: sinusoidal current, ambient temperature 23±3°C, calibration interval 1 year, conductor in the middle of the clamp, signal frequency 50..60 Hz.

Current	Amplitude error ±(% of measuring value)	Phase error
30A to 600A	1.5	2°
600A to 3000A	0.75	0.75°
3000A to 3600A	0.5	0.5°

Use LMG-Z329 and LMG specifications to calculate the accuracy of the complete system.

2.7.4 Sensor operation without connection to LMG

It is important to assure a good connection from the sensor to the LMG before switching on the load current! The **operation** of the sensor with load current and **without connection to the LMG will cause damage** of the sensor and is **dangerous** for the user!

2.7.5 Connection of the sensor with LMG90/310 or other instruments with current input

Use direct current inputs I* and I.

2.7.6 Connection of the sensor with LMG95

Use direct current inputs I* and I.

2.7.7 Connection of the sensor with LMG450

Use direct current inputs I^* and I .

Alternative use L45-Z16/17 because of improved dynamic range with more ranges and better bandwidth.

2.7.8 Connection of the sensor with LMG500

Use direct current inputs I^* and I .

Alternative use L45-Z16/17 because of improved dynamic range with more ranges and better bandwidth.

2.8 Error compensated AC - current clamp 3000A (L45-Z16/-Z17)

(L45-Z17 is a set of 4x L45-Z16)

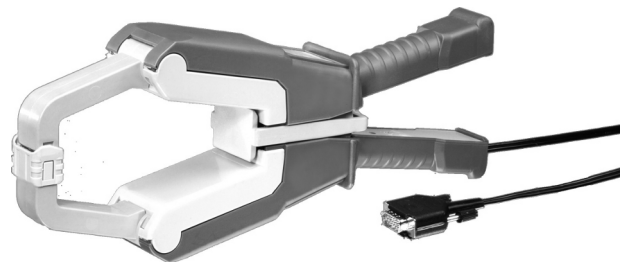


Figure 15: L45-Z16/-Z17

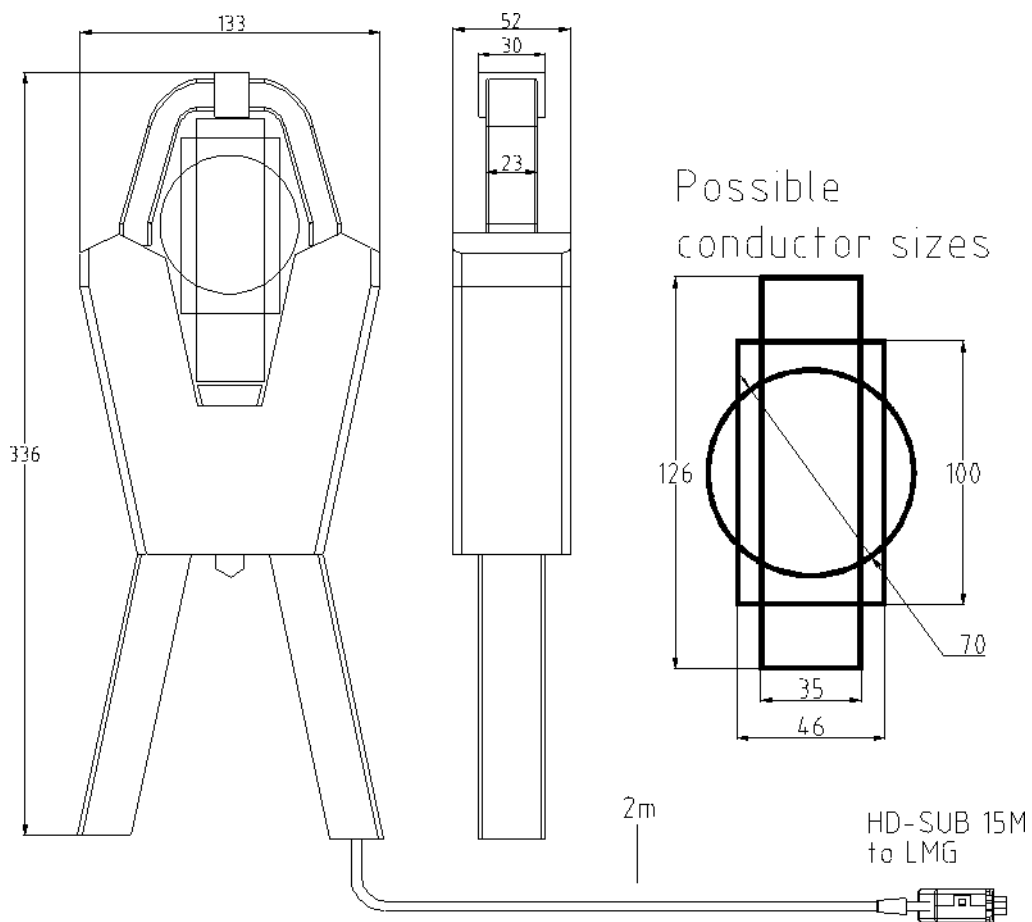


Figure 16: Dimensions of the L45-Z16/-Z17

2.8.1 Safety warning!

Always connect the sensor first to the meter, and afterwards to the device under test. Connecting cable without safety isolation! Avoid contact to hazardous voltage! Please refer to chapter 1.1: 'Safety precautions'!

2.8.2 Specifications

Nominal input current	3000A
Max. trms value	3600A
Measuring range current clamp	9000A _{pk}
Maximum input	6000A for 5min
Bandwidth	5Hz to 10kHz
Protection class	600V CAT. III
Degree of pollution	2
Temperature range	-5°C to +50°C
Weight	1,6kg
Output connection	HD15 (with EEPROM) for LMG sensor input

2.8.3 Accuracy

Accuracies based on: sinusoidal current, ambient temperature $23\pm 3^{\circ}\text{C}$, calibration interval 1 year, conductor in the middle of the clamp. The values are in $\pm(\%$ of measuring value + $\%$ of measuring range current clamp) and in $\pm(\text{ phase error in degree})$

Frequency/Hz	2Hz to 10Hz	10Hz to 45Hz	45Hz to 65Hz	65Hz to 1kHz	1kHz to 2.5kHz	2.5kHz to 5kHz	5kHz to 10kHz
Current	0.7+0.2	0.2+0.05	0.1+0.05	0.2+0.05	0.4+0.1	1+0.3	2+0.4
Phase	5	1	0.3	0.5	2	10	30

Use L45-Z16 and LMG specifications to calculate the accuracy of the complete system.

Influence of coupling mode: This current clamp can transfer only AC currents. The compensation circuit may cause a DC signal which is interpreted by the instrument as a DC current. This could cause additional errors. Therefore this clamp should only be used with the LMG setting: AC coupling. The accuracies are only valid for this case.

2.8.4 Connection of the sensor with LMG90/310

The use with LMG90 and LMG310 is not possible.

2.8.5 Connection of the sensor with LMG95

Use L95-Z07, internal supply via LMG and the Isensor/external shunt input. Set LMG current scaling factor appropriate to the scaling factor marked on the label on L95-Z07.

2.8.6 Connection of the sensor with LMG450

Use sensor input, you get the following ranges:

nominal value	100A	200A	400A	800A	1600A	3200A
max. trms value	113A	225A	450A	900A	1800A	3600A
max. peak value	281A	563A	1125A	2250A	4500A	9000A

2.8.7 Connection of the sensor with LMG500

Use L50-Z14, you get the following ranges:

nominal value	25A	50A	100A	200A	400A	800A	1600A	3200A
max. trms value	28A	56A	113A	225A	450A	900A	1800A	3600A
max. peak value	70A	141A	281A	563A	1125A	2250A	4500A	9000A

2.9 Precision current transformer 1500A (LMG-Z502,-Z505,-Z510,-Z520)



Figure 17: LMG-Z502, -Z505, -Z510, -Z520

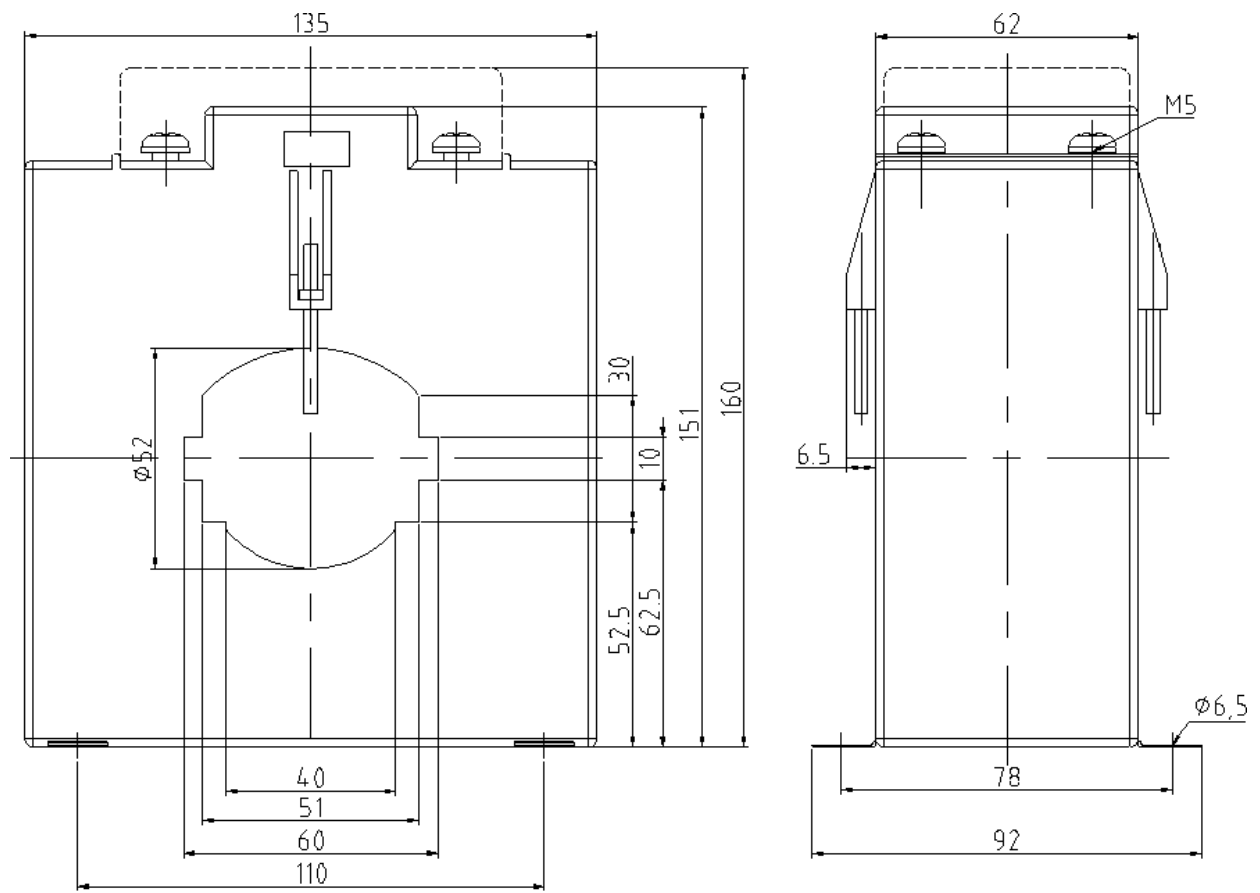


Figure 18: Dimensions in mm of LMG-Z502, -Z505, -Z510, -Z520

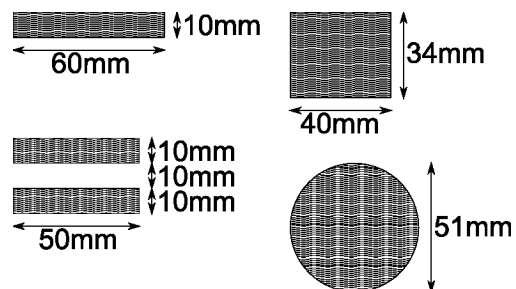


Figure 19: LMG-Z502, -Z505, -Z510, -Z520 suitable bus bars

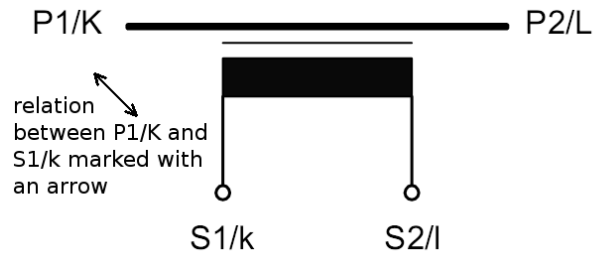


Figure 20: LMG-Z502, -Z505, -Z510, -Z520 connection diagram

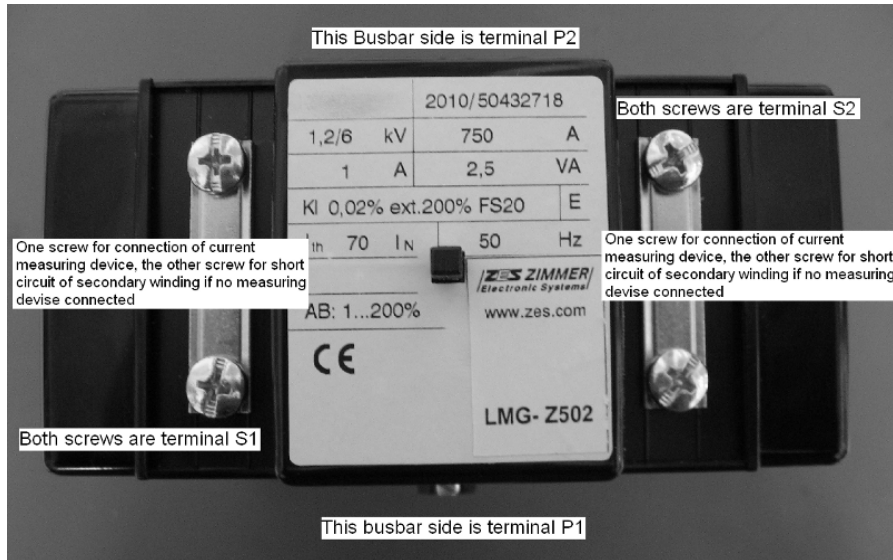


Figure 21: topview of LMG-Z502, -Z505, -Z510, -Z520

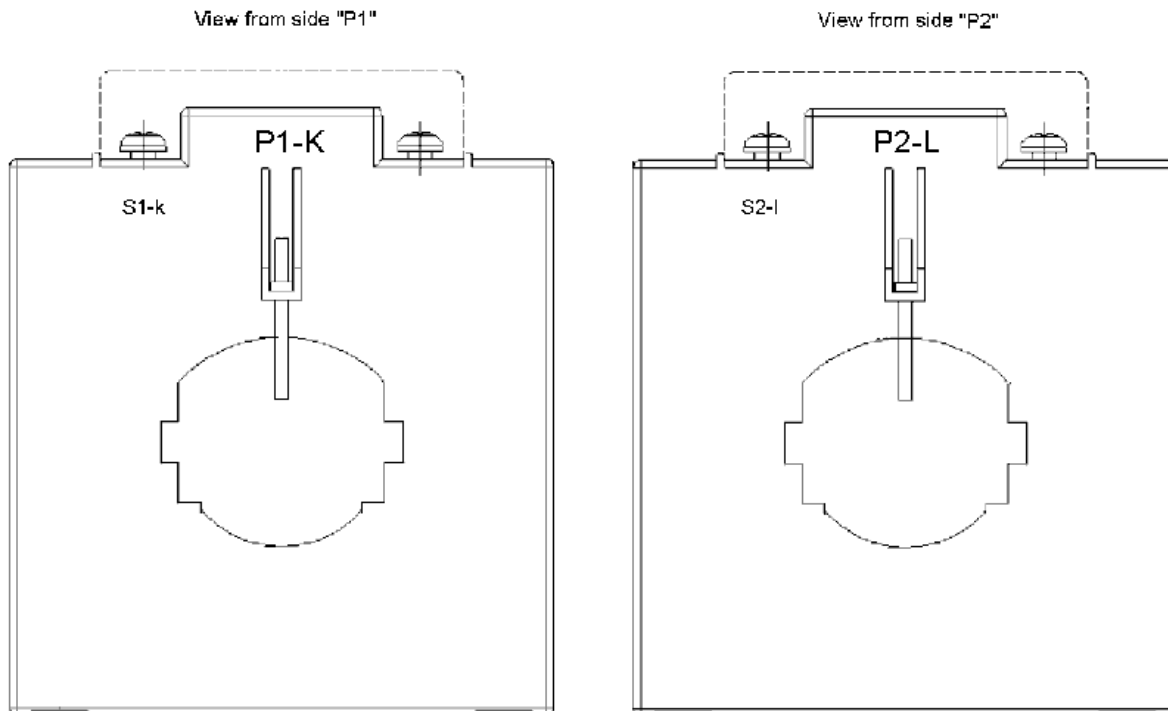


Figure 22: orientation of LMG-Z502, -Z505, -Z510, -Z520

2.9.1 Safety warning!

Always connect the sensor first to the meter, and afterwards to the device under test.
If no burden is connected, secondary terminals have to be short-circuited!
Please refer to chapter 1.1: 'Safety precautions'!

2.9.2 Specifications

Measuring range	1500A _{eff} continuous
Secondary current	2A _{eff}
Transformation ratio	750:1
Maximum input, overload	1650A _{eff} for 5min.
Rated short time thermal current for 1s	40kA
Bandwidth	15Hz to 5kHz
Burden impedance	1 to 2.5 ohms, cos(beta)=1
Protection class	600V CAT. III / 1000V CAT. II
Degree of pollution	2
Temperature range	-20°C to +50°C
Weight	2.5kg
Bus bar	1x 60mm x 10mm or 2x 50mm x 10mm or 1x 40mm x 34mm or round, diameter 51mm primary fixing device M4x40, slotted headless screw, max. 2Nm
Minimum center distance between adjacent bus bars	135mm
Output connection	screw terminals M5, Philips recessed head screw, max. 4mm ² (flexible) / 6mm ² (solid), tightening torque 3.5Nm

2.9.3 Accuracy

Accuracies based on: sinusoidal current, ambient temperature 23±3°C, calibration interval 1 year, conductor in the middle of the transformer, total burden impedance (including wiring and current path of LMG) between 1 and 2.5 ohms.

Amplitude error \pm (% of measuring value) / Phase error (at 48 to 66Hz)				
Current	Z502	Z505	Z510	Z520
7.5A to 37.5A	$\leq 0.05 / \leq 0.1^\circ$	$\leq 0.1 / \leq 0.1^\circ$	$\leq 0.3 / \leq 0.15^\circ$	$\leq 0.5 / \leq 0.3^\circ$
37.5A to 150A	$\leq 0.03 / \leq 0.07^\circ$	$\leq 0.07 / \leq 0.07^\circ$	$\leq 0.15 / \leq 0.1^\circ$	$\leq 0.3 / \leq 0.2^\circ$
150A to 375A	$\leq 0.02 / \leq 0.05^\circ$	$\leq 0.05 / \leq 0.05^\circ$	$\leq 0.1 / \leq 0.08^\circ$	$\leq 0.2 / \leq 0.16^\circ$
375A to 900A	$\leq 0.02 / \leq 0.04^\circ$	$\leq 0.05 / \leq 0.04^\circ$	$\leq 0.1 / \leq 0.06^\circ$	$\leq 0.2 / \leq 0.12^\circ$
900A to 1500A	$\leq 0.02 / \leq 0.05^\circ$	$\leq 0.05 / \leq 0.05^\circ$	$\leq 0.1 / \leq 0.08^\circ$	$\leq 0.2 / \leq 0.16^\circ$

center distance between adjacent bus bars $\geq 135\text{mm}$,

at 30Hz to 48Hz and 66Hz to 440Hz twofold errors,

at 15Hz to 30Hz and 440Hz to 5kHz threefold errors.

Use LMG-Z502,-05,-10,-20 and LMG specifications to calculate the accuracy of the complete system.

2.9.4 Sensor operation without connection to LMG

It is important to assure a good connection from the sensor to the LMG before switching on the load current! The **operation** of the sensor with load current and **without connection to the LMG will cause damage** of the sensor and is **dangerous** for the user!

2.9.5 Connection of the sensor with LMG90/310 or other instruments with current input

Use direct current inputs I* and I.

2.9.6 Connection of the sensor with LMG95

Use direct current inputs I* and I.

2.9.7 Connection of the sensor with LMG450

Use direct current inputs I* and I.

Or use L45-Z22 and sensor input for better dynamic range, but small additional error term.

2.9.8 Connection of the sensor with LMG500

Use direct current inputs I* and I.

2.10 Precision current transformer 4000A (LMG-Z542,-Z545,-Z550)

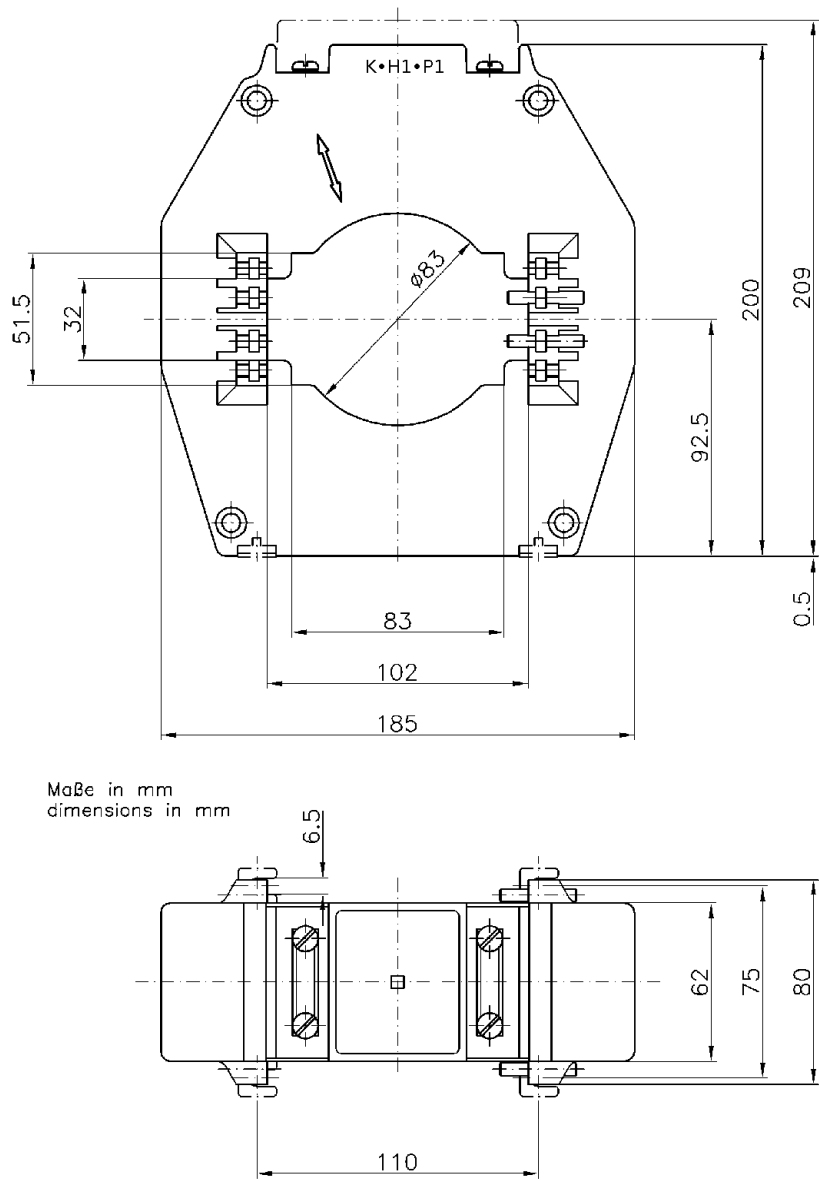


Figure 23: Dimensions of LMG-Z542,-Z545,-Z550

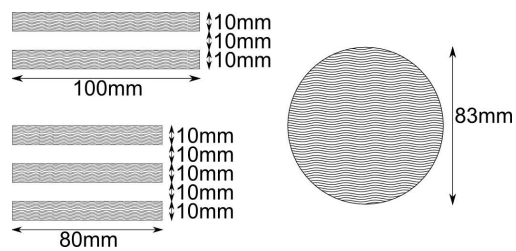


Figure 24: LMG-Z542,-Z545,-Z550 suitable bus bars

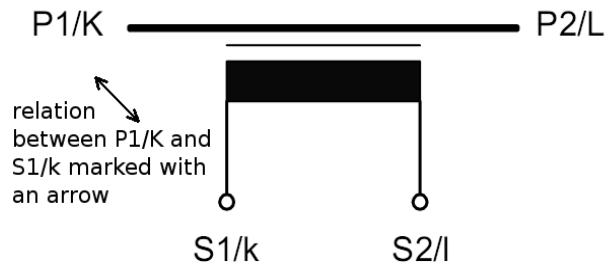


Figure 25: LMG-Z542, -Z545, -Z550 connection diagram

2.10.1 Safety warning!

Always connect the sensor first to the meter, and afterwards to the device under test.
 If no burden is connected, secondary terminals have to be short-circuited!
 Please refer to chapter 1.1: 'Safety precautions'!

2.10.2 Specifications

Measuring range	4000A _{eff} continuous
Secondary current	2A _{eff}
Transformation ratio	2000:1
Maximum input, overload	4400A _{eff} for 5min.
Rated short time thermal current for 1s	100kA
Bandwidth	15Hz to 5kHz
Burden impedance	1 to 2.5 ohms, cos(beta)=1
Protection class	600V CAT. III / 1000V CAT. II
Degree of pollution	2
Temperature range	-20°C to +50°C
Weight	3.3kg
Bus bar	2x 100mm x 10mm or 3x 80mm x 10mm or round, diameter 83mm
Minimum center distance between adjacent bus bars	185mm
Output connection	screw terminals M5, Philips recessed head screw, max. 4mm ² (flexible) / 6mm ² (solid), tightening torque 3.5Nm

2.10.3 Accuracy

Accuracies based on: sinusoidal current, ambient temperature $23\pm 3^{\circ}\text{C}$, calibration interval 1 year, conductor in the middle of the transformer, total burden impedance (including wiring and current path of LMG) between 1 and 2.5 ohms.

Current	Amplitude error \pm (% of measuring value) / Phase error (at 48 to 66Hz)		
	Z542	Z545	Z550
20A to 100A	$\leq 0.1 / \leq 0.1^{\circ}$	$\leq 0.15 / \leq 0.1^{\circ}$	$\leq 0.3 / \leq 0.15^{\circ}$
100A to 400A	$\leq 0.04 / \leq 0.07^{\circ}$	$\leq 0.08 / \leq 0.07^{\circ}$	$\leq 0.15 / \leq 0.1^{\circ}$
400A to 1000A	$\leq 0.02 / \leq 0.05^{\circ}$	$\leq 0.05 / \leq 0.05^{\circ}$	$\leq 0.1 / \leq 0.08^{\circ}$
1000A to 2400A	$\leq 0.02 / \leq 0.04^{\circ}$	$\leq 0.05 / \leq 0.04^{\circ}$	$\leq 0.1 / \leq 0.06^{\circ}$
2400A to 4000A	$\leq 0.02 / \leq 0.05^{\circ}$	$\leq 0.05 / \leq 0.05^{\circ}$	$\leq 0.1 / \leq 0.08^{\circ}$

center distance between adjacent bus bars $\geq 185\text{mm}$,

at 30Hz to 48Hz and 66Hz to 440Hz twofold errors,

at 15Hz to 30Hz and 440Hz to 5kHz threefold errors

Use LMG-Z542,-Z545,-Z550 and LMG specifications to calculate the accuracy of the complete system.

2.10.4 Sensor operation without connection to LMG

It is important to assure a good connection from the sensor to the LMG before switching on the load current! The **operation** of the sensor with load current and **without connection to the LMG will cause damage** of the sensor and is **dangerous** for the user!

2.10.5 Connection of the sensor with LMG90/310 or other instruments with current input

Use direct current inputs I^* and I .

2.10.6 Connection of the sensor with LMG95

Use direct current inputs I^* and I .

2.10.7 Connection of the sensor with LMG450

Use direct current inputs I^* and I .

Or use L45-Z22 and sensor input for better dynamic range, but small additional error term.

2.10.8 Connection of the sensor with LMG500

Use direct current inputs I^* and I .

2.11 Precision current transformer 10kA (LMG-Z562, -Z570)



Figure 26: LMG-Z562,-Z570

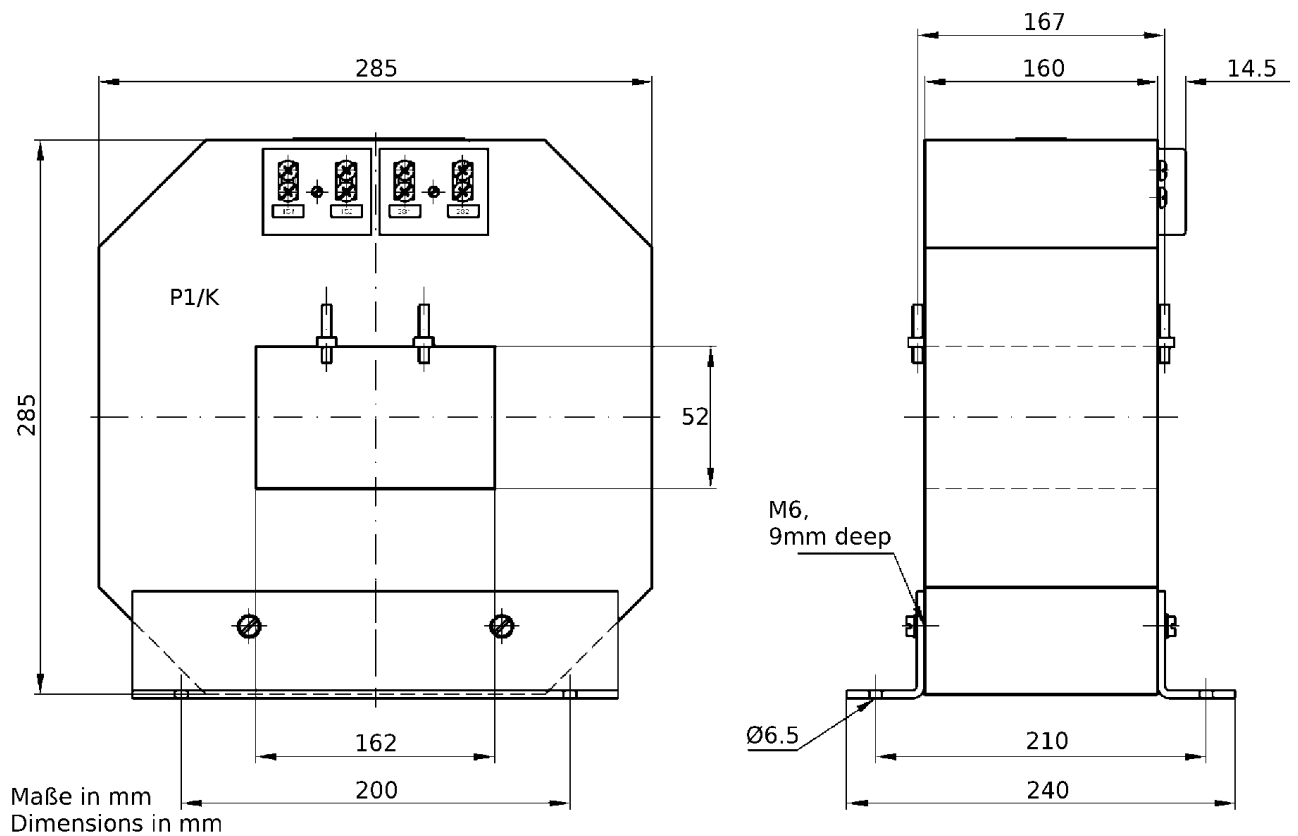


Figure 27: Dimensions of LMG-Z562,-Z570

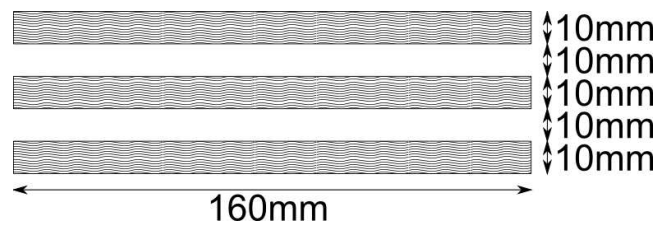


Figure 28: LMG-Z562,-Z570 suitable bus bars

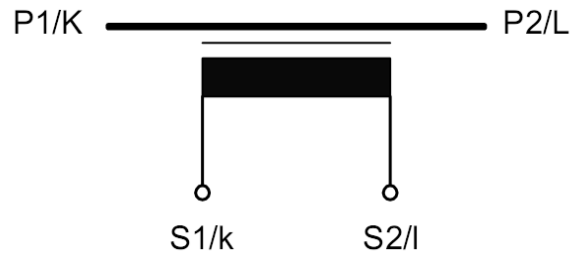


Figure 29: LMG-Z562, -Z570 connection diagram

2.11.1 Safety warning!

Always connect the sensor first to the meter, and afterwards to the device under test.
If no burden is connected, secondary terminals have to be short-circuited!
Please refer to chapter 1.1: ‘Safety precautions’!

2.11.2 Specifications

Measuring range	10kA _{eff} continuous
Secondary current	2A _{eff}
Transformation ratio	5000:1
Maximum input, overload	11kA _{eff} for 5min.
Rated short time thermal current for 1s	100kA
Bandwidth	15Hz to 5kHz
Burden impedance	1 to 2.5 ohms, cos(beta)=1
Protection class	600V CAT. III / 1000V CAT. II
Degree of pollution	2
Temperature range	-20°C to +50°C
Weight	32kg
Bus bar	3x 160mm x 10mm primary fixing device M5, slotted headless screw, max. 2.5Nm
Minimum center distance between adjacent bus bars	285mm
Output connection	screw terminals M5, Philips recessed head screw, max. 4mm ² (flexible) / 6mm ² (solid), tightening torque 3.5Nm

2.11.3 Accuracy

Accuracies based on: sinusoidal current, ambient temperature $23\pm 3^{\circ}\text{C}$, calibration interval 1 year, conductor in the middle of the transformer, total burden impedance (including wiring and current path of LMG) between 1 and 2.5 ohms.

Current	Amplitude error \pm (% of measuring value) / Phase error (at 48 to 66Hz)	
	Z562	Z570
50A to 250A	$\leq 0.05 / \leq 0.1^{\circ}$	$\leq 0.3 / \leq 0.15^{\circ}$
250A to 1000A	$\leq 0.03 / \leq 0.07^{\circ}$	$\leq 0.15 / \leq 0.1^{\circ}$
1000A to 2500A	$\leq 0.02 / \leq 0.05^{\circ}$	$\leq 0.1 / \leq 0.08^{\circ}$
2500A to 6000A	$\leq 0.02 / \leq 0.04^{\circ}$	$\leq 0.1 / \leq 0.06^{\circ}$
6000A to 10kA	$\leq 0.02 / \leq 0.05^{\circ}$	$\leq 0.1 / \leq 0.08^{\circ}$

center distance between adjacent bus bars $\geq 285\text{mm}$,

at 30Hz to 48Hz and 66Hz to 440Hz twofold errors,

at 15Hz to 30Hz and 440Hz to 5kHz threefold errors

Use LMG-Z562,-Z570 and LMG specifications to calculate the accuracy of the complete system.

2.11.4 Sensor operation without connection to LMG

It is important to assure a good connection from the sensor to the LMG before switching on the load current! The **operation** of the sensor with load current and **without connection to the LMG will cause damage** of the sensor and is **dangerous** for the user!

2.11.5 Connection of the sensor with LMG90/310 or other instruments with current input

Use direct current inputs I* and I.

2.11.6 Connection of the sensor with LMG95

Use direct current inputs I* and I.

2.11.7 Connection of the sensor with LMG450

Use direct current inputs I* and I.

Or use L45-Z22 and sensor input for better dynamic range, but small additional error term.

2.11.8 Connection of the sensor with LMG500

Use direct current inputs I* and I.

2.12 Precision current transformer 10kA (LMG-Z582, -Z590)



Figure 30: LMG-Z582,-Z590 (picture similar)

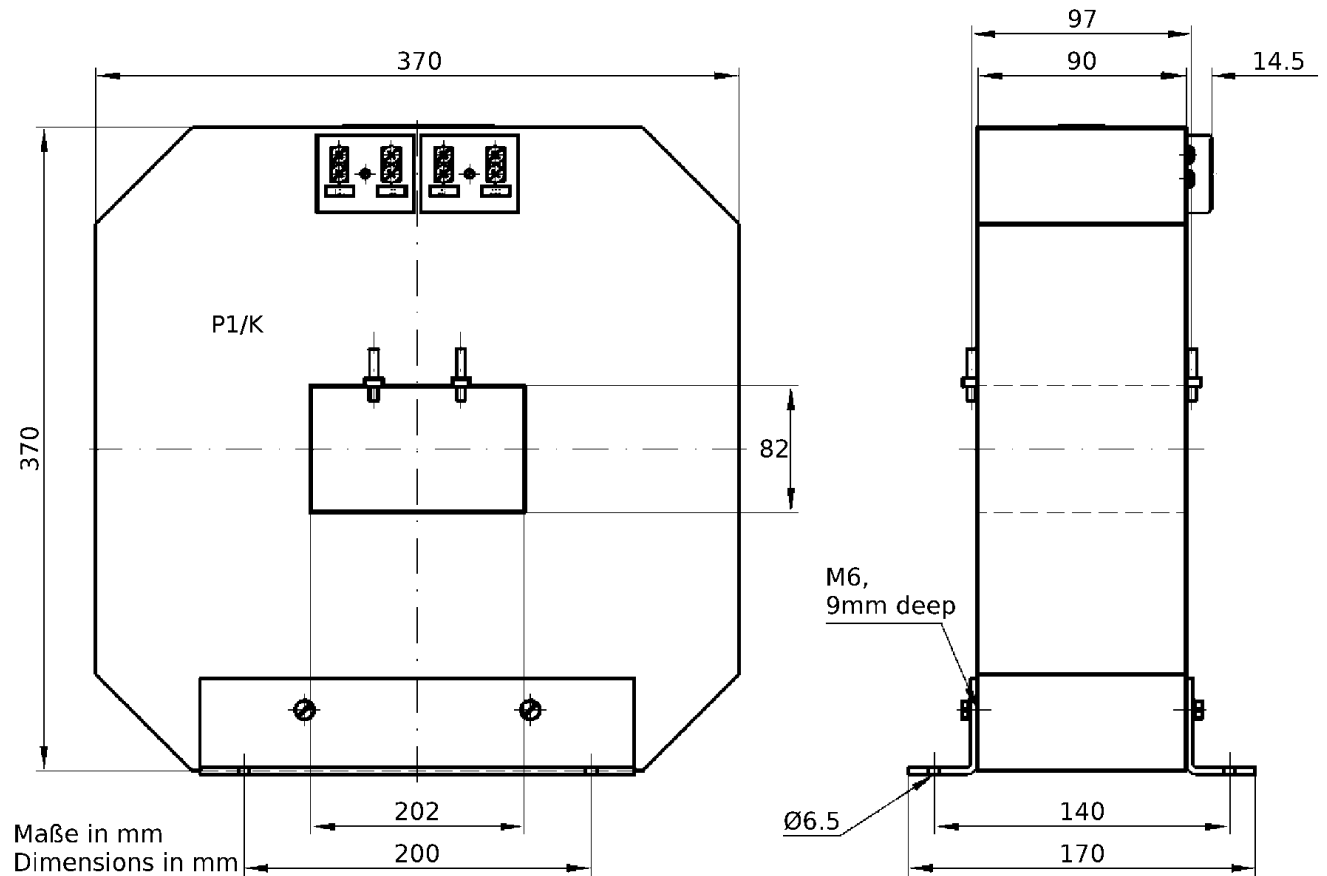


Figure 31: Dimensions of LMG-Z582,-Z590

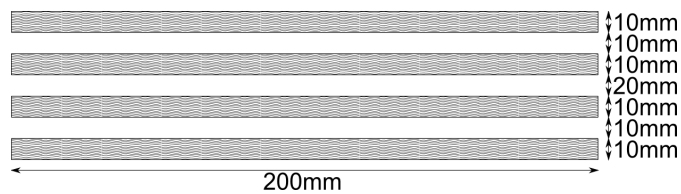


Figure 32: LMG-Z582,-Z590 suitable bus bars

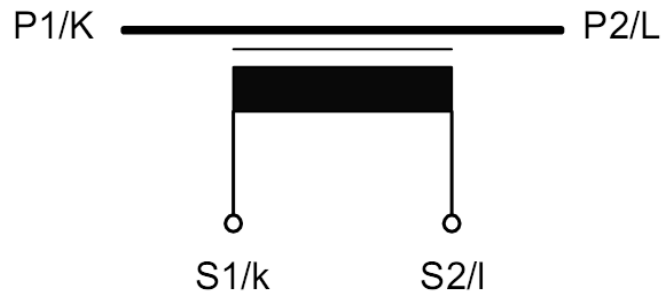


Figure 33: LMG-Z582, -Z590 connection diagram

2.12.1 Safety warning!

Always connect the sensor first to the meter, and afterwards to the device under test.
 If no burden is connected, secondary terminals have to be short-circuited!
 Please refer to chapter 1.1: 'Safety precautions'!

2.12.2 Specifications

Measuring range	10kA _{eff} continuous
Secondary current	2A _{eff}
Transformation ratio	5000:1
Maximum input, overload	11kA _{eff} for 5min.
Rated short time thermal current for 1s	100kA
Bandwidth	15Hz to 5kHz
Burden impedance	1 to 2.5 ohms, cos(beta)=1
Protection class	600V CAT. III / 1000V CAT. II
Degree of pollution	2
Temperature range	-20°C to +50°C
Weight	23kg
Bus bar	4x 200mm x 10mm primary fixing device M5, slotted headless screw, max. 2.5Nm
Minimum center distance between adjacent bus bars	370mm
Output connection	screw terminals M5, Philips recessed head screw, max. 4mm ² (flexible) / 6mm ² (solid), tightening torque 3.5Nm

2.12.3 Accuracy

Accuracies based on: sinusoidal current, ambient temperature $23\pm 3^{\circ}\text{C}$, calibration interval 1 year, conductor in the middle of the transformer, total burden impedance (including wiring and current path of LMG) between 1 and 2.5 ohms.

Current	Amplitude error \pm (% of measuring value) / Phase error (at 48 to 66Hz)	
	Z582	Z590
50A to 250A	$\leq 0.05 / \leq 0.1^{\circ}$	$\leq 0.3 / \leq 0.15^{\circ}$
250A to 1000A	$\leq 0.03 / \leq 0.07^{\circ}$	$\leq 0.15 / \leq 0.1^{\circ}$
1000A to 2500A	$\leq 0.02 / \leq 0.05^{\circ}$	$\leq 0.1 / \leq 0.08^{\circ}$
2500A to 6000A	$\leq 0.02 / \leq 0.04^{\circ}$	$\leq 0.1 / \leq 0.06^{\circ}$
6000A to 10kA	$\leq 0.02 / \leq 0.05^{\circ}$	$\leq 0.1 / \leq 0.08^{\circ}$

center distance between adjacent bus bars $\geq 370\text{mm}$,
at 30Hz to 48Hz and 66Hz to 440Hz twofold errors,
at 15Hz to 30Hz and 440Hz to 5kHz threefold errors

Use LMG-Z582,-Z590 and LMG specifications to calculate the accuracy of the complete system.

2.12.4 Sensor operation without connection to LMG

It is important to assure a good connection from the sensor to the LMG before switching on the load current! The **operation** of the sensor with load current and **without connection to the LMG will cause damage** of the sensor and is **dangerous** for the user!

2.12.5 Connection of the sensor with LMG90/310 or other instruments with current input

Use direct current inputs I^* and I .

2.12.6 Connection of the sensor with LMG95

Use direct current inputs I^* and I .

2.12.7 Connection of the sensor with LMG450

Use direct current inputs I^* and I .

Or use L45-Z22 and sensor input for better dynamic range, but small additional error term.

2.12.8 Connection of the sensor with LMG500

Use direct current inputs I^* and I .

2.13 Precision current transducer 200A (PCT200)



Figure 34: PCT200

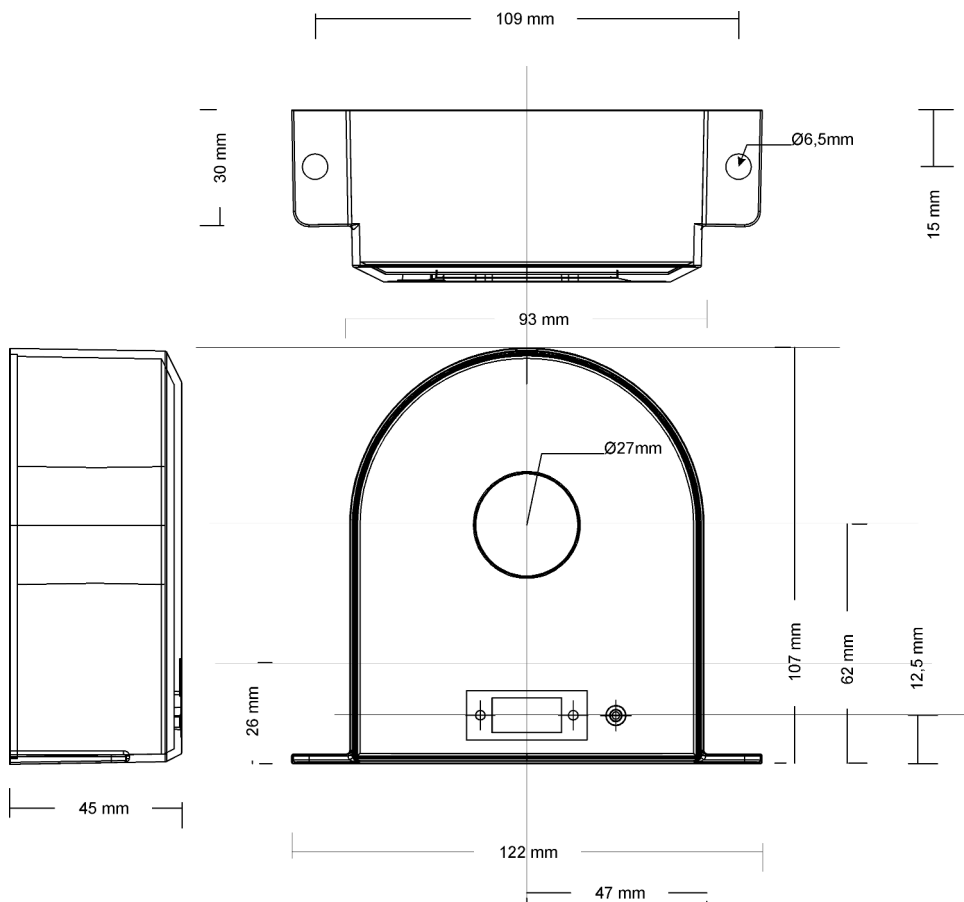


Figure 35: PCT200 mechanical dimensions

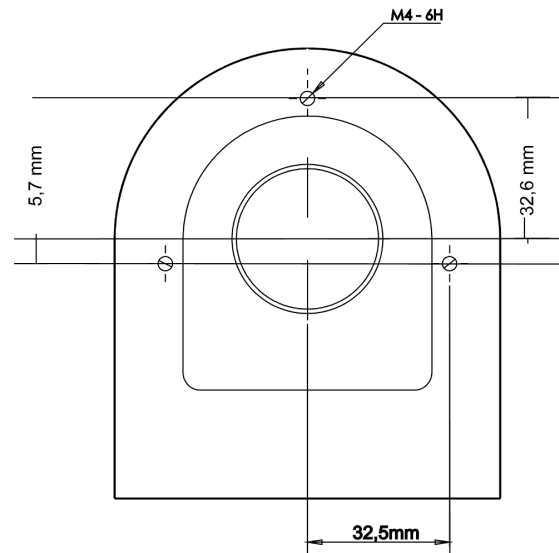


Figure 36: PCT200 mounting bushings on the back

2.13.1 Safety warning!

Always connect the sensor first to the meter, and afterwards to the device under test.

Use connection cable and PCT together with the same serial number!

The transformers are only allowed to operate with cables which - according to the printing on the cable - are designed for this individual transformer.

Attention: when using Busbar without isolation regard DSUB cable isolation or avoid contact!

Please refer to chapter 1.1: 'Safety precautions'!

2.13.2 Specifications

Nominal input current rms	200A
Maximum input current peak	300A
Transformation ratio	500:1
Maximum input overload	1500A (100ms)
Bandwidth	1MHz
Burden	0 .. 3 Ohms
Safety	EN61010-1
Isolation	500V, CAT II Attention: when using Busbar without isolation regard DSUB cable isolation or avoid contact!
Operating temperature	-40°C .. 85°C
Storage temperature	-40°C .. 85°C

Maximum relative humidity	80% for temperatures up to 31°C decreasing linearly to 50% relative humidity at 40°C
Weight	0.6kg
Supply	$\pm(15V \pm 5\%)$
EMC	EN61326

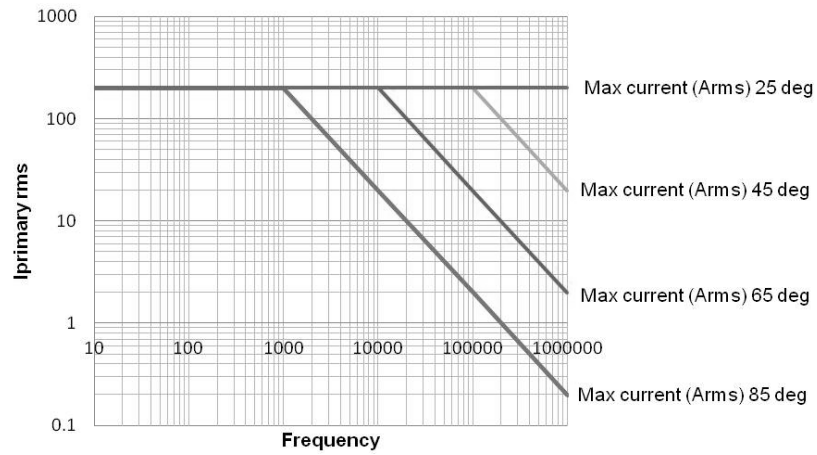


Figure 37: PCT200 temperature derating

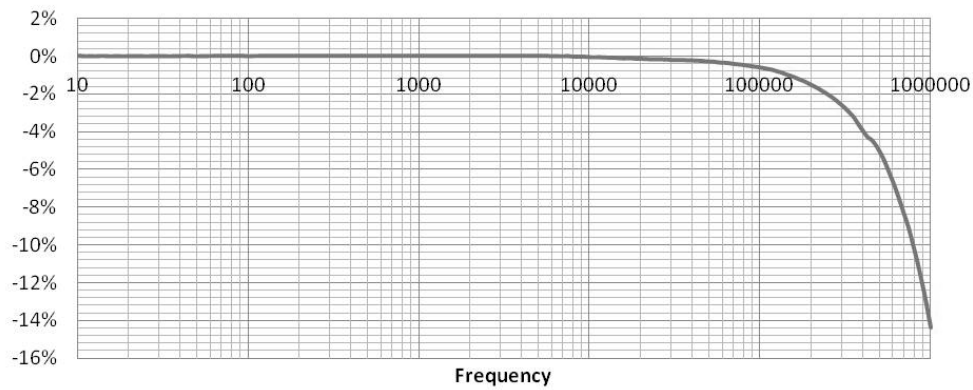


Figure 38: PCT200 typical gain error

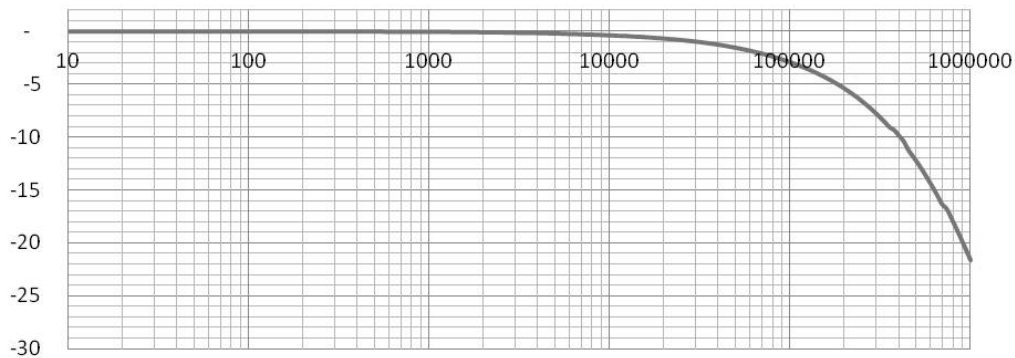


Figure 39: PCT200 typical phase error

2.13.3 Accuracy

Accuracies based on: sinusoidal current, ambient temperature $23\pm 3^{\circ}\text{C}$, calibration interval 1 year, conductor located in the middle of the transducer.

Frequency	Amplitude uncertainty in % of nominal input current rms	Phase uncertainty in degree
DC .. 5kHz	$\pm 0.01\%$	$\pm 0.2^{\circ}$
5kHz .. 100kHz	$\pm 0.5\%$	$\pm 4^{\circ}$
100kHz .. 1MHz	$\pm 20\%$	$\pm 30^{\circ}$

See specification of the LMG connection cable for the LMG measuring ranges and to calculate the accuracy of the complete system.

2.13.4 Sensor without supply and / or open secondary circuit

Both AC and DC primary current can be applied up to 100% of nominal current under following conditions:

- Sensor is unpowered and secondary circuit is open
- Sensor is unpowered and secondary circuit is closed
- Sensor is powered and secondary circuit is open
- Sensor is powered and secondary circuit is interrupted during measurement

Note that the sensor core will be magnetized in all four cases, leading to a small change in output offset current (less than 10ppm).

2.13.5 Connection of the sensor with LMG90/310 or other instruments with current input

Use sensor supply unit SSU4 with modification for PSU60/200/400/700 and PSU-K3/K5/K10 and SSU4-K-L31 and direct current inputs I* and I.

2.13.6 Connection of the sensor with LMG95

Use PSU/PCT-K-L95, supply via LMG95, no additional error terms.

2.13.7 Connection of the sensor with LMG450 (PCT200-K-L45)

Use PCT200-K-L45 and SSU4 (standard version).

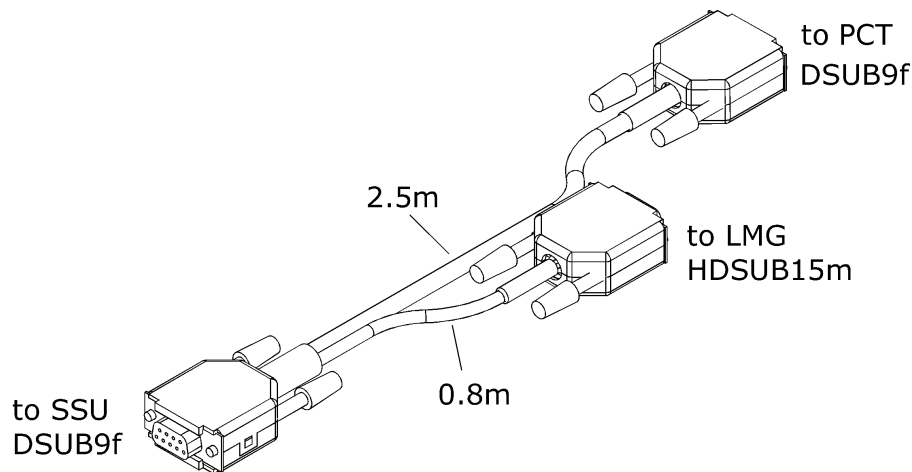


Figure 40: PCT200-K-L45, to connect the PCT200 to the LMG450 and the SSU4

This cable 'PCT200-K-L45' is used to connect a precision current sensor PCT200 to the power meter LMG450 and to supply it by a sensor supply unit SSU4. In the connector to the LMG450 the adjustment data of the PCT200 head are available as well as the serial number.

The connection is quiet simple:

- Switch all power off and plug the connector labeled 'SSU-4' to the SSU-4.
- Plug the connector labeled 'PCT200' to the Sensor
- Plug the connector labeled 'LMG450' to the LMG450 external sensor input.
- Now you can switch on the power and make your measurements. The power of the EUT should be switched on at least.

The rangenames of LMG450, the sensor name and calibration data are read out of the sensor EEPROM automatically.

Measuring ranges (sensor input)

nominal value	6.25	12.5	25	50	100	200
---------------	------	------	----	----	-----	-----

max. trms value	6.25	12.5	25	50	100	200
max. peak value	9.375	18.75	37.5	75	150	300

limited by PCT200 to max. 300Apk!

Accuracy

Use PCT200 and LMG450 specifications to calculate the accuracy of the complete system.

Add $\pm 0.01\%$ of measuring value.

Add $\pm 30\text{mA}$ DC offset tolerance.

2.13.8 Connection of the sensor with LMG500 (PCT200-K-L50)

Use PCT200-K-L50 and L50-Z14, supply via LMG500.

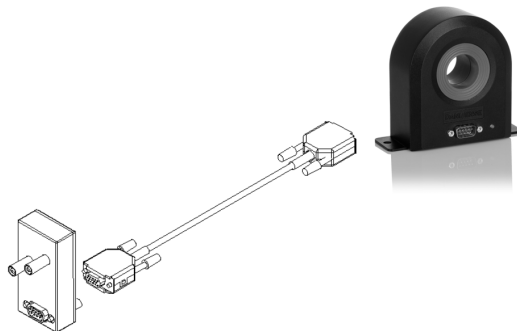


Figure 41: PCT200-K-L50, to connect PCT200 and LMG500

This cable 'PCT200-K-L50' is used to connect a precision current sensor PCT200 to the power meter LMG500. In the connector to the LMG500 the adjustment data of the PCT200 head are available as well as the serial number.

The connection is quiet simple:

- Switch all power off
- Plug the connector labeled 'PCT200' to the Sensor
- Plug the connector labeled 'LMG500' to the adapter L50-Z14 mounted on the LMG500 current channel
- Now you can switch on the power and make your measurements. The power of the EUT should be switched on at least.

The rangenames of LMG500, the sensor name and calibration data are read out of the sensor EEPROM automatically.

Measuring ranges (sensor input)

nominal value	1.5	3	6	12.5	25	50	100	200
max. trms value	1.5	3	6	12.5	25	50	100	200

max. peak value	2.344	4.688	9.375	18.75	37.5	75	150	300
-----------------	-------	-------	-------	-------	------	----	-----	-----

limited by PCT200 to max. 300Apk!

Accuracy

Use PCT200 and LMG500 specifications to calculate the accuracy of the complete system.

Add $\pm 0.01\%$ of measuring value.

Add $\pm 30\text{mA}$ DC offset tolerance.

2.13.9 Connection elongation

To use the current sensor with a longer connection length between power meter and PCT connect a well shielded 1:1 extension cable between the PCT (DSUB9f plug) and the PCT connection cable (DSUB9m plug) and screw both plugs together. This extension cable is available at ZES (LMG-Z-DVxx). Required length (up to 15m) is to be given by customer along with the order. Interference from strong electromagnetical disturbed environments may affect the measurement accuracy. This depends from the respective installation in the complete system and is out of responsibility of ZES ZIMMER.

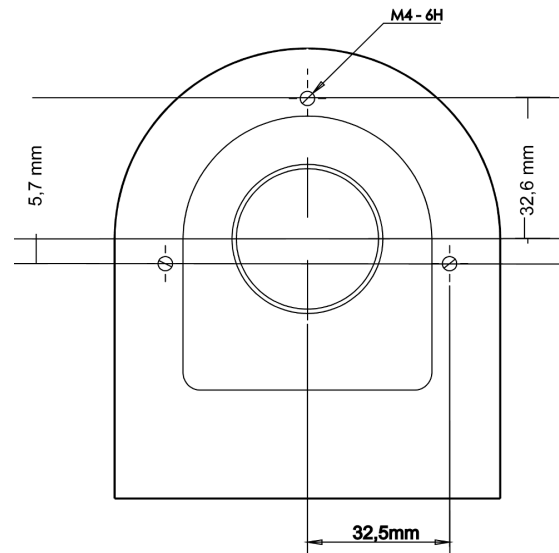


Figure 44: PCT600 mounting bushings on the back

2.14.1 Safety warning!

Always connect the sensor first to the meter, and afterwards to the device under test.

Use connection cable and PCT together with the same serial number!

The transformers are only allowed to operate with cables which - according to the printing on the cable - are designed for this individual transformer.

Attention: when using Busbar without isolation regard DSUB cable isolation or avoid contact!

Please refer to chapter 1.1: 'Safety precautions'!

2.14.2 Specifications

Nominal input current rms	600A
Maximum input current peak	900A
Transformation ratio	1500:1
Maximum input overload	4500A (100ms)
Bandwidth	100kHz
Burden	0 .. 3 Ohms
Safety	EN61010-1
Isolation	500V, CAT II Attention: when using Busbar without isolation regard DSUB cable isolation or avoid contact!
Operating temperature	-40°C .. 85°C
Storage temperature	-40°C .. 85°C

Maximum relative humidity	80% for temperatures up to 31°C decreasing linearly to 50% relative humidity at 40°C
Weight	0.6kg
Supply	$\pm(15V \pm 5\%)$
EMC	EN61326

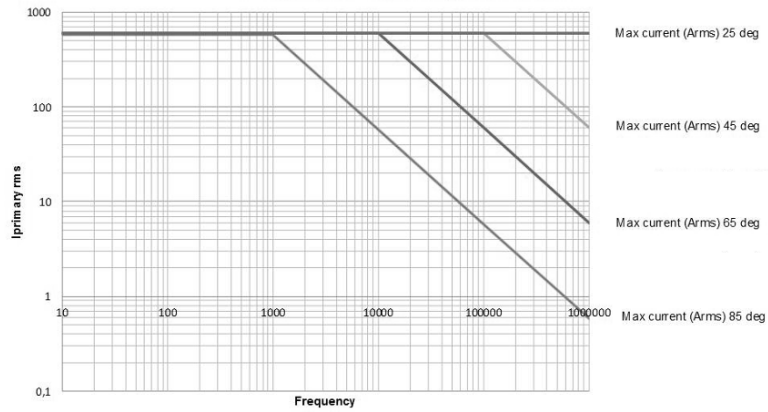


Figure 45: PCT600 temperature derating

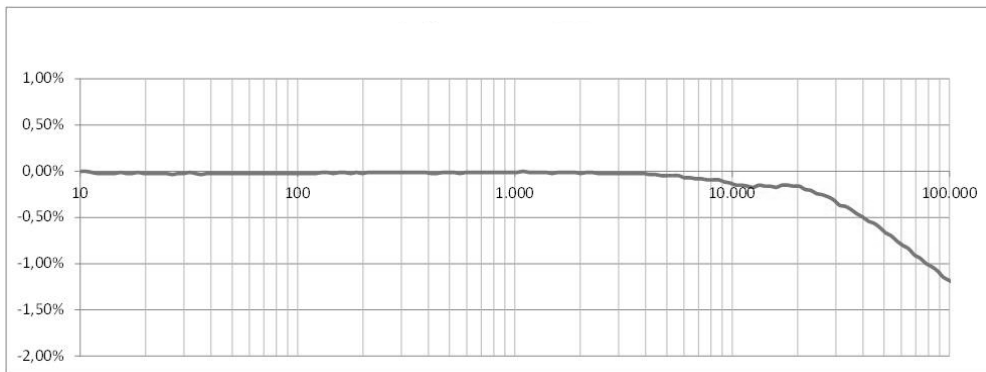


Figure 46: PCT600 typical gain error

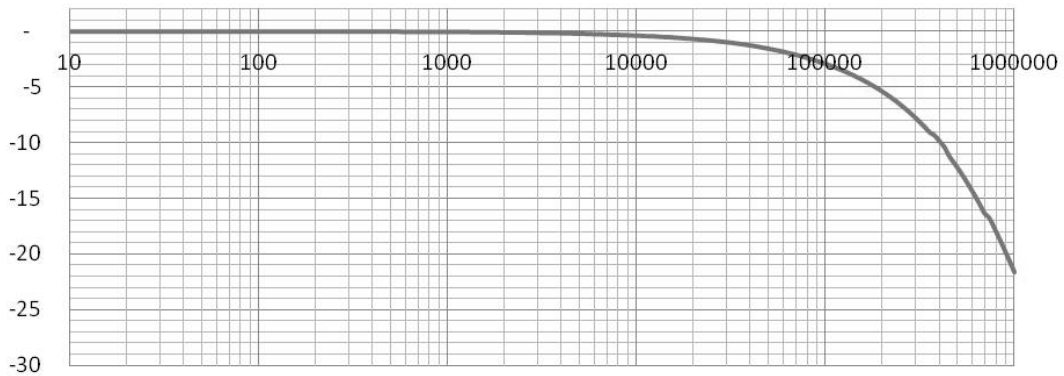


Figure 47: PCT600 typical phase error

2.14.3 Accuracy

Accuracies based on: sinusoidal current, ambient temperature $23\pm 3^{\circ}\text{C}$, calibration interval 1 year, conductor located in the middle of the transducer.

Frequency	Amplitude uncertainty in % of nominal input current rms	Phase uncertainty in degree
DC .. 2kHz	$\pm 0.01\%$	$\pm 0.1^{\circ}$
2kHz .. 10kHz	$\pm 0.5\%$	$\pm 0.5^{\circ}$
10kHz .. 100kHz	$\pm 3\%$	$\pm 3^{\circ}$

See specification of the LMG connection cable for the LMG measuring ranges and to calculate the accuracy of the complete system.

2.14.4 Sensor without supply and / or open secondary circuit

Both AC and DC primary current can be applied up to 100% of nominal current under following conditions:

- Sensor is unpowered and secondary circuit is open
- Sensor is unpowered and secondary circuit is closed
- Sensor is powered and secondary circuit is open
- Sensor is powered and secondary circuit is interrupted during measurement

Note that the sensor core will be magnetized in all four cases, leading to a small change in output offset current (less than 10ppm).

2.14.5 Connection of the sensor with LMG90/310 or other instruments with current input

Use sensor supply unit SSU4 with modification for PSU60/200/400/700 and PSU-K3/K5/K10 and SSU4-K-L31 and direct current inputs I* and I.

2.14.6 Connection of the sensor with LMG95

Use PSU/PCT-K-L95, supply via LMG95, no additional error terms.

2.14.7 Connection of the sensor with LMG450 (PCT600-K-L45)

Use PCT600-K-L45 and SSU4 (standard version).

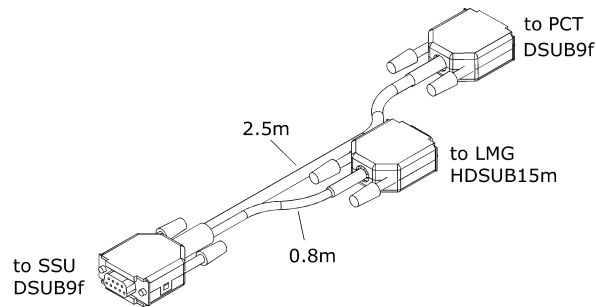


Figure 48: PCT600-K-L45, to connect the PCT600 to the LMG450 and the SSU4

This cable 'PCT600-K-L45' is used to connect a precision current sensor PCT600 to a power meter LMG450 and to supply it by a sensor supply unit SSU4. In the connector to the LMG450 the adjustment data of the PCT600 head are available as well as the serial number.

The connection is quiet simple:

- Switch all power off and plug the connector labeled 'SSU-4' to the SSU-4.
- Plug the connector labeled 'PCT600' to the Sensor
- Plug the connector labeled 'LMG450' to the LMG450 external sensor input.
- Now you can switch on the power and make your measurements. The power of the EUT should be switched on at least.

The rangenames of LMG450, the sensor name and calibration data are read out of the sensor EEPROM automatically.

Measuring ranges (sensor input)

nominal value	18.7	37.5	75	150	300	600
max. trms value	18.7	37.5	75	150	300	600
max. peak value	28.125	56.25	112.5	225	450	900

limited by PCT600 to max. 900Apk!

Accuracy

Use PCT600 and LMG450 specifications to calculate the accuracy of the complete system.

Add $\pm 0.01\%$ of measuring value.

Add $\pm 100\text{mA}$ DC offset tolerance.

2.14.8 Connection of the sensor with LMG500 (PCT600-K-L50)

Use PCT600-K-L50 and L50-Z14, supply via LMG500.

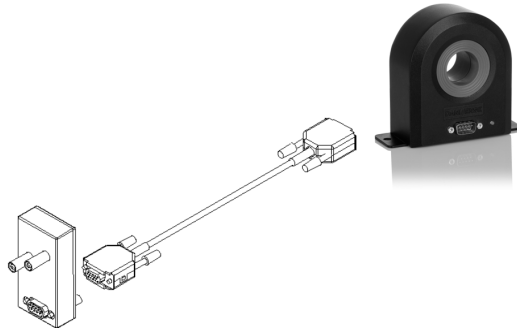


Figure 49: PCT600-K-L50, to connect PCT600 and LMG500

This cable 'PCT600-K-L50' is used to connect a precision current sensor PCT600 to the power meter LMG500. In the connector to the LMG500 the adjustment data of the PCT600 head are available as well as the serial number.

The connection is quiet simple:

- Switch all power off
- Plug the connector labeled 'PCT600' to the Sensor
- Plug the connector labeled 'LMG500' to the adapter L50-Z14 mounted on the LMG500 current channel
- Now you can switch on the power and make your measurements. The power of the EUT should be switched on at least.

The rangenames of LMG500, the sensor name and calibration data are read out of the sensor EEPROM automatically.

Measuring ranges (sensor input)

nominal value	4.5	9	18	37.5	75	150	300	600
max. trms value	4.5	9	18	37.5	75	150	300	600
max. peak value	7.031	14.063	28.125	56.25	112.5	225	450	900

limited by PCT600 to max. 900Apk!

Accuracy

Use PCT600 and LMG500 specifications to calculate the accuracy of the complete system.

Add $\pm 0.01\%$ of measuring value.

Add $\pm 100\text{mA}$ DC offset tolerance.

2.14.9 Connection elongation

To use the current sensor with a longer connection length between power meter and PCT connect a well shielded 1:1 extension cable between the PCT (DSUB9f plug) and the PCT connection cable (DSUB9m plug) and screw both plugs together. This extension cable is

available at ZES (LMG-Z-DV_{xx}). Required length (up to 15m) is to be given by customer along with the order. Interference from strong electromagnetic disturbed environments may affect the measurement accuracy. This depends from the respective installation in the complete system and is out of responsibility of ZES ZIMMER.

2.15 Precision current transducer 60A (PSU60)

(This product is discontinued, for replacement see: PCT200)



Figure 50: PSU60

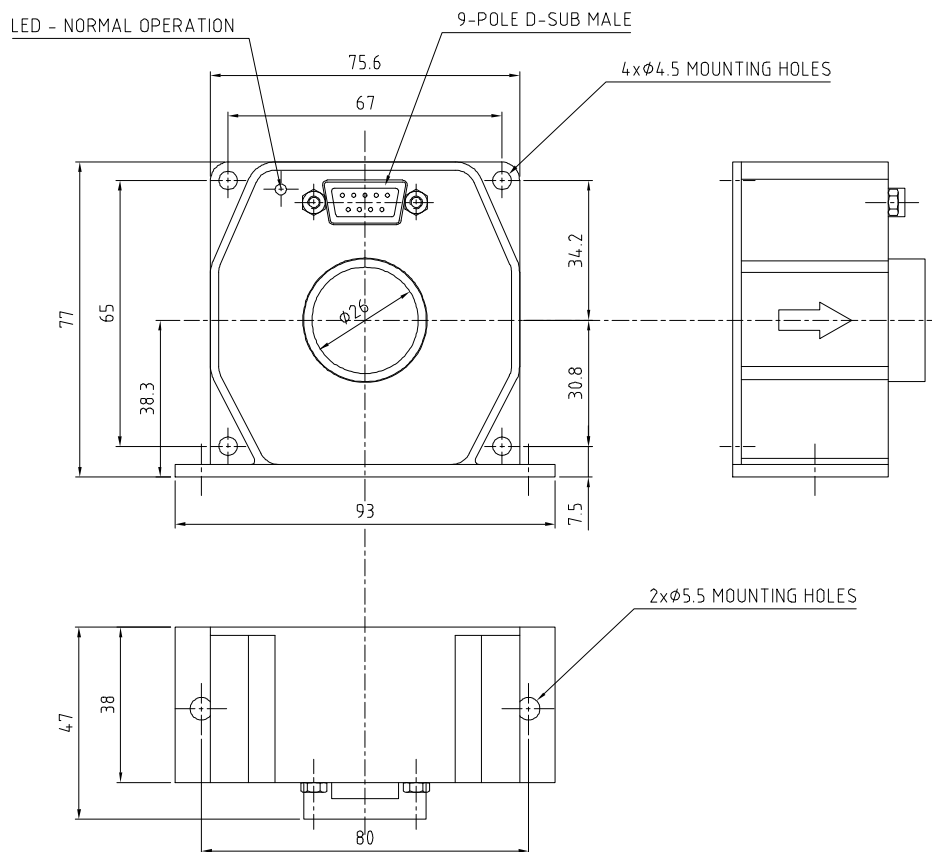


Figure 51: Dimensions of the PSU60

2.15.1 Safety warning!

Always connect the sensor first to the meter, and afterwards to the device under test.

Dont allow primary current without supply of the PSU!

Use connection cable and PSU together with the same serial number!
Please refer to chapter 1.1: 'Safety precautions'!

2.15.2 Specifications

Nominal input current	60A
Transformation ratio	600:1
Measuring range PSU	$\pm 60A_{pk}$
Maximum input overload	66A _{eff} 3min 300A 100ms
Bandwidth (small signal 0.5% of nominal input current) $\pm 1dB$ $\pm 3dB$	DC to 500kHz DC to >800kHz
Slew rate (10%-90%)	>25A/us
Response time (to 90% of nominal input current)	<1us
Burden R _b	0 .. 20 ohms
Isolation	<ul style="list-style-type: none"> • rated isolation voltage rms, reinforced isolation: 600V rated isolation voltage rms, single isolation: 2000V with IEC 61010-1 standards and following conditions: over voltage category III, pollution degree 2 • rms voltage, AC isolation test, 50/60Hz, 1min: 5.4kV • impuls withstand voltage 1.2/50us: 9.9kV • rated isolation voltage rms, reinforced isolation: 600V rated isolation voltage rms, single isolation: 1000V with EN50178 standards and following conditions: over voltage category III, pollution degree 2 • creepage distance: 11mm • clearance distance: 11mm • comparative tracking index CTI: 600V <p>Attention: when using Busbar without isolation regard DSUB cable isolation or avoid contact!!</p>
Degree of pollution	2
Operating temperature	+10°C to +50°C (operation down to -20°C is possible, please note: 'non condensing ambient conditions' and 'specified temperature drift in the range of -20°C to +10°C is typical, not guaranteed')
Storage temperature	-20°C to +85°C

Humidity (non condensing)	20-80% RH
Weight	approx. 0.3kg
Output connection	depending on adapter cable to LMGxx
supply	$\pm 15V / 180mA$

The transformers are only allowed to operate with cables which - according to the printing on the cable - are designed for this individual transformer.

2.15.3 Accuracy

Accuracies based on: sinusoidal current, frequency DC to 100Hz, ambient temperature $23\pm 3^{\circ}C$, calibration interval 1 year, conductor in the middle of the transducer.

Amplitude error $\pm(\%$ of meas.value+ $\%$ of measuring range PSU)	0.015%+0.005%
Phase error	0.02°
Temperature coefficient (+10°C to +50°C)	$< \pm 0.15mA/K$

See specification of the LMG connection cable for the LMG measuring ranges and to calculate the accuracy of the complete system.

2.15.4 Sensor operation without supply

It is important to assure a stable power supply of the sensor before switching on the load current! The **operation** of the sensor with load current and **without supply will cause damage** of the sensor and/or of the LMG/supply unit!

To remove the LMG/supply unit from the test location without removing the PSU sensors from the current path, you can do alternatively:

- Leave the PSU at the current path and disconnect the cable at the PSU side.
Disconnect the DSUB9 plug from the PSU and interconnect all of the 9 pins with the shield at the **PSU** plug.

or:

- Leave the PSU and the connection cable at the current path and disconnect the cable at the LMG/supply unit side.

1. Systems with supply via LMG:

Disconnect the HDSUB15 plug from the LMG and connect all of the 15 pins and the shield at the **cable** plug together

2. Systems with supply via supply unit SSU4:

Disconnect the HDSUB15 plug from the LMG and disconnect the DSUB9 plug from the supply unit SSU4. Connect all of the 15 pins and the shield at the **LMG cable** plug together and connect all of the 9 pins and the shield at the **SSU4 cable** plug together

To do this, the load current has to be switched off!

2.15.5 Connection of the sensor with LMG90/310 or other instruments with current input

Use sensor supply unit SSU4 with modification for PSU60/200/400/700 (SSU4-MOD) and PSU-K3/K5/K10 and SSU4-K-L31 and direct current inputs I* and I.

2.15.6 Connection of the sensor with LMG95

Use PSU/PCT-K-L95, supply via LMG95, no additional error terms, but only one range and not suitable for small currents.

With slightly less accuracy at fullrange, but with considerably more dynamic range and so better accuracy at small currents it is also possible to use PSU60-K-L50 and L95-Z07. With this assembly you get 8 ranges and a good dynamic down to a few Amps, but a small additional error term from the PSU60-K-L50 cable. Set LMG current scaling factor appropriate to the scaling factor marked on the label on L95-Z07.

It depends on the magnitude and the dynamic of the measuring current, which connection is better.

2.15.7 Connection of the sensor with LMG450 (PSU60-K-L45)

Use PSU60-K-L45 and SSU4 (standard version, without modification).

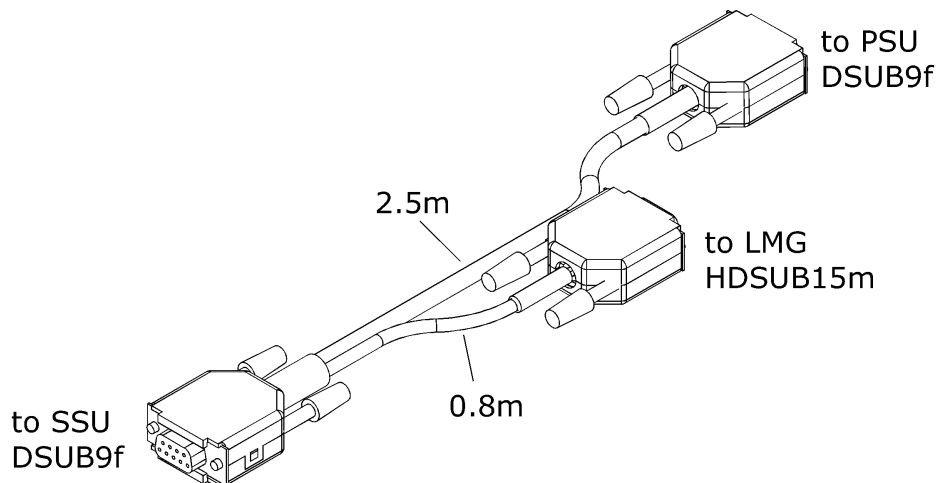


Figure 52: PSU60-K-L45, to connect the PSU60 to the LMG450 and the SSU4

This cable 'PSU60-K-L45' is used to connect a precision current sensor PSU60 to a power meter LMG450 and to supply it by a sensor supply unit SSU4.

In the connector to the LMG450 the adjustment data of the PSU60 head are available as well as it's serial number. For this reason this connector is delivered already mounted to the PSU60 head and the screws are sealed, when you have ordered the package 'PSU60-L45'. This should prevent, that the wrong PSU60 head is connected to the cable.

The connection is quiet simple:

- Switch all power off and plug the connector labeled 'SSU-4' to the SSU-4.
- Plug the connector labeled 'LMG450' to the LMG450 external sensor input.
- Now you can switch on the power and make your measurements. The power of the EUT should be switched on at least.

Measuring ranges (sensor input)

nominal value	1A	2A	4A	8A	16A	32A
max. trms value	1.875A	3.75A	7.5A	15A	30A	60A
max. peak value	1.875A	3.75A	7.5A	15A	30A	60A

limited by PSU60 to max. 60Apk!

Accuracy

Use PSU60 and LMG450 specifications to calculate the accuracy of the complete system.
Add $\pm 9\text{mA}$ DC offset tolerance.

2.15.8 Connection of the sensor with LMG500 (PSU60-K-L50)

Use PSU60-K-L50 and L50-Z14, supply via LMG500.

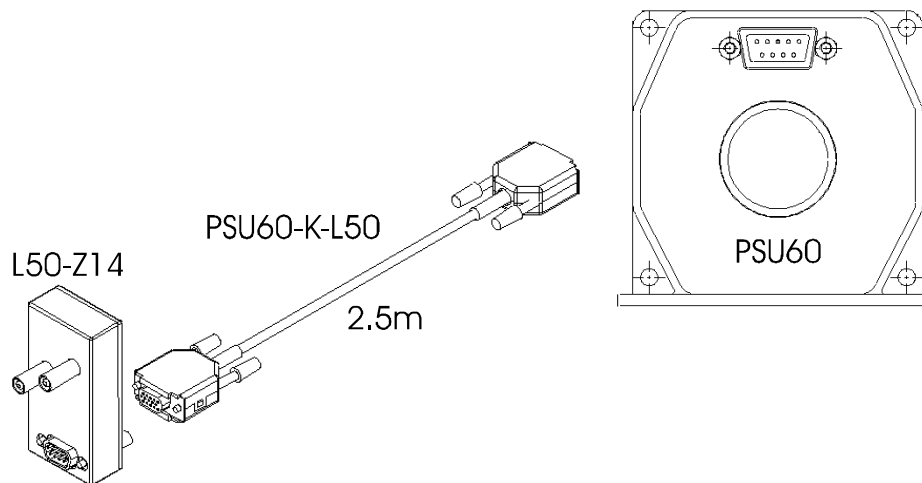


Figure 53: PSU60-K-L50, to connect PSU60 and LMG500

This cable 'PSU60-K-L50' is used to connect a precision current sensor PSU60 to the power meter LMG500.

In the connector to the LMG500 the adjustment data of the PSU60 head are available as well as it's serial number. For this reason this connector is delivered already mounted to the PSU60 head and the screws are sealed, when you have ordered the package 'PSU60-L50'. This should prevent, that the wrong PSU60 head is connected to the cable.

The connection is quiet simple:

Switch all power off, plug the connector labeled 'LMG500' to the adapter L50-Z14 mounted on the LMG500 current channel. Now you can switch on the power and make the measurements. The range names of LMG500, the sensor name and calibration data are read out of the sensor EEPROM automatically.

Measuring ranges (sensor input)

nominal value	0.25A	0.5A	1A	2A	4A	8A	16A	32A
max. trms value	0.469A	0.938A	1.875A	3.75A	7.5A	15A	30A	60A
max. peak value	0.469A	0.938A	1.875A	3.75A	7.5A	15A	30A	60A

limited by PSU60 to max. 60Apk!

Accuracy

Use PSU60 and LMG500 specifications to calculate the accuracy of the complete system.
Add $\pm 9\text{mA}$ DC offset tolerance.

2.15.9 Connection elongation

To use the current sensor with a longer connection length between power meter and PSU connect a well shielded 1:1 extension cable between the PSU (DSUB9f plug) and the PSU connection cable (DSUB9m plug) and screw both plugs together. This extension cable is available at ZES (LMG-Z-DVxx). Required length (up to 15m) is to be given by customer along with the order. Interference from strong electromagnetical disturbed environments may affect the measurement accuracy. This depends from the respective installation in the complete system and is out of responsibility of ZES ZIMMER.

2.16 Precision current transducer 200A (PSU200)

(This product is discontinued, for replacement see: PCT200)



Figure 54: PSU200

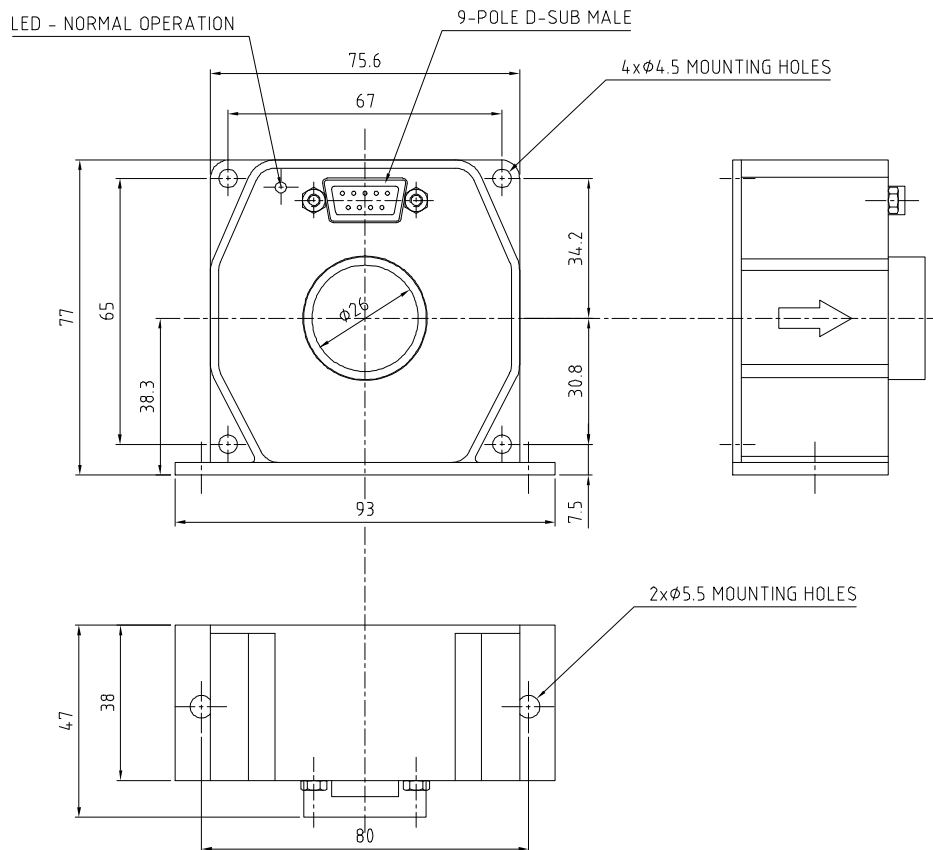


Figure 55: Dimensions of the PSU200

2.16.1 Safety warning!

Always connect the sensor first to the meter, and afterwards to the device under test.

Dont allow primary current without supply of the PSU!

Use connection cable and PSU together with the same serial number!

Please refer to chapter 1.1: 'Safety precautions'!

2.16.2 Specifications

Nominal input current	200A
Transformation ratio	1000:1
Measuring range PSU	$\pm 200A_{pk}$
Maximum input overload	220A _{eff} 3min 1kA 100ms
Bandwidth (small signal 0.5% of nominal input current) $\pm 1dB$ $\pm 3dB$	DC to 150kHz DC to >500kHz
Slew rate (10%-90%)	>100A/us
Response time (to 90% of nominal input current)	<1us
Burden R _b	0 .. 30 ohms
Isolation	<ul style="list-style-type: none"> • rated isolation voltage rms, reinforced isolation: 600V rated isolation voltage rms, single isolation: 2000V with IEC 61010-1 standards and following conditions: over voltage category III, pollution degree 2 • rms voltage, AC isolation test, 50/60Hz, 1min: 5.4kV • impuls withstand voltage 1.2/50us: 9.9kV • rated isolation voltage rms, reinforced isolation: 600V rated isolation voltage rms, single isolation: 1000V with EN50178 standards and following conditions: over voltage category III, pollution degree 2 • creepage distance: 11mm • clearance distance: 11mm • comparative tracking index CTI: 600V <p>Attention: when using Busbar without isolation regard DSUB cable isolation or avoid contact!!</p>
Degree of pollution	2
Operating temperature	+10°C to +50°C (operation down to -20°C is possible, please note: 'non condensing ambient conditions' and 'specified temperature drift in the range of -20°C to +10°C is typical, not guaranteed')
Storage temperature	-20°C to +85°C

Humidity (non condensing)	20-80% RH
Weight	approx. 0.3kg
Output connection	depending on adapter cable to LMGxx
supply	$\pm 15V / 280mA$

The transformers are only allowed to operate with cables which - according to the printing on the cable - are designed for this individual transformer.

2.16.3 Accuracy

Accuracies based on: sinusoidal current, frequency DC to 100Hz, ambient temperature $23\pm 3^{\circ}C$, calibration interval 1 year, conductor in the middle of the transducer.

Amplitude error $\pm(\%$ of meas.value+ $\%$ of measuring range PSU)	0.015%+0.005%
Phase error	0.02°
Temperature coefficient (+10°C to +50°C)	$< \pm 0.4mA/K$

See specification of the LMG connection cable for the LMG measuring ranges and to calculate the accuracy of the complete system.

2.16.4 Sensor operation without supply

It is important to assure a stable power supply of the sensor before switching on the load current! The **operation** of the sensor with load current and **without supply will cause damage** of the sensor and/or of the LMG/supply unit!

To remove the LMG/supply unit from the test location without removing the PSU sensors from the current path, you can do alternatively:

- Leave the PSU at the current path and disconnect the cable at the PSU side.
Disconnect the DSUB9 plug from the PSU and interconnect all of the 9 pins with the shield at the **PSU** plug.

or:

- Leave the PSU and the connection cable at the current path and disconnect the cable at the LMG/supply unit side.

1. Systems with supply via LMG:

Disconnect the HDSUB15 plug from the LMG and connect all of the 15 pins and the shield at the **cable** plug together

2. Systems with supply via supply unit SSU4:

Disconnect the HDSUB15 plug from the LMG and disconnect the DSUB9 plug from the supply unit SSU4. Connect all of the 15 pins and the shield at the **LMG cable** plug together and connect all of the 9 pins and the shield at the **SSU4 cable** plug together

To do this, the load current has to be switched off!

2.16.5 Connection of the sensor with LMG90/310 or other instruments with current input

Use sensor supply unit SSU4 with modification for PSU60/200/400/700 and PSU-K3/K5/K10 and SSU4-K-L31 and direct current inputs I^* and I .

2.16.6 Connection of the sensor with LMG95

Use PSU/PCT-K-L95, supply via LMG95, no additional error terms, but only one range and not suitable for small currents.

With slightly less accuracy at fullrange, but with considerably more dynamic range and so better accuracy at small currents it is also possible to use PSU200-K-L50 and L95-Z07. With this assembly you get 8 ranges and a good dynamic down to a few Amps, but a small additional error term from the PSU200-K-L50 cable. Set LMG current scaling factor appropriate to the scaling factor marked on the label on L95-Z07.

It depends on the magnitude and the dynamic of the measuring current, which connection is better.

2.16.7 Connection of the sensor with LMG450 (PSU200-K-L45)

Use PSU200-K-L45 and SSU4 (standard version, without modification).

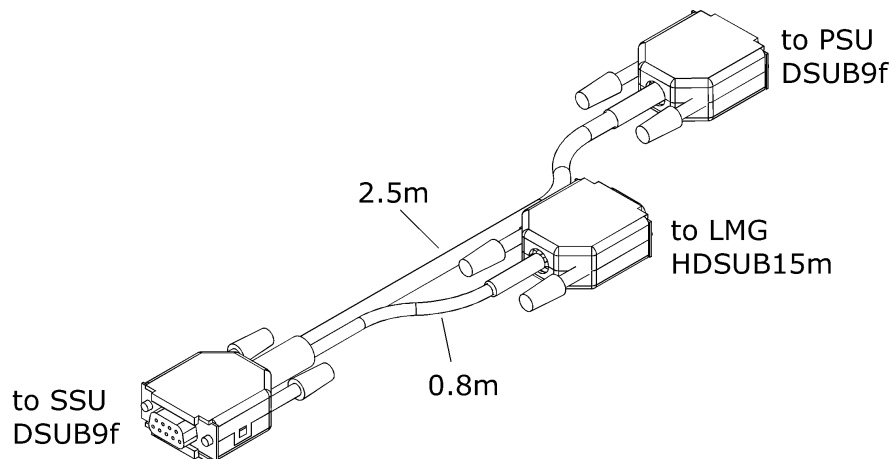


Figure 56: PSU200-K-L45, to connect the PSU200 to the LMG450 and the SSU4

This cable 'PSU200-K-L45' is used to connect a precision current sensor PSU200 to a power meter LMG450 and to supply it by a sensor supply unit SSU4.

In the connector to the LMG450 the adjustment data of the PSU200 head are available as well as it's serial number. For this reason this connector is delivered already mounted to the PSU200 head and the screws are sealed, when you have ordered the package 'PSU200-L45'. This should prevent, that the wrong PSU200 head is connected to the cable.

The connection is quiet simple:

- Switch all power off and plug the connector labeled 'SSU-4' to the SSU-4.
- Plug the connector labeled 'LMG450' to the LMG450 external sensor input.
- Now you can switch on the power and make your measurements. The power of the EUT should be switched on at least.

Measuring ranges (sensor input)

nominal value	3.13A	6.25A	12.5A	25A	50A	100A
max. trms value	6.25A	12.5A	25A	50A	100A	200A
max. peak value	6.25A	12.5A	25A	50A	100A	200A

limited by PSU200 to max. 200Apk!

Accuracy

Use PSU200 and LMG450 specifications to calculate the accuracy of the complete system.
Add $\pm 30\text{mA}$ DC offset tolerance.

2.16.8 Connection of the sensor with LMG500 (PSU200-K-L50)

Use PSU200-K-L50 and L50-Z14, supply via LMG500.

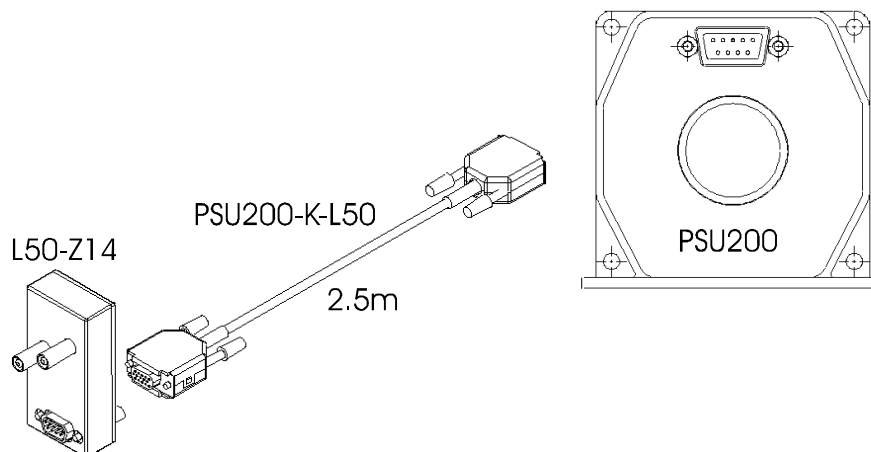


Figure 57: PSU200-K-L50, to connect PSU200 and LMG500

This cable 'PSU200-K-L50' is used to connect a precision current sensor PSU200 to the power meter LMG500.

In the connector to the LMG500 the adjustment data of the PSU200 head are available as well as it's serial number. For this reason this connector is delivered already mounted to the PSU200 head and the screws are sealed, when you have ordered the package 'PSU200-L50'. This should prevent, that the wrong PSU200 head is connected to the cable.

The connection is quiet simple:

Switch all power off, plug the connector labeled 'LMG500' to the adapter L50-Z14 mounted on the LMG500 current channel. Now you can switch on the power and make the measurements. The rangenames of LMG500, the sensor name and calibration data are read out of the sensor EEPROM automatically.

Measuring ranges (sensor input)

nominal value	0.75A	1.5A	3.13A	6.25A	12.5A	25A	50A	100A
max. trms value	1.56A	3.13A	6.25A	12.5A	25A	50A	100A	200A
max. peak value	1.56A	3.13A	6.25A	12.5A	25A	50A	100A	200A

limited by PSU200 to max. 200Apk!

Accuracy

Use PSU200 and LMG500 specifications to calculate the accuracy of the complete system. Add $\pm 30\text{mA}$ DC offset tolerance.

2.16.9 Connection elongation

To use the current sensor with a longer connection length between power meter and PSU connect a well shielded 1:1 extension cable between the PSU (DSUB9f plug) and the PSU connection cable (DSUB9m plug) and screw both plugs together. This extension cable is available at ZES (LMG-Z-DVxx). Required length (up to 15m) is to be given by customer along with the order. Interference from strong electromagnetical disturbed environments may affect the measurement accuracy. This depends from the respective installation in the complete system and is out of responsibility of ZES ZIMMER.

2.17 Precision current transducer 200A (PSU200HF)

(This product is discontinued, for replacement see: PCT200)



Figure 58: PSU200HF

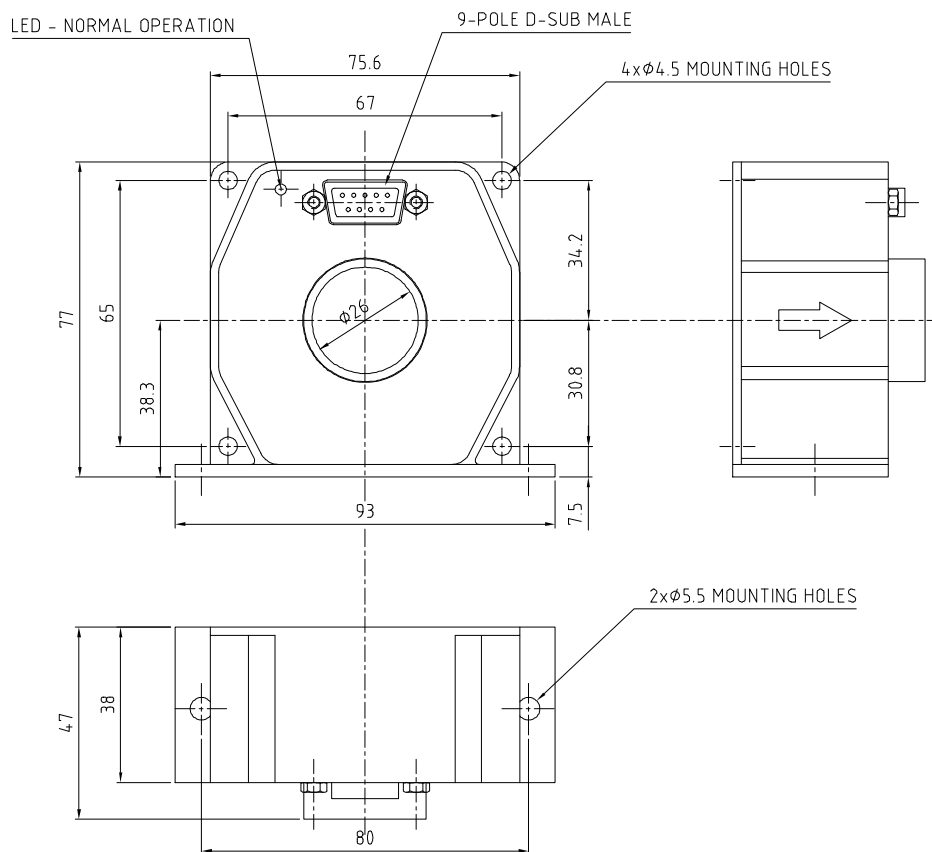


Figure 59: Dimensions of the PSU200HF

2.17.1 Safety warning!

Always connect the sensor first to the meter, and afterwards to the device under test.

Dont allow primary current without supply of the PSU!

Use connection cable and PSU together with the same serial number!
Please refer to chapter 1.1: 'Safety precautions'!

2.17.2 Specifications

Nominal input current	200A
Transformation ratio	1000:1
Measuring range PSU	$\pm 200A_{pk}$
Maximum input overload	220A _{eff} 3min 1kA 100ms
Bandwidth (small signal 20A _{pp} , R _b =2.5Ohm, primary current in the middle of the transducer head) $\pm 0.4dB$ (equivalent to $\pm 4.7\%$) $\pm 3dB$ (typical)	DC to 150kHz DC to >1MHz
Slew rate (10%-90%)	>100A/us
Burden R _b	0 .. 30 ohms
Isolation	<ul style="list-style-type: none"> • rated isolation voltage rms, reinforced isolation: 600V rated isolation voltage rms, single isolation: 2000V with IEC 61010-1 standards and following conditions: over voltage category III, pollution degree 2 • rms voltage, AC isolation test, 50/60Hz, 1min: 5.4kV • impuls withstand voltage 1.2/50us: 9.9kV • rated isolation voltage rms, reinforced isolation: 600V rated isolation voltage rms, single isolation: 1000V with EN50178 standards and following conditions: over voltage category III, pollution degree 2 • creepage distance: 11mm • clearance distance: 11mm • comparative tracking index CTI: 600V <p>Attention: when using Busbar without isolation regard DSUB cable isolation or avoid contact!!</p>
Degree of pollution	2
Operating temperature	+10°C to +50°C (operation down to -20°C is possible, please note: 'non condensing ambient conditions' and 'specified temperature drift in the range of -20°C to +10°C is typical, not guaranteed')
Storage temperature	-20°C to +85°C

Humidity (non condensing)	20-80% RH
Weight	approx. 0.3kg
Output connection	depending on adapter cable to LMGxx
supply	$\pm 15V / 280mA$

The transformers are only allowed to operate with cables which - according to the printing on the cable - are designed for this individual transformer.

2.17.3 Accuracy

Accuracies based on: sinusoidal current, frequency DC to 100Hz, ambient temperature $23\pm 3^{\circ}C$, calibration interval 1 year, conductor in the middle of the transducer.

Amplitude error $\pm(\%$ of meas.value+ $\%$ of measuring range PSU)	0.015%+0.005%
Phase error	0.02°
Temperature coefficient (+10°C to +50°C)	$< \pm 0.4mA/K$

See specification of the LMG connection cable for the LMG measuring ranges and to calculate the accuracy of the complete system.

2.17.4 Sensor operation without supply

It is important to assure a stable power supply of the sensor before switching on the load current! The **operation** of the sensor with load current and **without supply will cause damage** of the sensor and/or of the LMG/supply unit!

To remove the LMG/supply unit from the test location without removing the PSU sensors from the current path, you can do alternatively:

- Leave the PSU at the current path and disconnect the cable at the PSU side.
Disconnect the DSUB9 plug from the PSU and interconnect all of the 9 pins with the shield at the **PSU** plug.

or:

- Leave the PSU and the connection cable at the current path and disconnect the cable at the LMG/supply unit side.

1. Systems with supply via LMG:

Disconnect the HDSUB15 plug from the LMG and connect all of the 15 pins and the shield at the **cable** plug together

2. Systems with supply via supply unit SSU4:

Disconnect the HDSUB15 plug from the LMG and disconnect the DSUB9 plug from the supply unit SSU4. Connect all of the 15 pins and the shield at the **LMG cable** plug together and connect all of the 9 pins and the shield at the **SSU4 cable** plug together

To do this, the load current has to be switched off!

2.17.5 Connection of the sensor with LMG90/310 or other instruments with current input

Use sensor supply unit SSU4 with modification for PSU60/200/400/700 and PSU-K3/K5/K10 and SSU4-K-L31 and direct current inputs I^* and I .

2.17.6 Connection of the sensor with LMG95

Use PSU/PCT-K-L95, supply via LMG95, no additional error terms, but only one range and not suitable for small currents.

With slightly less accuracy at fullrange, but with considerably more dynamic range and so better accuracy at small currents it is also possible to use PSU200HF-K-L50 and L95-Z07. With this assembly you get 8 ranges and a good dynamic down to a few Amps, but a small additional error term from the PSU200HF-K-L50 cable. Set LMG current scaling factor appropriate to the scaling factor marked on the label on L95-Z07.

It depends on the magnitude and the dynamic of the measuring current, which connection is better.

2.17.7 Connection of the sensor with LMG450

You can use PSU200-K-L45 and SSU4 (standard version, without modification), but it is not recommended to use this high frequency sensor with the LMG450.

2.17.8 Connection of the sensor with LMG500 (PSU200HF-K-L50)

Use PSU200HF-K-L50 and L50-Z14, supply via LMG500.

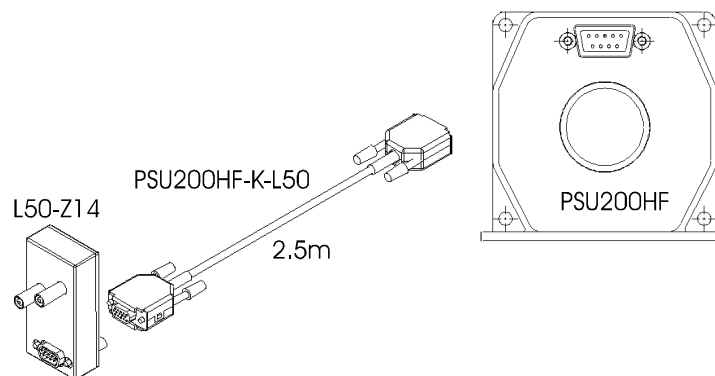


Figure 60: PSU200HF-K-L50, to connect PSU200HF and LMG500

This cable 'PSU200HF-K-L50' is used to connect a precision current sensor PSU200HF to the power meter LMG500.

In the connector to the LMG500 the adjustment data of the PSU200HF head are available as well as it's serial number. For this reason this connector is delivered already mounted to the PSU200HF head and the screws are sealed, when you have ordered the package 'PSU200HF-L50'. This should prevent, that the wrong PSU200HF head is connected to the cable.

The connection is quiet simple:

Switch all power off, plug the connector labeled 'LMG500' to the adapter L50-Z14 mounted on the LMG500 current channel. Now you can switch on the power and make the measurements. The rangenames of LMG500, the sensor name and calibration data are read out of the sensor EEPROM automatically.

Measuring ranges (sensor input)

nominal value	0.75A	1.5A	3.13A	6.25A	12.5A	25A	50A	100A
max. trms value	1.56A	3.13A	6.25A	12.5A	25A	50A	100A	200A
max. peak value	1.56A	3.13A	6.25A	12.5A	25A	50A	100A	200A

limited by PSU200HF to max. 200A_{pk}!

Accuracy

Use PSU200HF and LMG500 specifications to calculate the accuracy of the complete system. Add $\pm 30\text{mA}$ DC offset tolerance.

2.17.9 Connection elongation

To use the current sensor with a longer connection length between power meter and PSU connect a well shielded 1:1 extention cable between the PSU (DSUB9f plug) and the PSU connection cable (DSUB9m plug) and screw both plugs together. This extention cable is

available at ZES (LMG-Z-DV_{xx}). Required length (up to 15m) is to be given by customer along with the order. Interference from strong electromagnetic disturbed environments may affect the measurement accuracy. This depends from the respective installation in the complete system and is out of responsibility of ZES ZIMMER.

2.18 Precision current transducer 400A (PSU400)

(This product is discontinued, for replacement see: PCT200 and PCT600)



Figure 61: PSU400

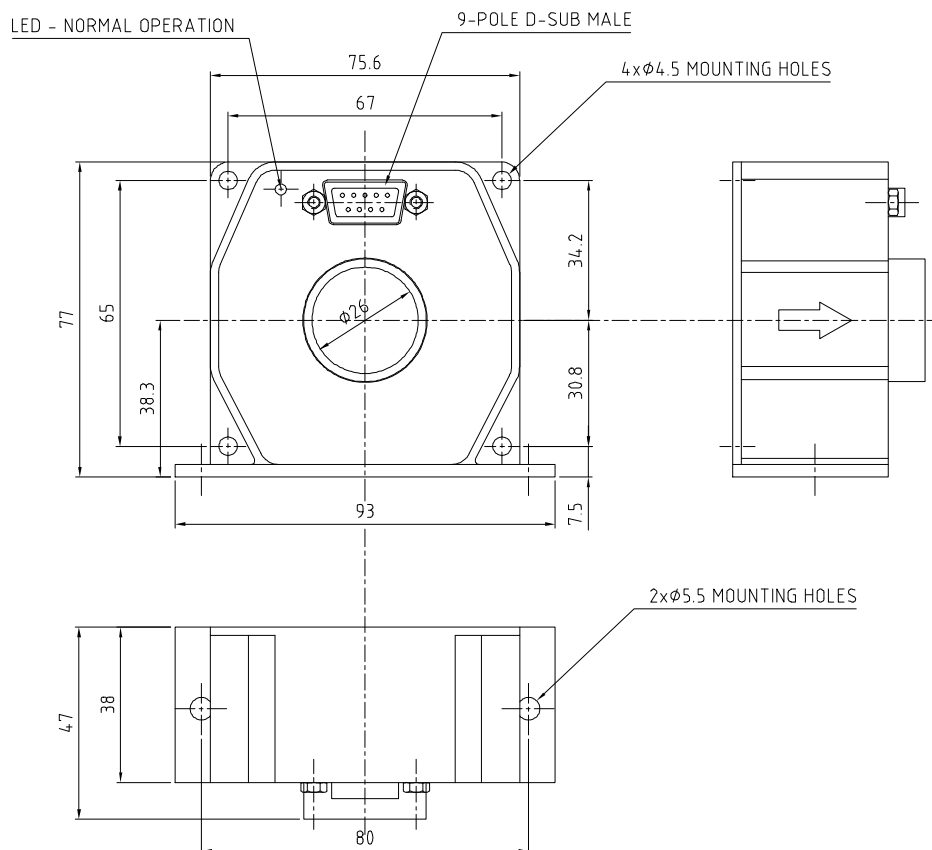


Figure 62: Dimensions of the PSU400

2.18.1 Safety warning!

Always connect the sensor first to the meter, and afterwards to the device under test.

Dont allow primary current without supply of the PSU!

Use connection cable and PSU together with the same serial number!
Please refer to chapter 1.1: 'Safety precautions'!

2.18.2 Specifications

Nominal input current	400A
Transformation ratio	2000:1
Measuring range PSU	±400A _{pk}
Maximum input overload	440A _{eff} 3min 2kA 100ms
Bandwidth (small signal 0.5% of nominal input current) ±1dB ±3dB	DC to 150kHz DC to >500kHz
Slew rate (10%-90%)	>80A/us
Response time (to 90% of nominal input current)	<1us
Burden	0 .. 2.5ohms
Isolation	<ul style="list-style-type: none"> • rated isolation voltage rms, reinforced isolation: 600V rated isolation voltage rms, single isolation: 2000V with IEC 61010-1 standards and following conditions: over voltage category III, pollution degree 2 • rms voltage, AC isolation test, 50/60Hz, 1min: 5.4kV • impuls withstand voltage 1.2/50us: 9.9kV • rated isolation voltage rms, reinforced isolation: 600V rated isolation voltage rms, single isolation: 1000V with EN50178 standards and following conditions: over voltage category III, pollution degree 2 • creepage distance: 11mm • clearance distance: 11mm • comparative tracking index CTI: 600V <p>Attention: when using Busbar without isolation regard DSUB cable isolation or avoid contact!!</p>
Degree of pollution	2
Operating temperature	+10°C to +50°C (operation down to -20°C is possible, please note: 'non condensing ambient conditions' and 'specified temperature drift in the range of -20°C to +10°C is typical, not guaranteed')
Storage temperature	-20°C to +85°C

Humidity (non condensing)	20-80% RH
Weight	approx. 0.3kg
Output connection	depending on adapter cable to LMGxx
supply	$\pm 15V / 280mA$

The transformers are only allowed to operate with cables which - according to the printing on the cable - are designed for this individual transformer.

2.18.3 Accuracy

Accuracies based on: sinusoidal current, frequency DC to 100Hz, ambient temperature $23\pm 3^{\circ}C$, calibration interval 1 year, conductor in the middle of the transducer.

Amplitude error $\pm(\%$ of meas.value+ $\%$ of measuring range PSU)	0.015%+0.005%
Phase error	0.02°
Temperature coefficient (+10°C to +50°C)	< $\pm 0.4mA/K$

See specification of the LMG connection cable for the LMG measuring ranges and to calculate the accuracy of the complete system.

2.18.4 Sensor operation without supply

It is important to assure a stable power supply of the sensor before switching on the load current! The **operation** of the sensor with load current and **without supply will cause damage** of the sensor and/or of the LMG/supply unit!

To remove the LMG/supply unit from the test location without removing the PSU sensors from the current path, you can do alternatively:

- Leave the PSU at the current path and disconnect the cable at the PSU side.
Disconnect the DSUB9 plug from the PSU and interconnect all of the 9 pins with the shield at the **PSU** plug.

or:

- Leave the PSU and the connection cable at the current path and disconnect the cable at the LMG/supply unit side.

1. Systems with supply via LMG:

Disconnect the HDSUB15 plug from the LMG and connect all of the 15 pins and the shield at the **cable** plug together

2. Systems with supply via supply unit SSU4:

Disconnect the HDSUB15 plug from the LMG and disconnect the DSUB9 plug from the supply unit SSU4. Connect all of the 15 pins and the shield at the **LMG cable** plug together and connect all of the 9 pins and the shield at the **SSU4 cable** plug together

To do this, the load current has to be switched off!

2.18.5 Connection of the sensor with LMG90/310 or other instruments with current input

Use sensor supply unit SSU4 with modification for PSU60/200/400/700 and PSU-K3/K5/K10 and SSU4-K-L31 and direct current inputs I^* and I .

2.18.6 Connection of the sensor with LMG95

Use PSU/PCT-K-L95, supply via LMG95, no additional error terms, but only one range and not suitable for small currents.

With slightly less accuracy at fullrange, but with considerably more dynamic range and so better accuracy at small currents it is also possible to use PSU400-K-L50 and L95-Z07. With this assembly you get 8 ranges and a good dynamic down to a few Amps, but a small additional error term from the PSU400-K-L50 cable. Set LMG current scaling factor appropriate to the scaling factor marked on the label on L95-Z07.

It depends on the magnitude and the dynamic of the measuring current, which connection is better.

2.18.7 Connection of the sensor with LMG450 (PSU400-K-L45)

Use PSU400-K-L45 and SSU4 (standard version, without modification).

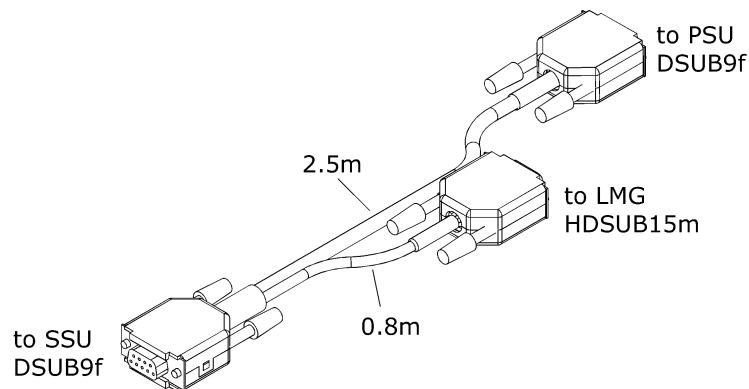


Figure 63: PSU400-K-L45, to connect the PSU400 to the LMG450 and the SSU4

This cable 'PSU400-K-L45' is used to connect a precision current sensor PSU400 to a power meter LMG450 and to supply it by a sensor supply unit SSU4.

In the connector to the LMG450 the adjustment data of the PSU400 head are available as well as it's serial number. For this reason this connector is delivered already mounted to the PSU400 head and the screws are sealed, when you have ordered the package 'PSU400-L45'. This should prevent, that the wrong PSU400 head is connected to the cable.

The connection is quiet simple:

- Switch all power off and plug the connector labeled 'SSU-4' to the SSU-4.
- Plug the connector labeled 'LMG450' to the LMG450 external sensor input.
- Now you can switch on the power and make your measurements. The power of the EUT should be switched on at least.

Measuring ranges (sensor input)

nominal value	6.25A	12.5A	25A	50A	100A	200A
max. trms value	12.5A	25A	50A	100A	200A	400A
max. peak value	12.5A	25A	50A	100A	200A	400A

limited by PSU400 to max. 400Apk!

Accuracy

Use PSU400 and LMG450 specifications to calculate the accuracy of the complete system. Add $\pm 60\text{mA}$ DC offset tolerance.

2.18.8 Connection of the sensor with LMG500 (PSU400-K-L50)

Use PSU400-K-L50 and L50-Z14, supply via LMG500.

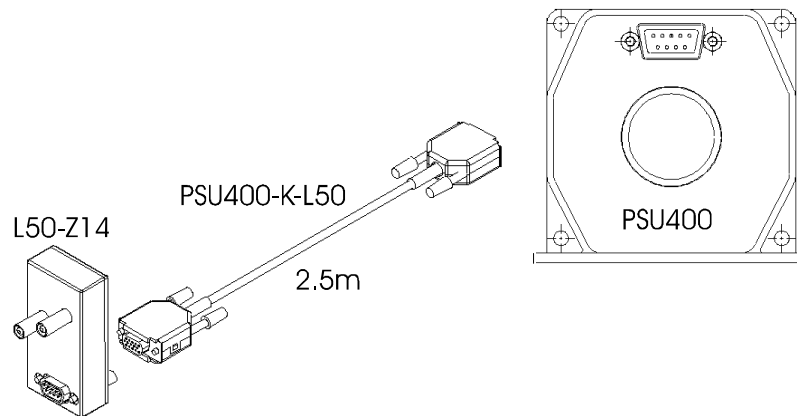


Figure 64: PSU400-K-L50, to connect PSU400 and LMG500

This cable 'PSU400-K-L50' is used to connect a precision current sensor PSU400 to the power meter LMG500.

In the connector to the LMG500 the adjustment data of the PSU400 head are available as well as it's serial number. For this reason this connector is delivered already mounted to the PSU400 head and the screws are sealed, when you have ordered the package 'PSU400-L50'. This should prevent, that the wrong PSU400 head is connected to the cable.

The connection is quiet simple:

Switch all power off, plug the connector labeled 'LMG500' to the adapter L50-Z14 mounted on the LMG500 current channel. Now you can switch on the power and make the measurements. The rangenames of LMG500, the sensor name and calibration data are read out of the sensor EEPROM automatically.

Measuring ranges (sensor input)

nominal value	1.5A	3A	6A	12.5A	25A	50A	100A	200A
max. trms value	3.13A	6.25A	12.5A	25A	50A	100A	200A	400A
max. peak value	3.13A	6.25A	12.5A	25A	50A	100A	200A	400A

limited by PSU400 to max. 400Apk!

Accuracy

Use PSU400 and LMG500 specifications to calculate the accuracy of the complete system. Add $\pm 60\text{mA}$ DC offset tolerance.

2.18.9 Connection elongation

To use the current sensor with a longer connection length between power meter and PSU connect a well shielded 1:1 extention cable between the PSU (DSUB9f plug) and the PSU

connection cable (DSUB9m plug) and screw both plugs together. This extension cable is available at ZES (LMG-Z-DV_{xx}). Required length (up to 15m) is to be given by customer along with the order. Interference from strong electromagnetical disturbed environments may affect the measurement accuracy. This depends from the respective installation in the complete system and is out of responsibility of ZES ZIMMER.

2.19 Precision current transducer 600A (PSU600)

(This product is discontinued, for replacement see: PCT600)

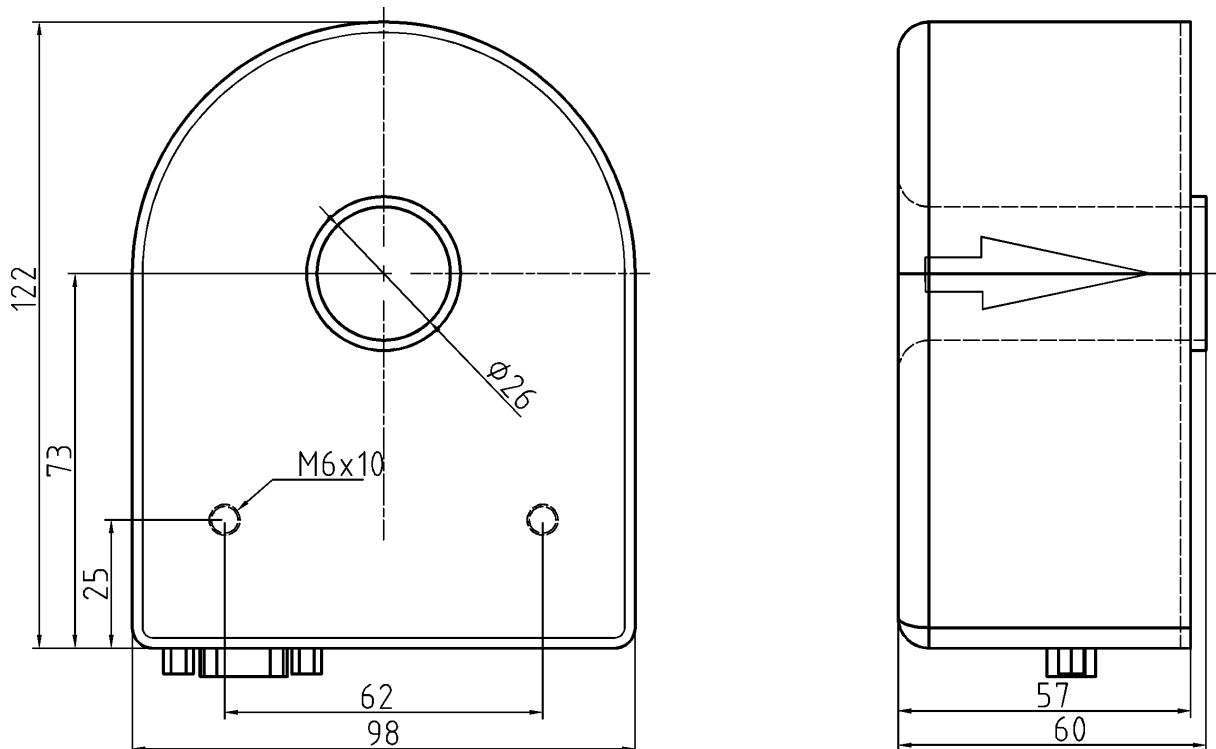


Figure 65: Dimensions of the PSU600

2.19.1 Safety warning!

Always connect the sensor first to the meter, and afterwards to the device under test.

Dont allow primary current without supply of the PSU!

Use connection cable and PSU together with the same serial number!

Please refer to chapter 1.1: 'Safety precautions'!

2.19.2 Specifications

Nominal input current	600A
Transformation ratio	1500:1
Measuring range PSU	$\pm 600\text{A}_{pk}$
Maximum input overload	660A 3min 3kA 100ms
Bandwidth (small signal 0.5% of nominal input current) $\pm 3\text{dB}$	DC to $>100\text{kHz}$
Slew rate (10%-90%)	$>100\text{A}/\mu\text{s}$

Response time (to 90% of nominal input current)	<1us
Burden	2.5 ohms
Isolation	<ul style="list-style-type: none"> • rated isolation voltage rms, reinforced isolation: 300V rated isolation voltage rms, single isolation: 2000V with IEC 61010-1 standards and following conditions: over voltage category III, pollution degree 2 • rms voltage, AC isolation test, 50/60Hz, 1min: 4.9kV • impuls withstand voltage 1.2/50us: 9.1kV • rated isolation voltage rms, reinforced isolation: 600V rated isolation voltage rms, single isolation: 1000V with EN50178 standards and following conditions: over voltage category III, pollution degree 2 • creepage distance: 10mm • clearance distance: 10mm • comparative tracking index CTI: 600V <p>Attention: when using Busbar without isolation regard DSUB cable isolation or avoid contact!!</p>
Degree of pollution	2
Operating temperature	+10°C to +50°C (operation down to -20°C is possible, please note: ‘non condensing ambient conditions’ and ‘specified temperature drift in the range of -20°C to +10°C is typical, not guaranteed’)
Storage temperature	-20°C to +85°C
Humidity (non condensing)	20-80% RH
Weight	1kg
Output connection	depending on adapter cable to LMGxx
supply	±15V / 600mA

The transformers are only allowed to operate with cables which - according to the printing on the cable - are designed for this individual transformer.

2.19.3 Accuracy

Accuracies based on: sinusoidal current, ambient temperature 23±3°C, calibration interval 1 year, conductor in the middle of the transducer.

Frequency	Amplitude error±(% of meas.value+% of measuring range PSU)	Phase error
DC to 100Hz	0.015+0.005	0.02°
100Hz to 2.5kHz	0.015+0.005	0.1°
2.5kHz to 10kHz	0.05+0.025	0.2°
10kHz to 30kHz	0.6 to 0.2	0.7°
30kHz to 100kHz	6+3	3°

Temperature coefficient (+10°C to +50°C)	< ±0.12mA/K
--	-------------

See specification of the LMG connection cable for the LMG measuring ranges and to calculate the accuracy of the complete system.

2.19.4 Sensor operation without supply

It is important to assure a stable power supply of the sensor before switching on the load current! The **operation** of the sensor with load current and **without supply will cause damage** of the sensor and/or of the LMG/supply unit!

To remove the LMG/supply unit from the test location without removing the PSU sensors from the current path, you can do alternatively:

- Leave the PSU at the current path and disconnect the cable at the PSU side.
Disconnect the DSUB9 plug from the PSU and interconnect all of the 9 pins with the shield at the **PSU** plug.

or:

- Leave the PSU and the connection cable at the current path and disconnect the cable at the LMG/supply unit side.

1. Systems with supply via LMG:

Disconnect the HDSUB15 plug from the LMG and connect all of the 15 pins and the shield at the **cable** plug together

2. Systems with supply via supply unit SSU4:

Disconnect the HDSUB15 plug from the LMG and disconnect the DSUB9 plug from the supply unit SSU4. Connect all of the 15 pins and the shield at the **LMG cable** plug together and connect all of the 9 pins and the shield at the **SSU4 cable** plug together

To do this, the load current has to be switched off!

2.19.5 Connection of the sensor with LMG90/310 or other instruments with current input

Use sensor supply unit SSU4 and PSU-K3/K5/K10 and SSU4-K-L31 and direct current inputs I* and I.

2.19.6 Connection of the sensor with LMG95

You can use PSU600-K3-L95, supply via LMG95, no additional error terms, but only two ranges and not suitable for small currents.

With slightly less accuracy at fullrange, but with considerably more dynamic range and so better accuracy at small currents it is better to use PSU600-BUR15.

It depends on the magnitude and the dynamic of the measuring current, which connection is better.

2.19.6.1 PSU600-K3-L95

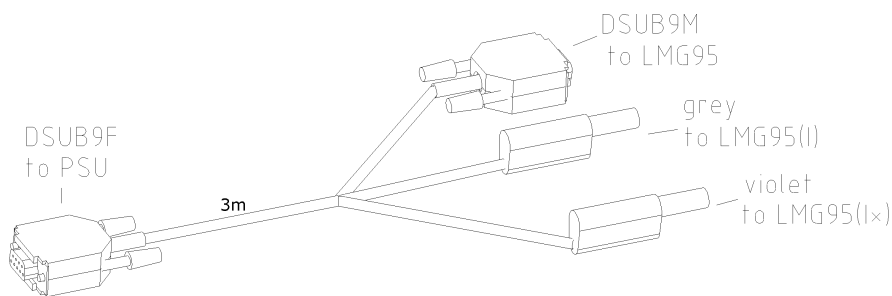


Figure 66: PSU600-K3-L95, for direct connection of the PSU600 to the current input of the LMG95

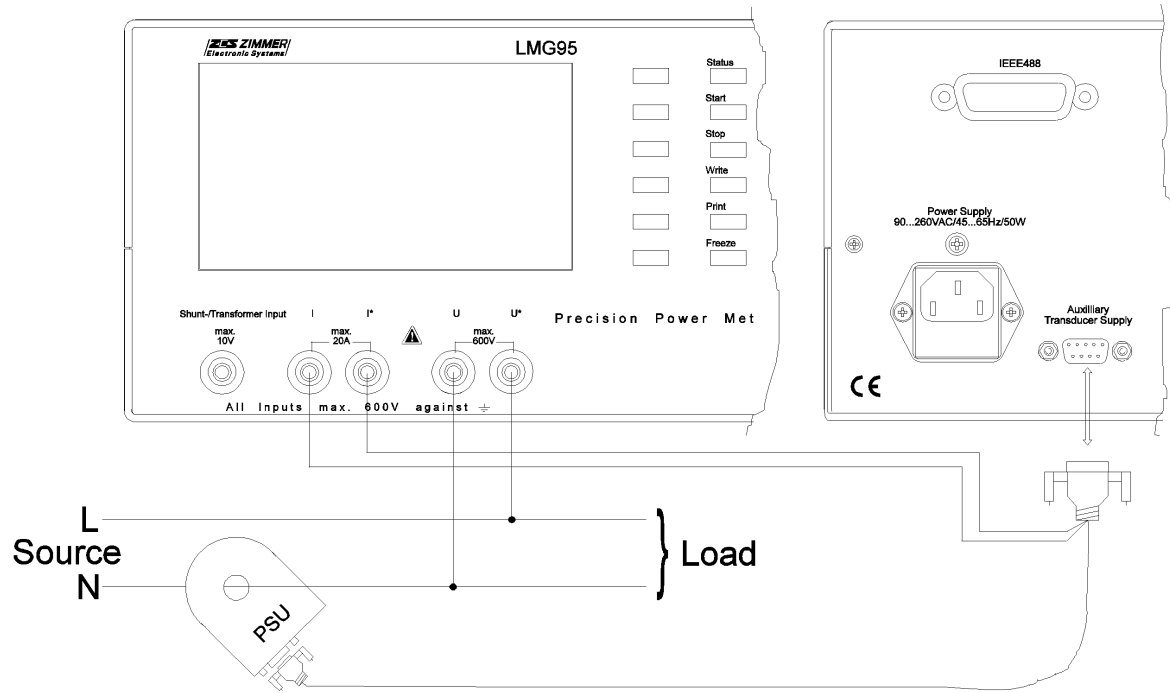


Figure 67: Connection of one PSU600 to the LMG95

Accuracy

Use PSU600 and LMG95 specifications to calculate the accuracy of the complete system.

Measuring ranges

nominal value	225A	450A
max. trms value	450A	900A
max. peak value	703.5A	1407A

limited by PSU600 to max. 600Apk!

2.19.6.2 Precision burden for PSU600 and LMG95 (PSU600-BUR15)

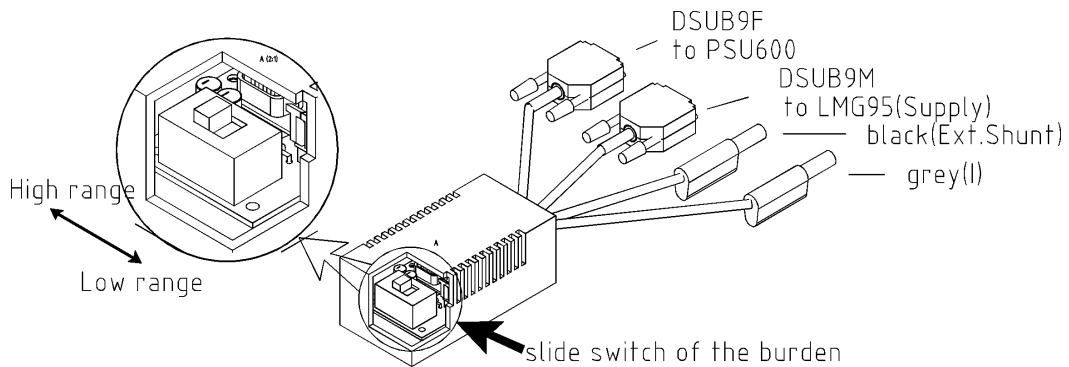


Figure 68: PSU 600 - BUR15, to connect the PSU600 to the shunt input of the LMG95 directly.

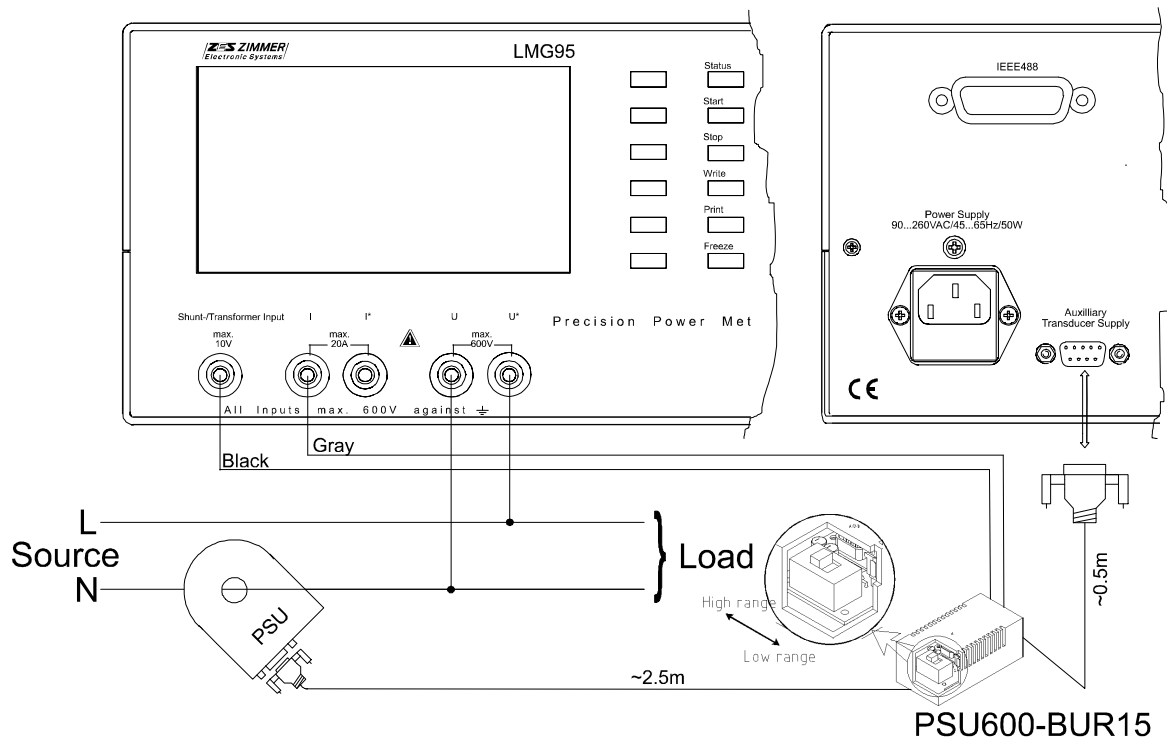


Figure 69: Connection of PSU600 and BUR15 to the LMG95

Specifications

Range (Selected with internal slide switch of the PSU600-BUR15)	Low	High
Necessary scale setting at the LMG95	100	1000
Displayed measurement ranges at the LMG95	3/6/12/25/50/100/200/400A	30/60/120/250/500/1000/2000/4000A
Measurable Peak Current <small>*limited by the PSU600</small>	9/18/36/75/150/300/ 350*/350* A _{pk}	90/180/360/600*/600*/ 600*/600*/600* A _{pk}
Maximum input	3kA for 0.1s	
Bandwidth	DC to 100kHz	
Protection class	300V CATIII; 600V CATII	
Degree of pollution	2	
Temperature range	+10°C to +50°C	
Weight	0.25kg	
Output connection	2x SUBD to PSU and Aux. supply socket of the LMG95; 2x laboratory plugs to ext. Shunt	

Accuracy

Accuracies based on: sinusoidal current, ambient temperature 23±3°C, calibration interval 1 year, conductor in the middle of the transducer.

Values including errors of PSU600 and PSU600-BUR15

Frequency in kHz	Amplitude error±(% of measuring value+% of measuring range)	Phase error
DC to 0.1	0.035+0.005	0.02°
0.1 to 2.5	0.035+0.005	0.1°
2.5 to 10	0.06+0.025	0.2°
10 to 30	0.6 to 0.2	0.7°
30 to 100	6+3	3°

Use this table and LMG specifications to calculate the accuracy of the complete system.

2.19.7 Connection of the sensor with LMG450 (PSU600-K-L45)

Use PSU600-K-L45 and SSU4.

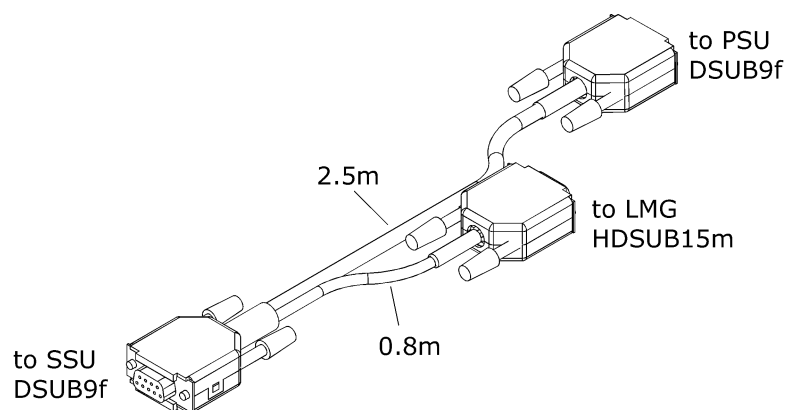


Figure 70: PSU600-K-L45, to connect the PSU600 to the LMG450 and the SSU4

This cable 'PSU600-K-L45' is used to connect a precision current sensor PSU600 to a power meter LMG450 and to supply it by a sensor supply unit SSU4.

In the connector to the LMG450 the adjustment data of the PSU600 head are available as well as it's serial number. For this reason this connector is delivered already mounted to the PSU600 head and the screws are sealed, when you have ordered the package 'PSU600-L45'. This should prevent, that the wrong PSU600 head is connected to the cable.

The connection is quiet simple:

- Switch all power off and plug the connector labeled 'SSU-4' to the SSU-4.
- Plug the connector labeled 'LMG450' to the LMG450 external sensor input.
- Now you can switch on the power and make your measurements. The power of the EUT should be switched on at least.

Measuring ranges (sensor input)

nominal value	10A	20A	40A	80A	160A	320A
max. trms value	18.75A	37.5A	75A	150A	300A	600A
max. peak value	18.75A	37.5A	75A	150A	300A	600A

limited by PSU600 to max. 600Apk!

Accuracy

Use PSU600 and LMG450 specifications to calculate the accuracy of the complete system.
Add $\pm 90\text{mA}$ DC offset tolerance.

2.19.8 Connection of the sensor with LMG500 (PSU600-K-L50)

Use PSU600-K-L50 and L50-Z14, supply via LMG500.

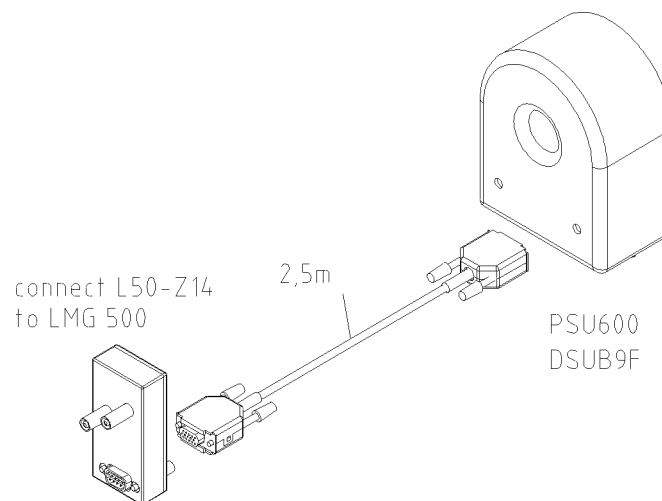


Figure 71: PSU600-K-L50, to connect PSU600 and LMG500

This cable 'PSU600-K-L50' is used to connect a precision current sensor PSU600 to the power meter LMG500.

In the connector to the LMG500 the adjustment data of the PSU600 head are available as well as it's serial number. For this reason this connector is delivered already mounted to the PSU600 head and the screws are sealed, when you have ordered the package 'PSU600-L50'. This should prevent, that the wrong PSU600 head is connected to the cable.

The connection is quiet simple:

Switch all power off, plug the connector labeled 'LMG500' to the adapter L50-Z14 mounted on the LMG500 current channel. Now you can switch on the power and make the measurements. The rangenames of LMG500, the sensor name and calibration data are read out of the sensor EEPROM automatically.

Measuring ranges (sensor input)

nominal value	2.5A	5A	10A	20A	40A	80A	160A	320A
max. trms value	4.69A	9.38A	18.75A	37.5A	75A	150A	300A	600A
max. peak value	4.69A	9.38A	18.75A	37.5A	75A	150A	300A	600A

limited by PSU600 to max. 600Apk!

Accuracy

Use PSU600 and LMG500 specifications to calculate the accuracy of the complete system.
Add $\pm 90\text{mA}$ DC offset tolerance.

2.19.9 Connection elongation

To use the current sensor with a longer connection length between power meter and PSU connect a well shielded 1:1 extension cable between the PSU (DSUB9f plug) and the PSU connection cable (DSUB9m plug) and screw both plugs together. This extension cable is available at ZES (LMG-Z-DVxx). Required length (up to 15m) is to be given by customer along with the order. Interference from strong electromagnetical disturbed environments may affect the measurement accuracy. This depends from the respective installation in the complete system and is out of responsibility of ZES ZIMMER.

2.20 Precision current transducer 700A (PSU700)

(This product is discontinued, for replacement see: PCT600)



Figure 72: PSU700

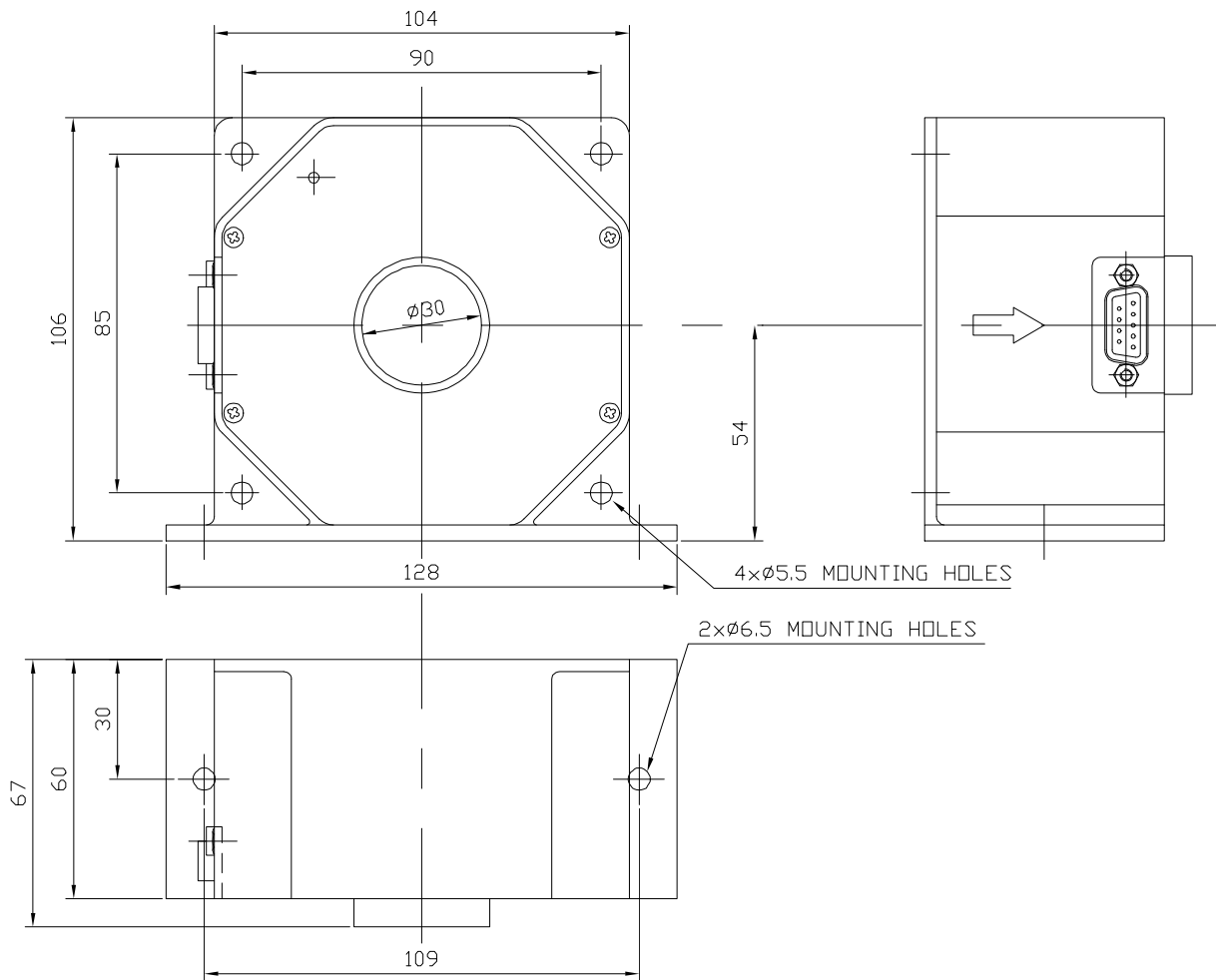


Figure 73: Dimensions of the PSU700

2.20.1 Safety warning!

Always connect the sensor first to the meter, and afterwards to the device under test.

Dont allow primary current without supply of the PSU!

Use connection cable and PSU together with the same serial number!

Please refer to chapter 1.1: ‘Safety precautions’!

2.20.2 Specifications

Nominal input current	700A
Transformation ratio	1750:1
Measuring range PSU	±700A _{pk}
Maximum input overload	770A _{eff} 3min 3.5kA 100ms
Bandwidth (small signal 0.5% of nominal input current) ±1dB ±3dB	DC to 50kHz DC to >100kHz
Slew rate (10%-90%)	>100A/us
Response time (to 90% of nominal input current)	<1us
Burden	0 .. 2.5 ohms
Isolation	<ul style="list-style-type: none"> • rated isolation voltage rms, reinforced isolation: 300V rated isolation voltage rms, single isolation: 1600V with IEC 61010-1 standards and following conditions: over voltage category III, pollution degree 2 • rms voltage, AC isolation test, 50/60Hz, 1min: 4.6kV • impuls withstand voltage 1.2/50us: 8.5kV • rated isolation voltage rms, reinforced isolation: 600V rated isolation voltage rms, single isolation: 1000V with EN50178 standards and following conditions: over voltage category III, pollution degree 2 • creepage distance: 9mm • clearance distance: 9mm • comparative tracking index CTI: 600V <p>Attention: when using Busbar without isolation regard DSUB cable isolation or avoid contact!!</p>
Degree of pollution	2
Operating temperature	+10°C to +50°C

	(operation down to -20°C is possible, please note: ‘non condensing ambient conditions’ and ‘specified temperature drift in the range of -20°C to +10°C is typical, not guaranteed’)
Storage temperature	-20°C to +85°C
Humidity (non condensing)	20-80% RH
Weight	approx. 0.8kg
Output connection	depending on adapter cable to LMGxx
supply	±15V / 480mA

The transformers are only allowed to operate with cables which - according to the printing on the cable - are designed for this individual transformer.

2.20.3 Accuracy

Accuracies based on: sinusoidal current, frequency DC to 100Hz, ambient temperature 23±3°C, calibration interval 1 year, conductor in the middle of the transducer.

Amplitude error ±(% of meas.value+% of measuring range PSU)	0.015%+0.005%
Phase error	0.02°
Temperature coefficient (+10°C to +50°C)	< ±0.35mA/K

See specification of the LMG connection cable for the LMG measuring ranges and to calculate the accuracy of the complete system.

2.20.4 Sensor operation without supply

It is important to assure a stable power supply of the sensor before switching on the load current! The **operation** of the sensor with load current and **without supply will cause damage** of the sensor and/or of the LMG/supply unit!

To remove the LMG/supply unit from the test location without removing the PSU sensors from the current path, you can do alternatively:

- Leave the PSU at the current path and disconnect the cable at the PSU side.
Disconnect the DSUB9 plug from the PSU and interconnect all of the 9 pins with the shield at the **PSU** plug.

or:

- Leave the PSU and the connection cable at the current path and disconnect the cable at the LMG/supply unit side.

1. Systems with supply via LMG:

Disconnect the HDSUB15 plug from the LMG and connect all of the 15 pins and the shield at the **cable** plug together

2. Systems with supply via supply unit SSU4:

Disconnect the HDSUB15 plug from the LMG and disconnect the DSUB9 plug from the supply unit SSU4. Connect all of the 15 pins and the shield at the **LMG cable** plug together and connect all of the 9 pins and the shield at the **SSU4 cable** plug together

To do this, the load current has to be switched off!

2.20.5 Connection of the sensor with LMG90/310 or other instruments with current input

Use sensor supply unit SSU4 with modification for PSU60/200/400/700 and PSU-K3/K5/K10 and SSU4-K-L31 and direct current inputs I^* and I .

2.20.6 Connection of the sensor with LMG95

Use PSU/PCT-K-L95, supply via LMG95, no additional error terms, but only one range and not suitable for small currents.

With slightly less accuracy at fullrange, but with considerably more dynamic range and so better accuracy at small currents it is also possible to use PSU700-K-L50 and L95-Z07. With this assembly you get 8 ranges and a good dynamic down to a few Amps, but a small additional error term from the PSU700-K-L50 cable. Set LMG current scaling factor appropriate to the scaling factor marked on the label on L95-Z07.

It depends on the magnitude and the dynamic of the measuring current, which connection is better.

2.20.7 Connection of the sensor with LMG450 (PSU700-K-L45)

Use PSU700-K-L45 and SSU4 (standard version, without modification).

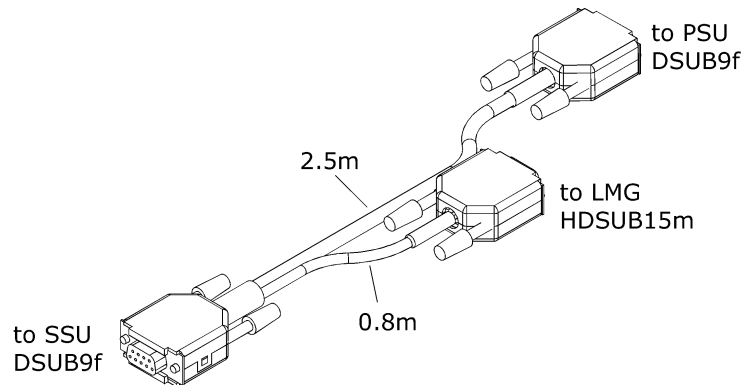


Figure 74: PSU700-K-L45, to connect the PSU700 to the LMG450 and the SSU4

This cable 'PSU700-K-L45' is used to connect a precision current sensor PSU700 to a power meter LMG450 and to supply it by a sensor supply unit SSU4.

In the connector to the LMG450 the adjustment data of the PSU700 head are available as well as it's serial number. For this reason this connector is delivered already mounted to the PSU700 head and the screws are sealed, when you have ordered the package 'PSU700-L45'. This should prevent, that the wrong PSU700 head is connected to the cable.

The connection is quiet simple:

- Switch all power off and plug the connector labeled 'SSU-4' to the SSU-4.
- Plug the connector labeled 'LMG450' to the LMG450 external sensor input.
- Now you can switch on the power and make your measurements. The power of the EUT should be switched on at least.

Measuring ranges (sensor input)

nominal value	10A	20A	40A	80A	160A	320A
max. trms value	21.88A	43.75A	87.5A	175A	350A	700A
max. peak value	21.88A	43.75A	87.5A	175A	350A	700A

limited by PSU700 to max. 700Apk!

Accuracy

Use PSU700 and LMG450 specifications to calculate the accuracy of the complete system.
Add $\pm 105\text{mA}$ DC offset tolerance.

2.20.8 Connection of the sensor with LMG500 (PSU700-K-L50)

Use PSU700-K-L50 and L50-Z14, supply via LMG500.

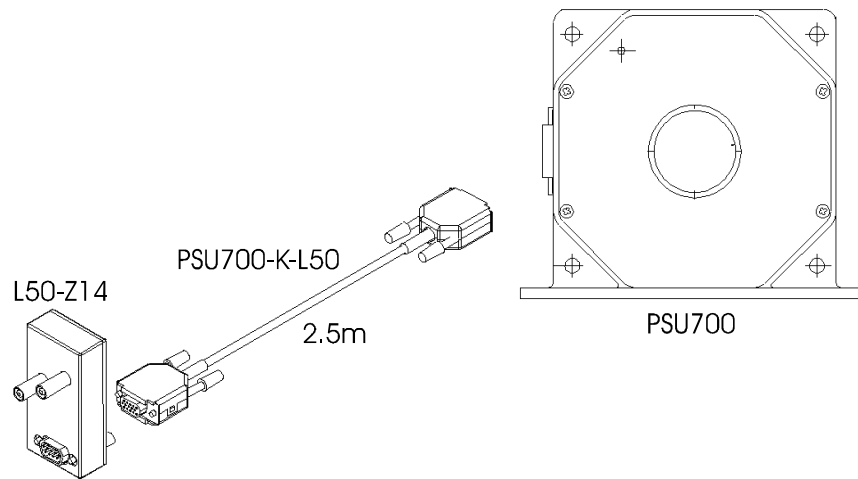


Figure 75: PSU700-K-L50, to connect PSU700 and LMG500

This cable 'PSU700-K-L50' is used to connect a precision current sensor PSU700 to the power meter LMG500.

In the connector to the LMG500 the adjustment data of the PSU700 head are available as well as it's serial number. For this reason this connector is delivered already mounted to the PSU700 head and the screws are sealed, when you have ordered the package 'PSU700-L50'. This should prevent, that the wrong PSU700 head is connected to the cable.

The connection is quiet simple:

Switch all power off, plug the connector labeled 'LMG500' to the adapter L50-Z14 mounted on the LMG500 current channel. Now you can switch on the power and make the measurements. The rangenames of LMG500, the sensor name and calibration data are read out of the sensor EEPROM automatically.

Measuring ranges (sensor input)

nominal value	2.4A	4.8A	9.6A	20A	40A	80A	160A	320A
max. trms value	5.47A	10.94A	21.88A	43.75A	87.5A	175A	350A	700A
max. peak value	5.47A	10.94A	21.88A	43.75A	87.5A	175A	350A	700A

limited by PSU700 to max. 700Apk!

Accuracy

Use PSU700 and LMG500 specifications to calculate the accuracy of the complete system. Add $\pm 105\text{mA}$ DC offset tolerance.

2.20.9 Connection elongation

To use the current sensor with a longer connection length between power meter and PSU connect a well shielded 1:1 extention cable between the PSU (DSUB9f plug) and the PSU

connection cable (DSUB9m plug) and screw both plugs together. This extension cable is available at ZES (LMG-Z-DV_{xx}). Required length (up to 15m) is to be given by customer along with the order. Interference from strong electromagnetical disturbed environments may affect the measurement accuracy. This depends from the respective installation in the complete system and is out of responsibility of ZES ZIMMER.

2.21 Precision current transducer 1000A (PSU1000HF)

(This product is discontinued, for replacement see: PCT600 and Danisense DS2000)

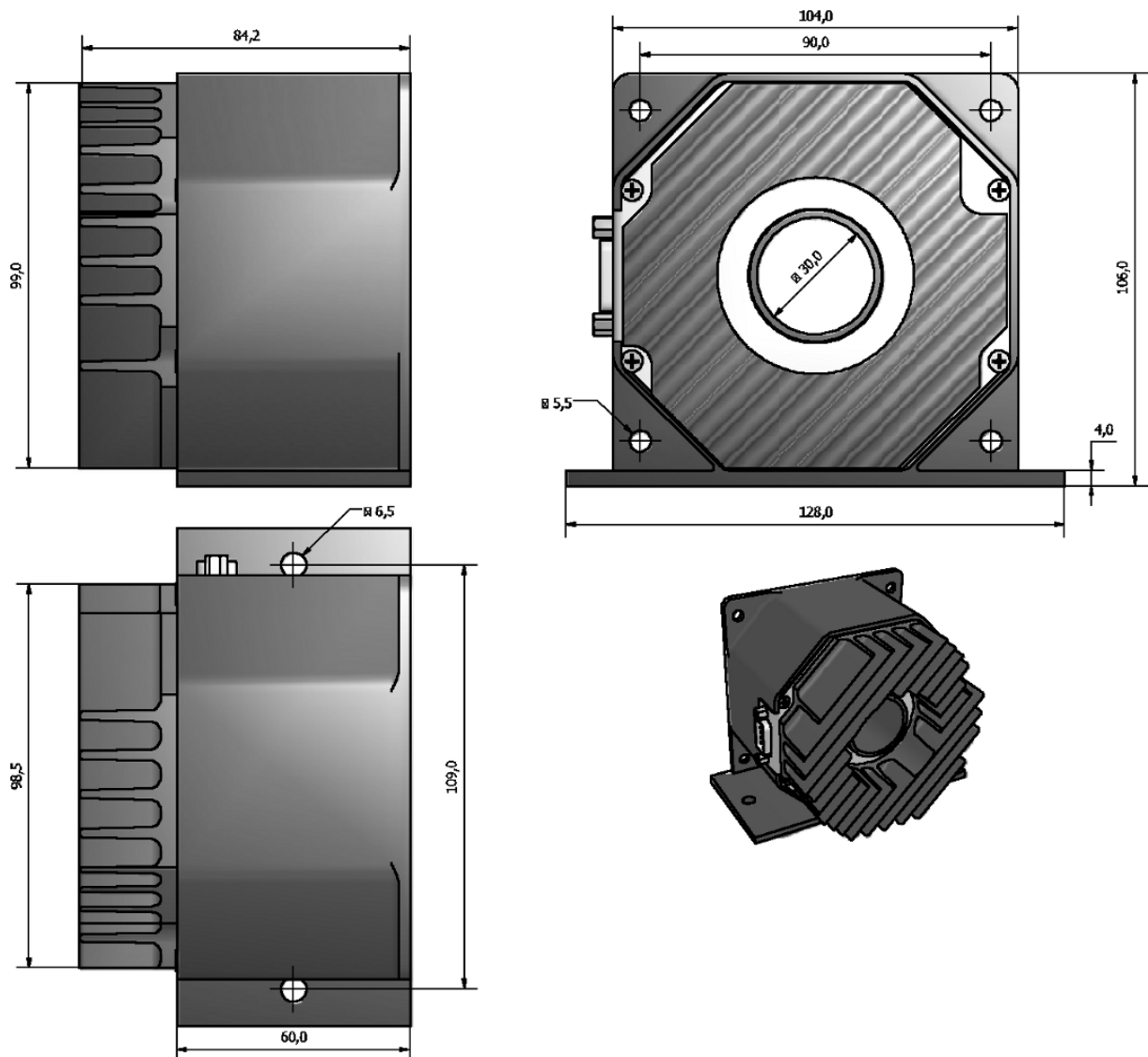


Figure 76: Dimensions of the PSU1000HF

2.21.1 Safety warning!

Always connect the sensor first to the meter, and afterwards to the device under test.

Dont allow primary current without supply of the PSU!

Use connection cable and PSU together with the same serial number!

Please refer to chapter 1.1: 'Safety precautions'!

2.21.2 Specifications

Nominal input current	1000A
Maximum trms value	1000A
Transformation ratio	1000:1
Measuring range PSU (with burden 0 .. 3 ohms, use this value for error calculation)	±1000A _{pk}
Measuring range PSU (if the total resistance of connection cable and burden resistor is < 1ohm)	±1414A _{pk}
Measuring range PSU (with LMG500 connection cable, standard length)	±1350A _{pk}
Maximum input overload	1100A _{eff} 3min 4kA 100ms
Bandwidth (small signal) ±3dB	DC to >500kHz
Slew rate (10%-90%)	>100A/us
Response time (to 90% of nominal input current)	<1us
Burden	0 .. 3 ohms
Isolation	<ul style="list-style-type: none"> • rated isolation voltage rms, reinforced isolation: 150V rated isolation voltage rms, single isolation: 300V with IEC 61010-1 standards and following conditions: over voltage category III, pollution degree 2 • rms voltage, AC isolation test, 50/60Hz, 1min: 3.1kV • impuls withstand voltage 1.2/50us: 5.7kV • rated isolation voltage rms, reinforced isolation: 150V rated isolation voltage rms, single isolation: 300V with EN50178 standards and following conditions: over voltage category III, pollution degree 2 • creepage distance: 5mm • clearance distance: 5mm • comparative tracking index CTI: 600V <p>Attention: when using Busbar without isolation regard DSUB cable isolation or avoid contact!!</p>
Degree of pollution	2

Operating temperature	+10°C to +50°C (operation down to -20°C is possible, please note: 'non condensing ambient conditions' and 'specified temperature drift in the range of -20°C to +10°C is typical, not guaranteed')
Storage temperature	-20°C to +85°C
Humidity (non condensing)	20-80% RH
Weight	approx. 1.0 kg
Output connection	depending on adapter cable to LMGxx
supply	±15V / 1.08A

The transformers are only allowed to operate with cables which - according to the printing on the cable - are designed for this individual transformer.

2.21.3 Accuracy

Accuracies based on: sinusoidal current, frequency DC to 100Hz, ambient temperature 23±3°C, calibration interval 1 year, conductor in the middle of the transducer.

Amplitude error ±(% of meas.value+% of measuring range PSU)	0.015%+0.005%
Phase error	0.02°
Temperature coefficient (+10°C to +50°C)	< ±0.5mA/K

See specification of the LMG connection cable for the LMG measuring ranges and to calculate the accuracy of the complete system.

2.21.4 Sensor operation without supply

It is important to assure a stable power supply of the sensor before switching on the load current! The **operation** of the sensor with load current and **without supply will cause damage** of the sensor and/or of the LMG/supply unit!

2.21.5 Connection of the sensor with LMG90/310 or other instruments with current input

Use SSU4 with modification for PSU1000HF and PSU-K3/K5/K10 to connect PSU1000HF with SSU4 and SSU4-K-L31 to connect current output of SSU4 with LMG90/310 I* and I.

2.21.6 Connection of the sensor with LMG95

Use SSU4 with modification for PSU1000HF and PSU-K3/K5/K10 to connect PSU1000HF with SSU4 and SSU4-K-L31 to connect current output of SSU4 with LMG95 I* and I.

2.21.7 Connection of the sensor with LMG450

Use PSU1000HF-K and SSU4 with modifikation for PSU1000HF.

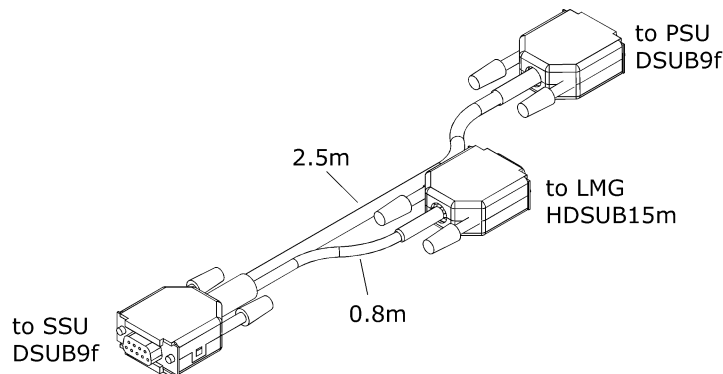


Figure 77: PSU1000HF-K, to connect the PSU1000HF to the LMG450 and the SSU4

This cable 'PSU1000HF-K' is used to connect a precision current sensor PSU1000HF to the power meter LMG450 and to supply it by a sensor supply unit SSU4.

In the connector to the LMG the adjustment data of the PSU head is available as well as it's serial number. For this reason this connector is delivered already mounted to the PSU head and the screws are sealed. This should prevent, that the wrong PSU head is connected to the cable.

The connection is quiet simple:

- Switch all power off and plug the connector labeled 'SSU-4' to the SSU-4.
- Plug the connector labeled 'LMG' to the LMG450 external sensor input
- Now you can switch on the power and make your measurements. The power of the EUT should be switched on at least.

Measuring ranges (sensor input)

nominal value	15A	31.25A	62.5A	125A	250A	500A
max. trms value	31.25A	62.5A	125A	250A	500A	1000A
max. peak value	31.25A	62.5A	125A	250A	500A	1000A

limited by PSU1000HF to max. 1000Apk!

(see specifications for detailed information)

Accuracy

Use PSU1000HF and LMG450 specifications to calculate the accuracy of the complete system. Add $\pm 150\text{mA}$ DC offset tolerance.

2.21.8 Connection of the sensor with LMG500

Use PSU1000HF-K and SSU4 **with modifikation for PSU1000HF**.

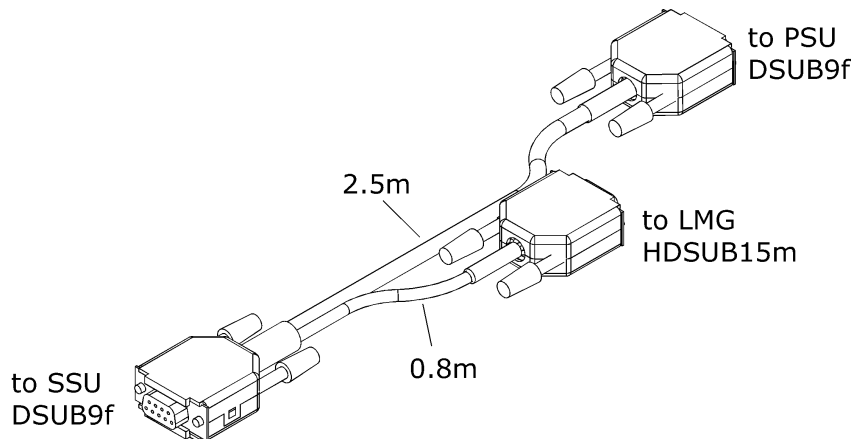


Figure 78: PSU1000HF-K, to connect the PSU1000HF to the LMG500 and the SSU4

This cable 'PSU1000HF-K' is used to connect a precision current sensor PSU1000HF to the power meter LMG500 and to supply it by a sensor supply unit SSU4.

In the connector to the LMG the adjustment data of the PSU head is available as well as it's serial number. For this reason this connector is delivered already mounted to the PSU head and the screws are sealed. This should prevent, that the wrong PSU head is connected to the cable.

The connection is quiet simple:

- Switch all power off and plug the connector labeled 'SSU-4' to the SSU-4.
- Plug the connector labeled 'LMG' to the LMG500 with Sensoradapter L50-Z14.
- Now you can switch on the power and make your measurements. The power of the EUT should be switched on at least.

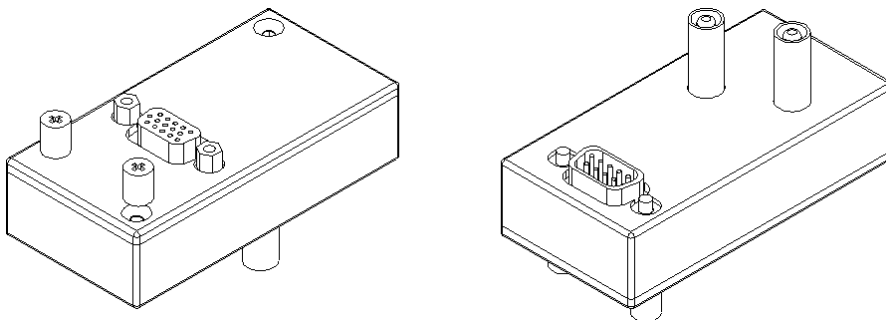


Figure 79: L50-Z14

Measuring ranges (sensor input)

nominal value	3.75A	7.5A	15A	31.25A	62.5A	125A	250A	500A
max. trms value	7A	15.625A	31.25A	62.5A	125A	250A	500A	1000A
max. peak value	7A	15.625A	31.25A	62.5A	125A	250A	500A	1000A

limited by PSU1000HF to max. 1000Apk!

(see specifications for detailed information)

Accuracy

Use PSU1000HF and LMG500 specifications to calculate the accuracy of the complete system. Add $\pm 150\text{mA}$ DC offset tolerance.

2.21.9 Connection elongation

To use the current sensor with a longer connection length between power meter and PSU connect a well shielded 1:1 extention cable between the PSU (DSUB9f plug) and the PSU connection cable (DSUB9m plug) and screw both plugs together. This extention cable is available at ZES (LMG-Z-DVxx). Required length (up to 15m) is to be given by customer along with the order. Interference from strong electromagnetical disturbed environments may affect the measurement accuracy. This depends from the respective installation in the complete system and is out of responsibility of ZES ZIMMER.

2.22 Precision current transducer 2/5kA (SATB2000,-5000)

(This product is discontinued, for replacement see: Danisense DS2000)

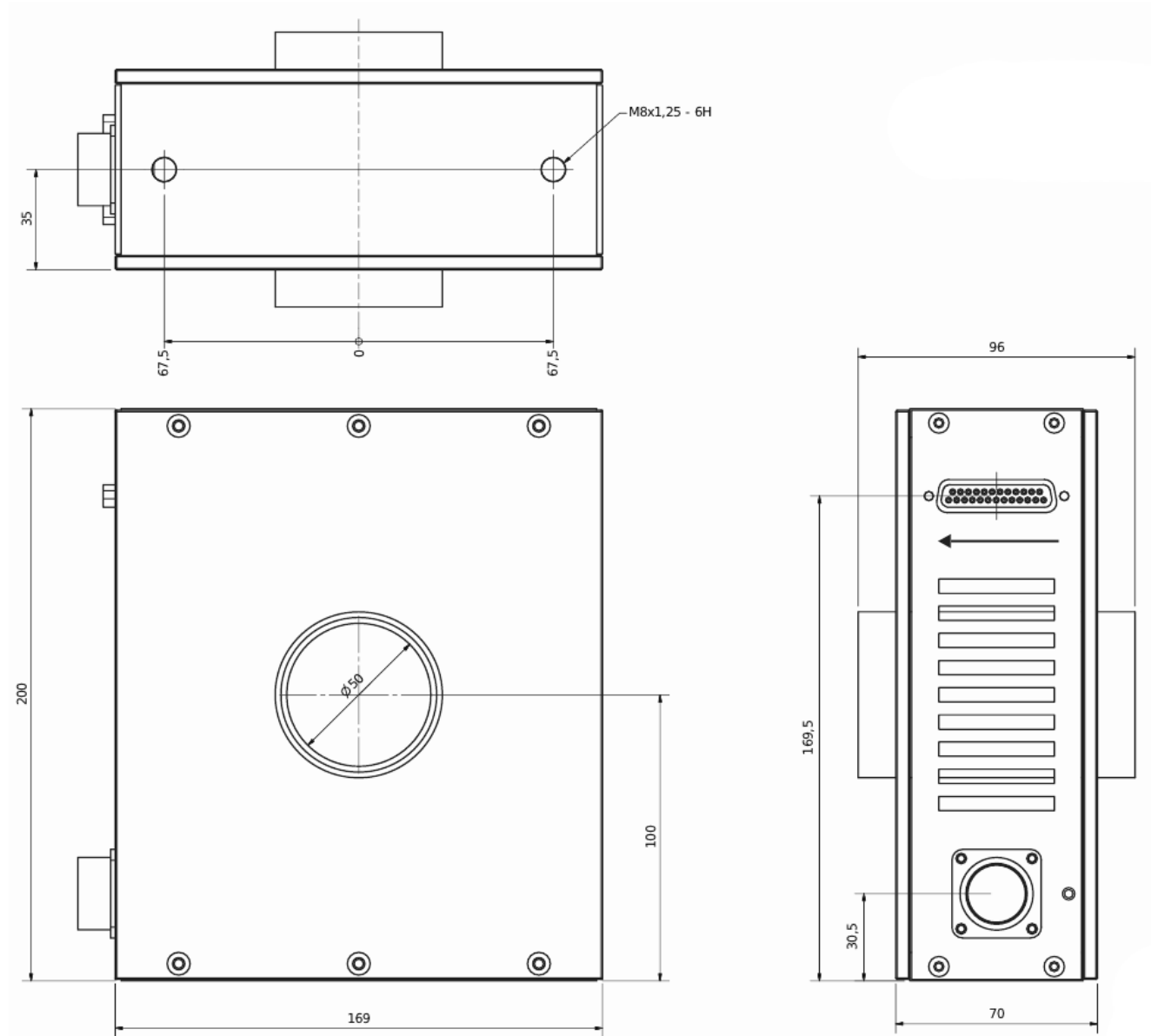


Figure 80: Dimensions of the SATB2000 transducer head

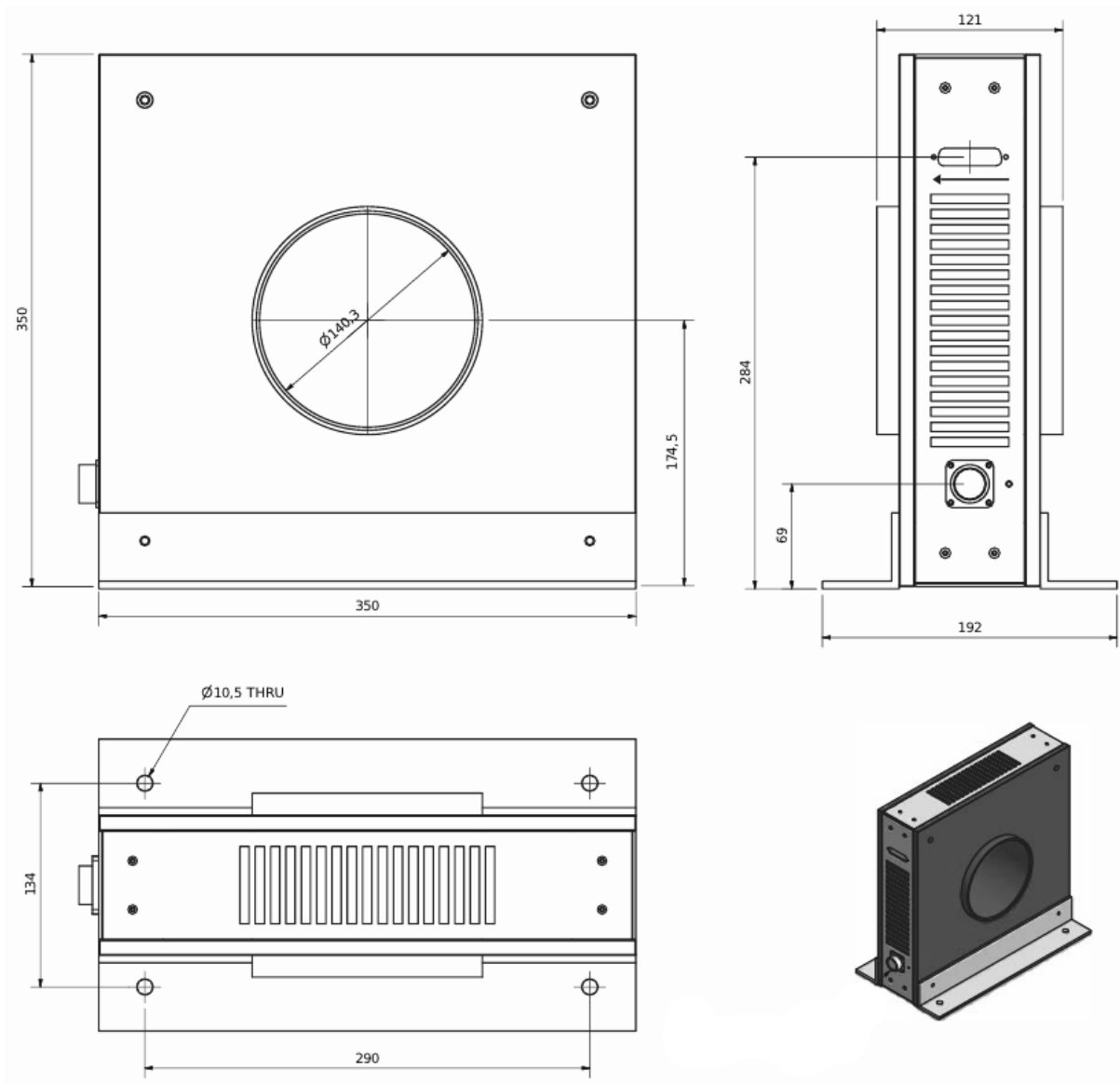


Figure 81: Dimensions of the SATB5000 transducer head



Figure 82: SATB three phase system

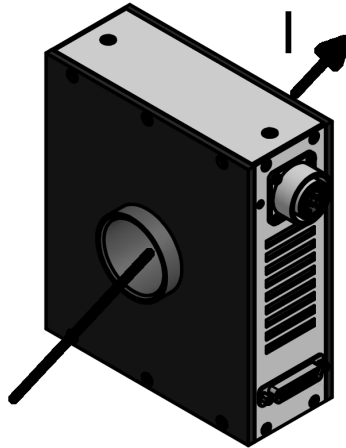


Figure 83: SATB technical current direction

2.22.1 Safety warning!

All transducer heads must be connected to earth ground!

First connect the transducer head to the unit using the transducer head cable and mount the programming plug in the connector on the head (not necessary with SATB2000hf), connect the power meter to the 4mm jacks, take care that the short circuit adapter is mounted on the DSUB15 analogue output jack, switch on the SAT supply rack and afterwards switch on the device under test.

It is mandatory that the secondary current path remains closed whenever the system is powered - if not, there is a risk of permanently damaging the system. Dont allow primary current without supply and proper connection of the SAT unit!

This transducer must be used in electric/electronic equipment with respect to applicable standards and safety requirements in accordance with the manufacturer's operating instructions. When operating the transducer, certain parts of the module can carry hazardous voltage (e.g. primary busbar, power supply). Ignoring this warning can lead to injury and/or cause serious damage. This transducer is a build-in device, whose conducting parts must be inaccessible after installation. A protective housing or additional shield could be used. Main supply must be able to be disconnected.

Please refer to chapter 1.1: 'Safety precautions'!

2.22.2 Grounding the transducer head

For safety reasons, all transducer heads must be connected to earth ground! Connect the earth wire to the transducer head using a M10 ring terminal fastened to one of the 4 mounting holes on the brackets.

2.22.3 Back panel

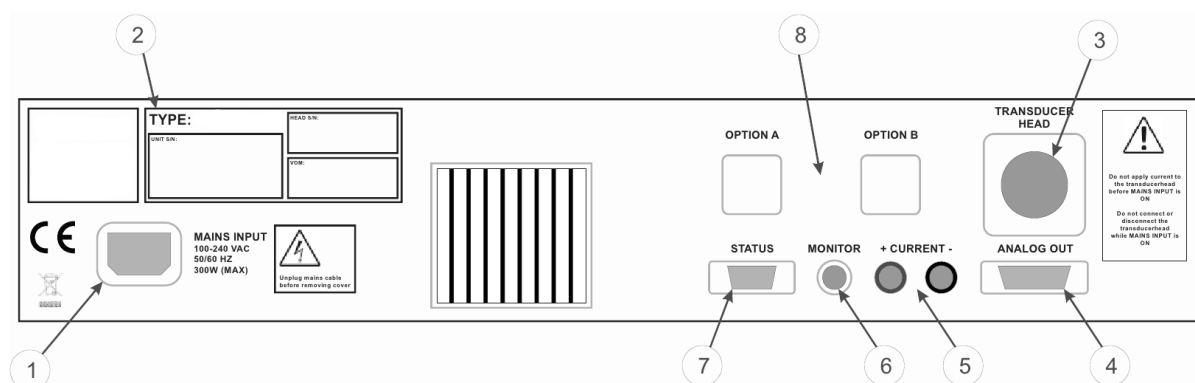


Figure 84: SATB electronics back panel

Reference	Description
1	IEC power inlet: This connector accepts a standard IEC power cord (supplied).
2	Type / Serial number plate. Three individual S/Ns may be listed here: One for the ITZ electronics, one for the matching head.
3	Transducer head: Connection to the transducer head.
4	DSUB15 Analog out, with short circuit plug
5	Current \pm : Secondary current output.
6	Monitor: Voltage output with a buffered replica of the secondary current, accuracy $\pm 5\%$
7	Status/Interlock signal outputs.
8	Option A+B: These positions are for future expansion (not used).

2.22.4 Quick start / power up the system

To quickly get your SAT system up and running follow the instructions:

- Connect the transducer head to the electronics and supply unit using the supplied transducer head cable and mount the programming plug head (not necessary with SATB2000hf and SATB5000) in the connector on the head.
Use Head and electronics with suitable serial numbers!
- Connect the precision power meter LMG to the SAT with the analogue 4mm current output jacks. Connect the red 4mm jack with I* and the black 4mm jack with I of the power meter.

Take care, that the the short circuit adapter is mounted on the DSUB15 analogue output jack!

- Take care that the transducer head is connected to earth!
- Connect the power cord, the system is powered.
- The SAT will now measure the current running through the transducer head. On the front plate the status of the unit can be monitored using the LEDs.

2.22.5 LEDs on the front

On the front of the electronics and supply rack there are 12 LEDs for indication of system status, warning and error:

POWER: This LED is lit (blue) when the unit is on.

ACTIVE: This LED is lit (yellow) when the transducer output is active, with I_p higher than approximately 1% of nominal full-scale output.

HIGH I_p : This LED is lit (yellow) when the transducer output is active with an I_p higher than 105% of nominal full-scale output.

OVERLOAD: This LED is lit (red) when the transducer head saturates due to excessive primary current.

600-24000A: The 2000A / 5000A LED (yellow) is lit according to the connected transducer head.

CUSTOM: This LED is lit (yellow) when the system setup has detected a custom head configuration.

STATUS: This LED is lit (green) when the status of the unit is OK.

2.22.6 Status / Interlock connector

All signals on the Status/Interlock connector are optically isolated, open-collector types. The four signals are present on the connector, each having two dedicated pins: collector (C) and emitter (E). The signals are “active low”, meaning that an active signal will draw current from collector to emitter.

OVERLOAD: Active low when the transducer head is saturated due to excessive primary current.

Pin 1: C / Pin 6: E

HIGH IP: Active low when the transducer output is active with an IP higher than 105% of nominal full-scale output.

Pin 2: C / Pin 7: E

ACTIVE: Active low when the transducer output is active, with an IP higher than approximately 1% of nominal full-scale output.

Pin 3: C / Pin 8: E

STATUS: Active low when the status of the unit is OK.

Pin 4: C / Pin 9: E

Electrical specification, each port:

Symbol	Detail	Specification	Unit
VCEO	Maximum off-state voltage	60	V
VECO	Maximum reverse off-state voltage	5	V
IC	Maximum on-state CE current	10	mA
VCE(sat)	Saturation CE voltage	<1	V

2.22.7 Analogue output connection

Do not remove the mounted shorter plug from the DSUB15-f analog out connector!

Connect the LMG I* and I jacks with the two standard 4mm jacks using the measuring leads delivered together with the power meter.

2.22.8 Mounting requirements

The electronics and supply unit must be mounted horizontally. To ensure proper cooling the heat sink on the right and the air inlet on the left side of the unit must be kept free. Failure to do this may result in improper cooling of the system which may lead to malfunction of the unit.

Transducer heads are mounted using four M10 screws inserted into the holes on the brackets. The heads can be installed in any directions.

2.22.9 General specifications

degree of pollution	2
operating environment	temperature transducer head: +0°C to +55°C temperature electronics rack: +10°C to +40°C humidity (noncondensing): 20-80%RH ambient storage temperature: -20°C to +85°C
power supply	100-240V, 50..60Hz, SATB2000: 50VA SATB5000: 100VA
electronics rack	480mm x 88mm x 430mm 8.4kg

monitor output, 5% accuracy	±1V
connection cable between transducer and supply unit	standard: 10m optional on request: 2.5m, 5m, 20m, 30m
analogue output connector	two standard 4 mm jacks
status/interlock connector	DSUB9 male

2.22.10 Specifications SATB2000

nominal input current	±125A _{pk} to ±2000A _{pk} , user selectable in 125A _{pk} steps, please specify at order
nominal secondary current	±1A _{pk}
transformation ratio	depends on programming adapter (max. nominal input current): 125:1 ... 2000:1
overload capacity	±10kA for 100ms
DC accuracy offset error: offset stability (no load): linearity error: temperature coefficient of I (10°C .. 40°C):	<2ppm <1ppm/month <2ppm <0.1ppm/K Use SATB2000 and LMG specifications to calculate the accuracy of the complete system.
bandwidth ±3dB (<1% I _{nom})	DC .. 80kHz
dynamic response, di/dt	slew rate (10%-90%): >20A/us delay time: <1us
external burden	0 .. 1.5 ohms
isolation characteristics	<ul style="list-style-type: none"> • rated isolation voltage rms, reinforced isolation: 1250V • rated isolation voltage rms, single isolation: 2500V with IEC 61010-1 standards and following conditions: over voltage category III, pollution degree 2 • rms voltage, AC isolation test, 50/60Hz, 1min: 10.8kV • impuls withstand voltage 1.2/50us: 19.9kV • rated isolation voltage rms, reinforced isolation: 1250V • rated isolation voltage rms, single isolation: 2500V with EN50178 standards and following conditions: over voltage category III, pollution degree 2 • creepage distance: 25mm • clearance distance: 25mm • comparative tracking index CTI: 100V

	Attention: when using Busbar without isolation regard output cable isolation or avoid contact!!
weight	transducer head: approx. 4.6kg

2.22.11 Specifications SATB5000

nominal input current	$\pm 5000\text{A}_{pk}$
nominal secondary current	$\pm 2\text{A}_{pk}$
transformation ratio	2500:1
overload capacity	$\pm 25\text{kA}$ for 100ms
DC accuracy offset error: offset stability (no load): linearity error: temperature coefficient of I (10°C .. 40°C):	<2ppm <1ppm/month <2ppm <0.1ppm/K Use SATB5000 and LMG specifications to calculate the accuracy of the complete system.
bandwidth $\pm 3\text{dB}$ (<0.5% I_{nom})	DC .. 80kHz
dynamic response, di/dt	slew rate (10%-90%): $>20\text{A}/\mu\text{s}$ delay time: <1 μs
external burden	0 .. 1.5 ohms
isolation characteristics	<ul style="list-style-type: none"> • rated isolation voltage rms, reinforced isolation: 2000V rated isolation voltage rms, single isolation: 4000V with IEC 61010-1 standards and following conditions: over voltage category III, pollution degree 2 • rms voltage, AC isolation test, 50/60Hz, 1min: 16.2kV • impuls withstand voltage 1.2/50μs: 29.8kV • rated isolation voltage rms, reinforced isolation: 2000V rated isolation voltage rms, single isolation: 4000V with EN50178 standards and following conditions: over voltage category III, pollution degree 2 • creepage distance: 40mm • clearance distance: 40mm • comparative tracking index CTI: 100V <p>Attention: when using Busbar without isolation regard output cable isolation or avoid contact!!</p>
weight	transducer head: approx. 17kg

2.22.12 Connection of the sensors with LMG90/310 or other instruments with current input

Use direct current inputs I* and I.

2.22.13 Connection of the SATB2000 sensor with LMG95

direct current input I* and I	150mA .. 1.2A range	4 ranges
with L95-O8-3 modification	40mA .. 1.2A range	6 ranges

2.22.14 Connection of the SATB2000 sensor with LMG450

direct current input I* and I	600mA .. 1.2A range	2 ranges
-------------------------------	---------------------	----------

2.22.15 Connection of the SATB2000 sensor with LMG500

direct current input I* and I	20mA .. 1.2A range	7 ranges
-------------------------------	--------------------	----------

2.22.16 Connection of the SATB5000 sensor with LMG95

direct current input I* and I	150mA .. 2.5A range	5 ranges
with L95-O8-3 modification	40mA .. 2.5A range	7 ranges

2.22.17 Connection of the SATB5000 sensor with LMG450

direct current input I* and I	600mA .. 2.5A range	3 ranges
-------------------------------	---------------------	----------

2.22.18 Connection of the SATB5000 sensor with LMG500

direct current input I* and I	20mA .. 2.5A range	8 ranges
-------------------------------	--------------------	----------

2.22.19 Included in delivery

- transducer head
- connection cable between transducer head and electronics rack, standard length 10m
- electronics 19 inch rack-mount with supply and electronics, including AC power cord
- programming plug, please specify the current range at order!
(no programming plug with SATB5000)
- short circuit adapter (mounted on the DSUB15 analogue output jack)

2.23 Hall current sensors, 50/100/200A (L45-Z28-HALLxx)

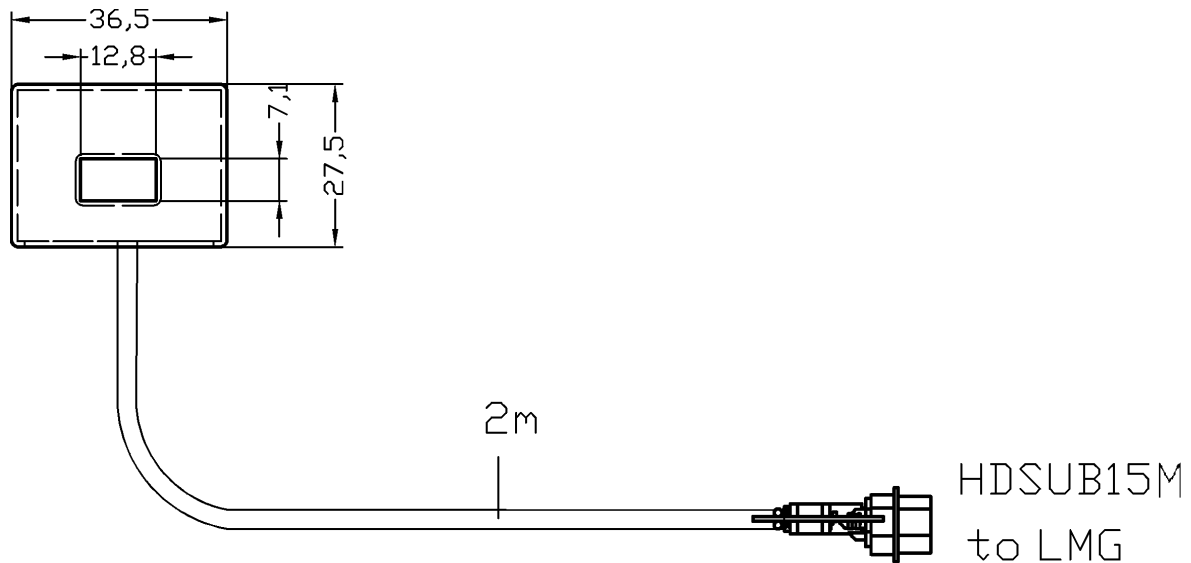


Figure 85: Dimensions of the L45-Z28-HALL50 and HALL100

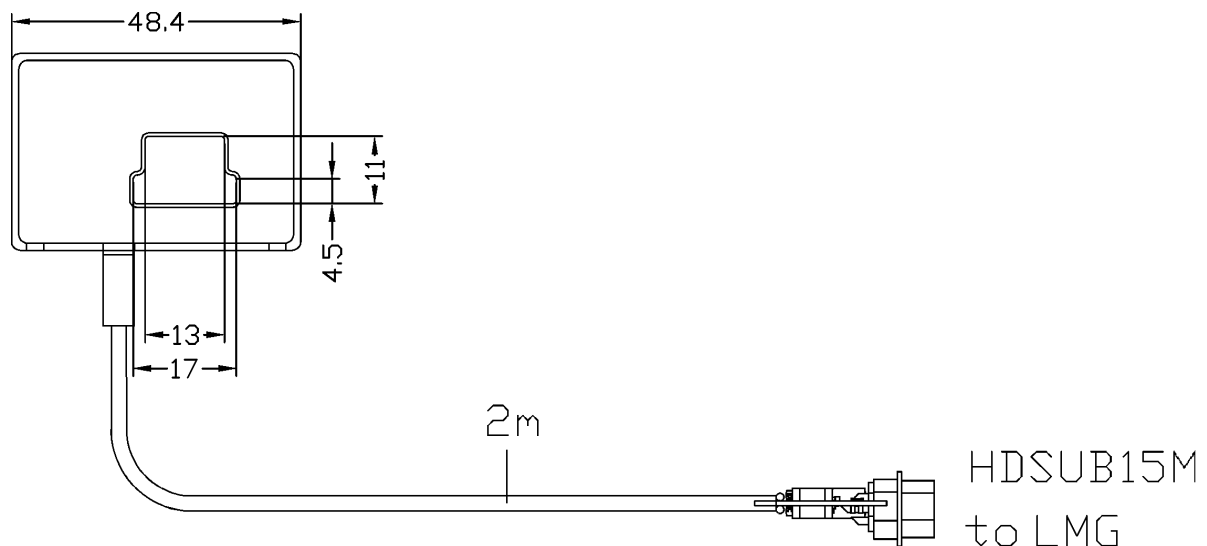


Figure 86: Dimensions of the L45-Z28-HALL200

2.23.1 Safety warning!

Always connect the sensor first to the meter, and afterwards to the device under test.
Connecting cable without safety isolation! Avoid contact to hazardous voltage!

Do not overload any current sensor with more than the measurable TRMS value!

Please refer to chapter 1.1: 'Safety precautions'!

2.23.2 Specifications and accuracies

Accuracies based on: sinusoidal current, ambient temperature $23\pm 3^{\circ}\text{C}$, calibration interval 1 year, conductor in the middle of the hall sensor.

Sensor	HALL50	HALL100	HALL200
Rated range value	35A	60A	120A
Measurable TRMS value	50A	100A	200A
Permissible peak value	70A	120A	240A
Accuracies in % of measurable TRMS value at DC .. 100Hz	±0.9	±0.7	±0.65
Linearity	0.15%	0.15%	0.15%
DC offset error at 25°C	±0.2A	±0.2A	±0.4A
DC offset thermal drift (0°C.. 70°C)	±0.5A	±0.5A	±0.5A
Response time at 90% of measurable TRMS value	<1µs	<1µs	<1µs
di/dt accurately followed	> 200A/µs	> 200A/µs	> 200A/µs
Bandwidth (-1dB)	DC to 200kHz	DC to 200kHz	DC to 100kHz

Use HALLxx and LMG specifications to calculate the accuracy of the complete system.

This sensors are supplied by the HD15 sensor connector of the LMG.

The transformers are only allowed to operate with cables which - according to the printing on the cable - are designed for this individual transformer.

2.23.3 Sensor operation without supply

It is important to assure a stable power supply of the sensor before switching on the load current! The **operation** of the sensor with load current and **without supply will cause damage** of the sensor and/or of the LMG/supply unit!

To remove the LMG/supply unit from the test location without removing the sensors from the current path, disconnect the HD15 plug from the LMG and connect all of the 15pins together with ground (shield of the plug). To do this, the load current has to be switched off!

2.23.4 Connection of the sensor with LMG90/310

The use with LMG90 and LMG310 is not possible.

2.23.5 Connection of the sensor with LMG95

Use L95-Z07, internal supply via LMG and the Isensor/external shunt input. Set LMG current scaling factor appropriate to the scaling factor marked on the label on L95-Z07.

2.23.6 Connection of the sensor with LMG450

Use sensor input, you get the following ranges:

HALL50:

nominal value	1.09A	2.19A	4.38A	8.75A	17.5A	35A
---------------	-------	-------	-------	-------	-------	-----

max. trms value	1.57A	3.13A	6.25A	12.5A	25A	50A
max. peak value	2.19A	4.38A	8.75A	17.5A	35A	70A

HALL100:

nominal value	1.88A	3.75A	7.5A	15A	30A	60A
max. trms value	3.13A	6.25A	12.5A	25A	50A	100A
max. peak value	3.75A	7.5A	15A	30A	60A	120A

HALL200:

nominal value	3.75A	7.5A	15A	30A	60A	120A
max. trms value	6.25A	12.5A	25A	50A	100A	200A
max. peak value	7.5A	15A	30A	60A	120A	240A

2.23.7 Connection of the sensor with LMG500

Use L50-Z14, you get the following ranges:

HALL50:

nominal value	0.27A	0.55A	1.09A	2.19A	4.38A	8.75A	17.5A	35A
max. trms value	0.39A	0.79A	1.57A	3.13A	6.25A	12.5A	25A	50A
max. peak value	0.55A	1.09A	2.19A	4.38A	8.75A	17.5A	35A	70A

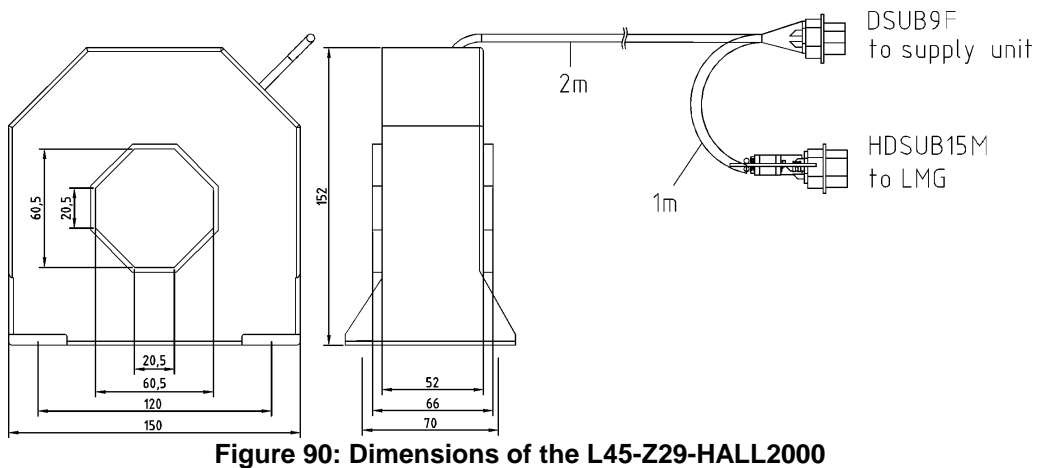
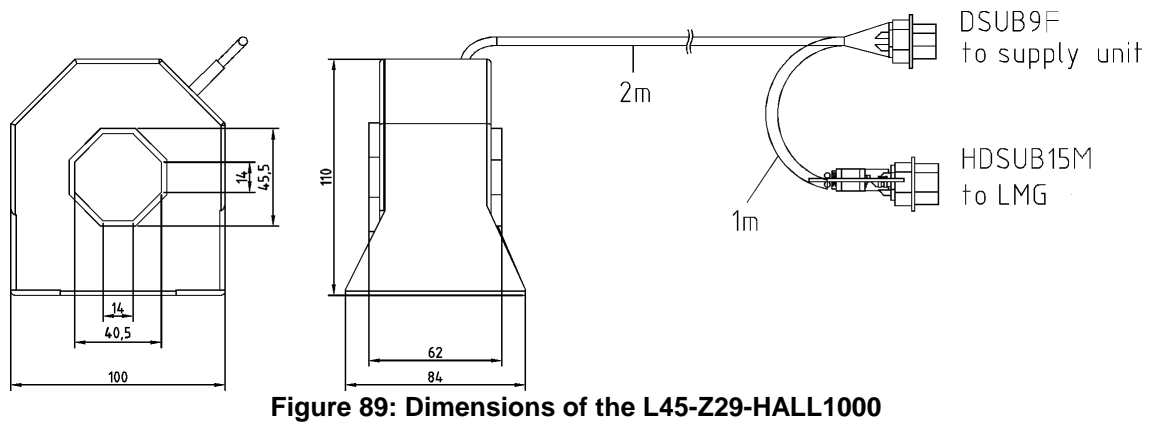
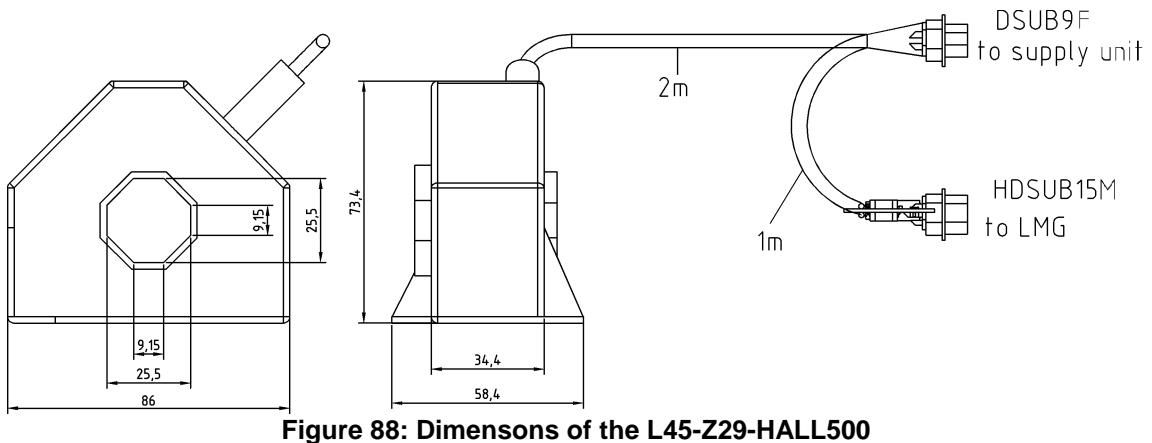
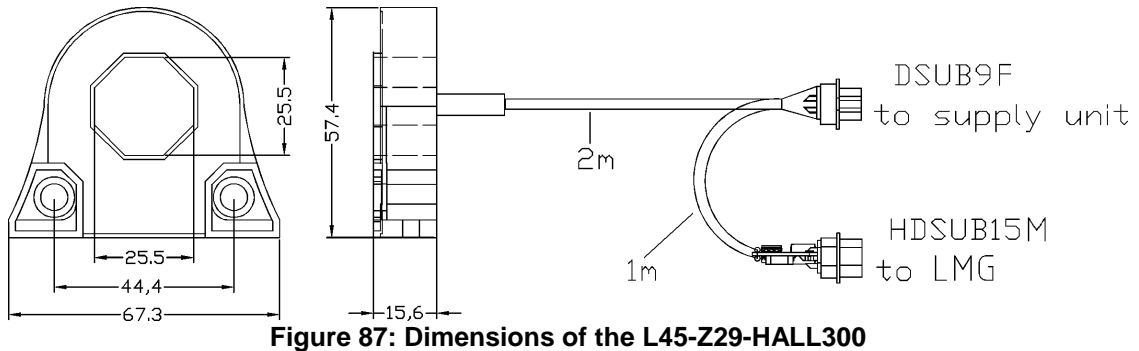
HALL100:

nominal value	0.47A	0.94A	1.88A	3.75A	7.5A	15A	30A	60A
max. trms value	0.79A	1.57A	3.13A	6.25A	12.5A	25A	50A	100A
max. peak value	0.94A	1.88A	3.75A	7.5A	15A	30A	60A	120A

HALL200:

nominal value	0.94A	1.88A	3.75A	7.5A	15A	30A	60A	120A
max. trms value	1.57A	3.13A	6.25A	12.5A	25A	50A	100A	200A
max. peak value	1.88A	3.75A	7.5A	15A	30A	60A	120A	240A

2.24 Hall current sensors, 300/500/1k/2kA (L45-Z29-HALLxx)



2.24.1 Safety warning!

Always connect the sensor first to the meter, and afterwards to the device under test.

Connecting cable without safety isolation! Avoid contact to hazardous voltage!

Do not overload any current sensor with more than the measurable TRMS value!

Please refer to chapter 1.1: 'Safety precautions'!

2.24.2 Specifications and accuracies

Accuracies based on: sinusoidal current, ambient temperature $23\pm 3^{\circ}\text{C}$, calibration interval 1 year, conductor in the middle of the hall sensor.

Sensor	HALL300	HALL500	HALL1000	HALL2000
Rated range value	250A	400A	600A	1000A
Measurable TRMS value	300A	500A	1000A	2000A
Permissible peak value	500A	800A	1200A	2100A
Accuracies in % of measurable TRMS value at DC .. 100Hz	± 0.4	± 0.8	± 0.4	± 0.3
Linearity	0.1%	0.1%	0.1%	0.1%
DC offset error at 25°C	$\pm 0.4\text{A}$	$\pm 0.5\text{A}$	$\pm 2\text{A}$	$\pm 4\text{A}$
DC offset thermal drift ($0^{\circ}\text{C}.. 70^{\circ}\text{C}$)	$\pm 1.3\text{A}$	$\pm 0.6\text{A}$	$\pm 2.5\text{A}$	$\pm 1.5\text{A}$
Response time at 90% of measurable TRMS value	$< 1\mu\text{s}$	$< 1\mu\text{s}$	$< 1\mu\text{s}$	$< 1\mu\text{s}$
di/dt accurately followed	$> 100\text{A}/\mu\text{s}$	$> 100\text{A}/\mu\text{s}$	$> 50\text{A}/\mu\text{s}$	$> 50\text{A}/\mu\text{s}$
Bandwidth (-1dB)	DC..100kHz	DC..100kHz	DC..150kHz	DC..100kHz
Supply current @ $\pm 15\text{V}$	270mA	420mA	270mA	460mA

Use HALLxx and LMG specifications to calculate the accuracy of the complete system.

The transformers are only allowed to operate with cables which - according to the printing on the cable - are designed for this individual transformer.

This sensors have an additional 9 pin SUB-D connector for an external supply (for example SSU4). If you want to use your own supply, you have to use the following pins of the 9 pin SUB-D connector:

GND: Pin 3 **and** Pin 4 (always connect both)

-15V Pin 5

+15V Pin 9

Please make sure, that your own power supply can drive the needed supply current. If you offer too few current you will get distortions and other accuracy losses in your measured current without warning!

2.24.3 Sensor operation without supply

It is important to assure a stable power supply of the sensor before switching on the load current! The **operation** of the sensor with load current and **without supply will cause damage** of the sensor and/or of the LMG/supply unit!

To remove the LMG/supply unit from the test location without removing the sensors from the current path, disconnect the DSUB9 plug and the HD15 plug from the LMG and connect all of the 9pins and all of the 15pins together with ground (shield of the plugs). To do this, the load current has to be switched off!

2.24.4 Connection of the sensor with LMG90/310

The use with LMG90 and LMG310 is not possible.

2.24.5 Connection of the sensor with LMG95

The use with LMG95 is not recommended, better use: L50-Z29-Hallxx and L95-Z07. Set LMG current scaling factor appropriate to the scaling factor marked on the label on L95-Z07.

2.24.6 Connection of the sensor with LMG450

Use sensor input, you get the following ranges:

HALL300:

nominal value	7.8A	15.6A	31.1A	62.5A	125A	250A
max. trms value	9.4A	18.7A	37.5A	75A	150A	300A
max. peak value	15.6A	31.1A	62.5A	125A	250A	500A

HALL500:

nominal value	12.5A	25A	50A	100A	200A	400A
max. trms value	15.6A	31.1A	62.5A	125A	250A	500A
max. peak value	25A	50A	100A	200A	400A	800A

HALL1000:

nominal value	18.7A	37.5A	75A	150A	300A	600A
max. trms value	31.1A	62.5A	125A	250A	500A	1000A
max. peak value	37.5A	75A	150A	300A	600A	1200A

HALL2000:

nominal value	31.1A	62.5A	125A	250A	500A	1000A
max. trms value	62.5A	125A	250A	500A	1000A	2000A

max. peak value	65.6A	131A	263A	525A	1050A	2100A
-----------------	-------	------	------	------	-------	-------

2.24.7 Connection of the sensor with LMG500

The use with LMG500 is not recommended, please see L50-Z29-Hallxx

2.25 Hall current sensors, 300/500/1k/2kA (L50-Z29-HALLxx)

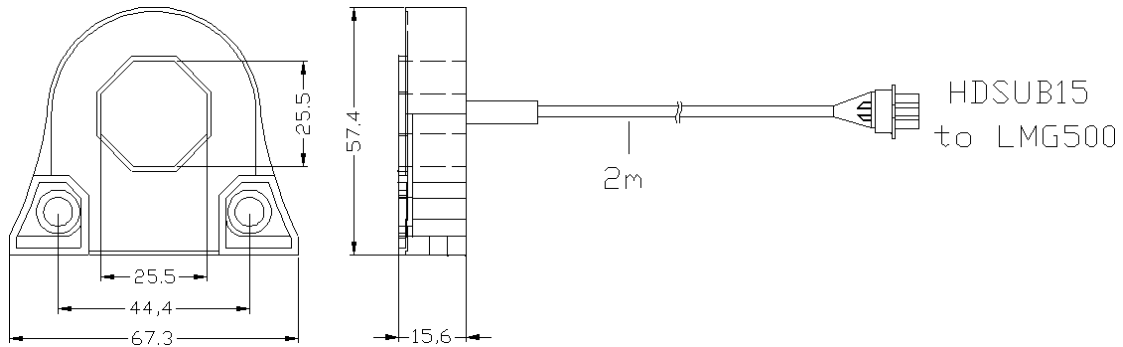


Figure 91: Dimensions of the L50-Z29-Hall300

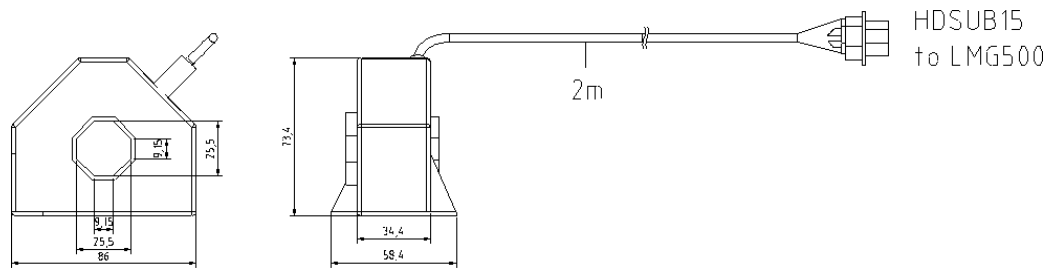


Figure 92: Dimensions of the L50-Z29-Hall500

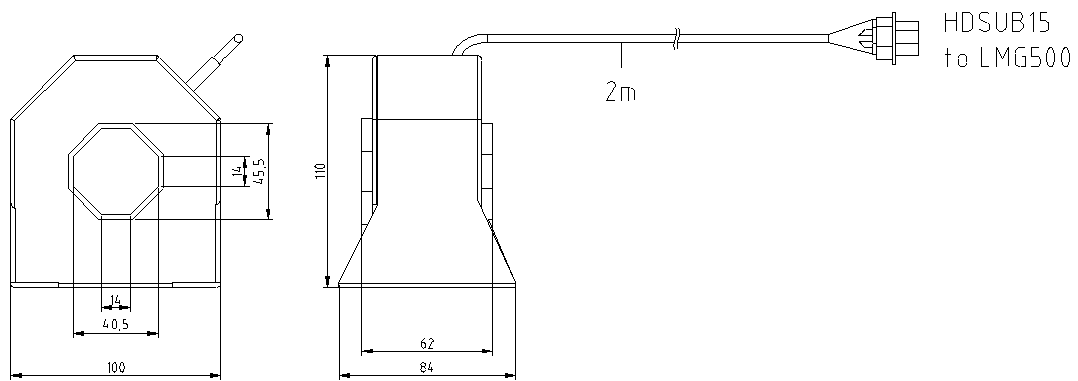


Figure 93: Dimensions of the L50-Z29-Hall1000

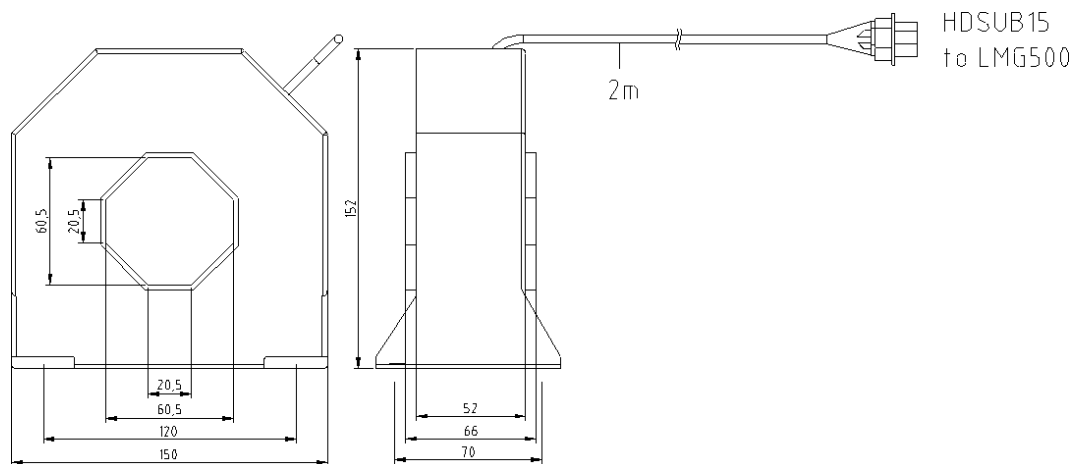


Figure 94: Dimensions of the L50-Z29-Hall2000

2.25.1 Safety warning!

Always connect the sensor first to the meter, and afterwards to the device under test.

Connecting cable without safety isolation! Avoid contact to hazardous voltage!

Do not overload any current sensor with more than the measurable TRMS value!

Please refer to chapter 1.1: 'Safety precautions'!

2.25.2 Specifications and accuracies

Accuracies based on: sinusoidal current, ambient temperature $23\pm 3^{\circ}\text{C}$, calibration interval 1 year, conductor in the middle of the hall sensor.

Sensor	HALL300	HALL500	HALL1000	HALL2000
Rated range value	250A	400A	600A	1000A
Measurable TRMS value	300A	500A	1000A	2000A
Permissible peak value	500A	800A	1200A	2100A
Accuracies in % of measurable TRMS value at DC .. 100Hz	± 0.4	± 0.8	± 0.4	± 0.3
Linearity	0.1%	0.1%	0.1%	0.1%
DC offset error at 25°C	$\pm 0.4\text{A}$	$\pm 0.5\text{A}$	$\pm 2\text{A}$	$\pm 4\text{A}$
DC offset thermal drift ($0^{\circ}\text{C}.. 70^{\circ}\text{C}$)	$\pm 1.3\text{A}$	$\pm 0.6\text{A}$	$\pm 2.5\text{A}$	$\pm 1.5\text{A}$
Response time at 90% of measurable TRMS value	$< 1\mu\text{s}$	$< 1\mu\text{s}$	$< 1\mu\text{s}$	$< 1\mu\text{s}$
di/dt accurately followed	$> 100\text{A}/\mu\text{s}$	$> 100\text{A}/\mu\text{s}$	$> 50\text{A}/\mu\text{s}$	$> 50\text{A}/\mu\text{s}$
Bandwidth (-1dB)	DC..100kHz	DC..100kHz	DC..150kHz	DC..100kHz

Use HALLxx and LMG specifications to calculate the accuracy of the complete system.

The transformers are only allowed to operate with cables which - according to the printing on the cable - are designed for this individual transformer.

2.25.3 Sensor operation without supply

It is important to assure a stable power supply of the sensor before switching on the load current! The **operation** of the sensor with load current and **without supply will cause damage** of the sensor and/or of the LMG/supply unit!

To remove the LMG/supply unit from the test location without removing the sensors from the current path, disconnect the HD15 plug from the LMG and connect all of the 15pins together with ground (shield of the plug). To do this, the load current has to be switched off!

2.25.4 Connection of the sensor with LMG90/310

The use with LMG90 and LMG310 is not possible.

2.25.5 Connection of the sensor with LMG95

Use L95-Z07, internal supply via LMG and the Isensor/external shunt input. Set LMG current scaling factor appropriate to the scaling factor marked on the label on L95-Z07.

2.25.6 Connection of the sensor with LMG450

The use with LMG450 is **not possible!**

2.25.7 Connection of the sensor with LMG500

Use L50-Z14, internal supply via LMG, you get the following ranges:

HALL300:

nominal value	2A	3.9A	7.8A	15.6A	31.1A	62.5A	125A	250A
max. trms value	2.4A	4.7A	9.4A	18.7A	37.5A	75A	150A	300A
max. peak value	3.9A	7.8A	15.6A	31.1A	62.5A	125A	250A	500A

HALL500:

nominal value	3.13A	6.25A	12.5A	25A	50A	100A	200A	400A
max. trms value	3.9A	7.8A	15.6A	31.1A	62.5A	125A	250A	500A
max. peak value	6.25A	12.5A	25A	50A	100A	200A	400A	800A

HALL1000:

nominal value	4.7A	9.4A	18.7A	37.5A	75A	150A	300A	600A
max. trms value	7.8A	15.6A	31.1A	62.5A	125A	250A	500A	1000A
max. peak value	9.4A	18.7A	37.5A	75A	150A	300A	600A	1200A

HALL2000:

nominal value	7.8A	15.6A	31.1A	62.5A	125A	250A	500A	1000A
max. trms value	15.6A	31.1A	62.5A	125A	250A	500A	1000A	2000A
max. peak value	16.4A	32.8A	65.6A	131A	263A	525A	1050A	2100A

2.26 Rogowski flex sensors (L45-Z32-FLEXxx)

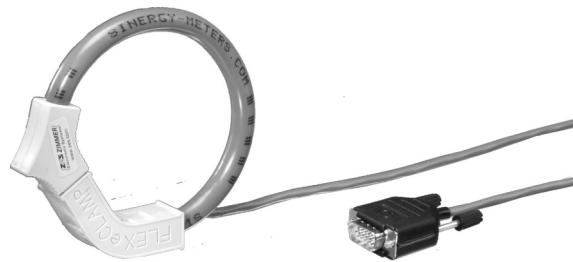


Figure 95: Dimensions of the L45-Z32-FLEX xx

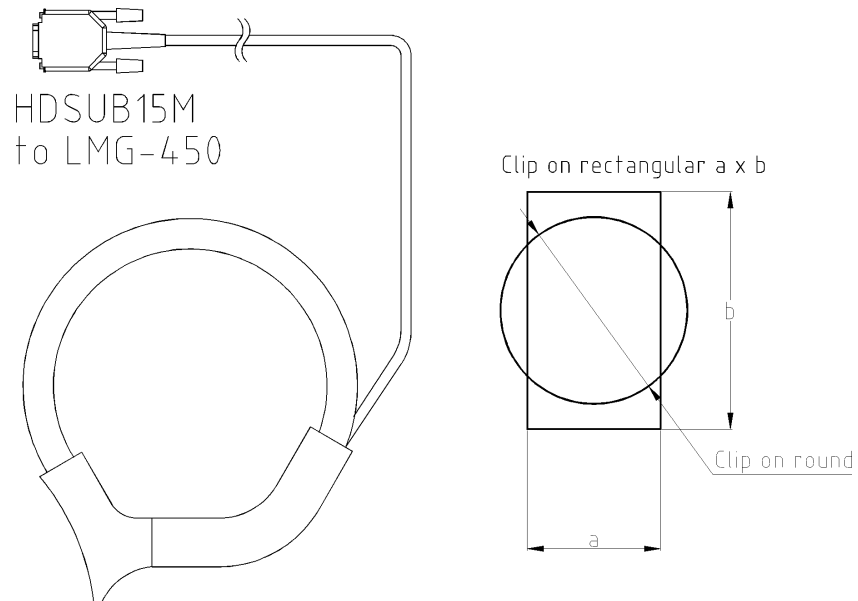


Figure 96: Dimensions of the L45-Z32-FLEX xx

2.26.1 Safety warning!

Always connect the sensor first to the meter, and afterwards to the device under test.
Connecting cable without safety isolation! Avoid contact to hazardous voltage!
Please refer to chapter 1.1: 'Safety precautions'!

2.26.2 Specifications

Sensor	FLEX 500	FLEX 1000	FLEX 3000
Rated range value	500A	1000A	3000A
Permissible peak range value	700A	1400A	4200A
Position sensitivity	±5%	±2%	±2%
Frequency range	10Hz .. 5kHz	10Hz .. 5kHz	10Hz .. 5kHz
Phase Shift (at 50/60Hz, cable in middle of the head)	0.1°	0.1°	0.1°
Rogowski sensor length	30cm	40cm	75cm
Connection cable length	2m	2m	2m
Clip on round (diameter)	75mm	110mm	200mm

Clip on rectangular (a x b)	20mm x 85mm	30mm x 120mm	60mm x 250mm
max. loops	1	1	3
Weight	100g	120g	160g
Temperature range	-20°C .. +85°C		
Protection class	600V / CATIII		
Degree of pollution	2		
Output connection	HD15 plug (with EEPROM) for LMG sensor input		

2.26.3 Accuracy

Accuracies based on: sinusoidal current, ambient temperature $23\pm 3^{\circ}\text{C}$, calibration interval 1 year, conductor in the middle of the clamp.

The values are: $\pm(\% \text{ of measuring value} + \% \text{ of rated range value})$

Frequency/Hz	10Hz to 45Hz	45Hz to 65Hz	65Hz to 1kHz	1kHz to 5kHz
FLEX xx current accuracy	0.5+1.5	0.5+0.6	0.5+1.5	5+5

Use FLEXxx and LMG specifications to calculate the accuracy of the complete system.

2.26.4 Sensor operation without supply

It is important to assure a stable power supply of the sensor before switching on the load current! The **operation** of the sensor with load current and **without supply will cause damage** of the sensor and/or of the LMG/supply unit!

To remove the LMG/supply unit from the test location without removing the sensors from the current path, disconnect the HD15 plug from the LMG and connect all of the 15pins together with ground (shield of the plug). To do this, the load current has to be switched off!

2.26.5 Connection of the sensor with LMG90/310

The use with LMG90 and LMG310 is not possible.

2.26.6 Connection of the sensor with LMG95

Use L95-Z07, internal supply via LMG and the Isensor/external shunt input. Set LMG current scaling factor appropriate to the scaling factor marked on the label on L95-Z07.

2.26.7 Connection of the sensor with LMG450

Use sensor input, internal supply via LMG, you get the following ranges:

FLEX500:

nominal value	15.6A	31.3A	62.5A	125A	250A	500A
---------------	-------	-------	-------	------	------	------

max. trms value	15.6A	31.3A	62.5A	125A	250A	500A
max. peak value	21.9A	43.8A	87.5A	175A	350A	700A

FLEX1000:

nominal value	31.3A	62.5A	125A	250A	500A	1000A
max. trms value	31.3A	62.5A	125A	250A	500A	1000A
max. peak value	43.8A	87.5A	175A	350A	700A	1400A

FLEX3000:

nominal value	93.8A	188A	375A	750A	1500A	3000A
max. trms value	93.8A	188A	375A	750A	1500A	3000A
max. peak value	131A	263A	525A	1050A	2100A	4200A

2.26.8 Connection of the sensor with LMG500

Use L50-Z14, internal supply via LMG, you get the following ranges:

FLEX500:

nominal value	3.9A	7.8A	15.6A	31.3A	62.5A	125A	250A	500A
max. trms value	3.9A	7.8A	15.6A	31.3A	62.5A	125A	250A	500A
max. peak value	5.5A	10.9A	21.9A	43.8A	87.5A	175A	350A	700A

FLEX1000:

nominal value	7.8A	15.6A	31.3A	62.5A	125A	250A	500A	1000A
max. trms value	7.8A	15.6A	31.3A	62.5A	125A	250A	500A	1000A
max. peak value	10.9A	21.9A	43.8A	87.5A	175A	350A	700A	1400A

FLEX3000:

nominal value	23.5A	46.9A	93.8A	188A	375A	750A	1500A	3000A
max. trms value	23.5A	46.9A	93.8A	188A	375A	750A	1500A	3000A
max. peak value	32.8A	65.6A	131A	263A	525A	1050A	2100A	4200A

2.27 HF-summing current transformer (L95-Z06)

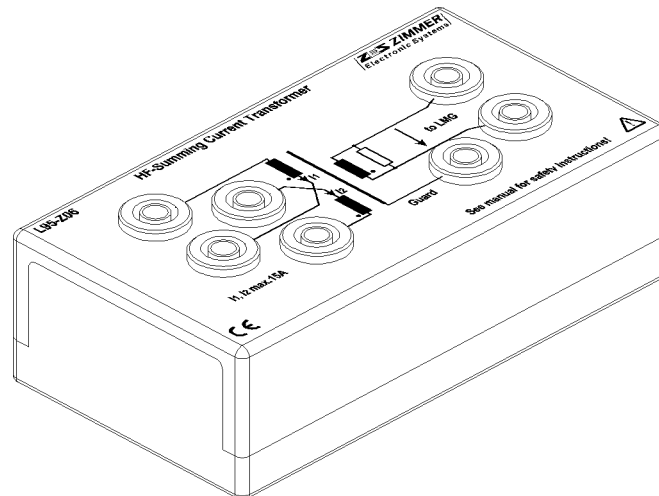


Figure 97: L95-Z06

2.27.1 Safety warning!

Always connect the sensor first to the meter, and afterwards to the device under test. Please refer to chapter 1.1: ‘Safety precautions’!

L95-Z06 is an accessory for the precision power meters LMG with a high bandwidth. It simplifies the measurement of output power in high frequency applications with floating potential. For example: lighting applications, ultrasonic systems, loss power measurement at television deflection coils. The high frequency design provides best accuracy at high frequencies. The current transformer has a voltage output, for the direct connection to the LMG external Shunt-/ Transformer input.

The two galvanically separated primary windings are suitable to use in series to increase the sensitivity for small currents. And it can be used as well to build the difference of two (e.g. lamp-) currents. If not needed the second primary winding can be left open.

The guard terminal may be grounded to bypass capacitive currents from input to output. This reduces errors introduced by common mode voltage.

2.27.2 Specifications

Nominal input current	15A at I1 or I2 or (I1+I2)
Transformer ratio	18A:3V (set Iscale to 6)
Measuring range	18A (sum of I1+I2)
Maximum input	20A at I1 and 20A at I2 for 1s
Bandwidth	5kHz to 500kHz

output burden	$\geq 100\text{k}\Omega$
Working voltage	600V CAT. III, 1000V CAT II
Degree of pollution	2
Temperature range	-10°C to +50°C
Output connection	safety sockets 4mm (use twisted leads to LMG)
Guard connection	safety socket 4mm, green/yellow
Input connection	safety sockets 4mm
Weight	200g
Size l*w*h	120mm*65mm*45mm

2.27.3 Accuracy

Accuracies based on: ambient temperature $23\pm 3^\circ\text{C}$, calibration interval 1 year.

at 5kHz to 500kHz \pm (% of measuring value)	Phase difference
0.5	1°

Use L95-Z06 and LMG specifications to calculate the accuracy of the complete system.

2.27.4 Wiring schematics

2.27.4.1 Lower currents

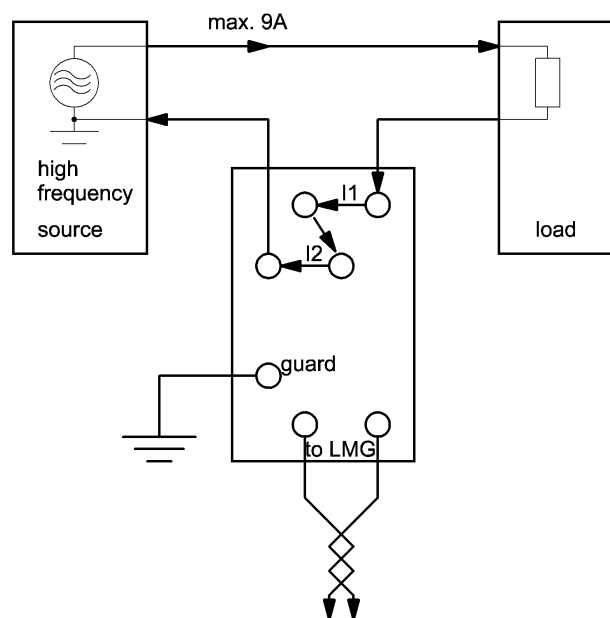


Figure 98: Low current application

For applications with lower currents use both inputs in series and set the LMG Iscale to 3.

2.27.4.2 Higher currents

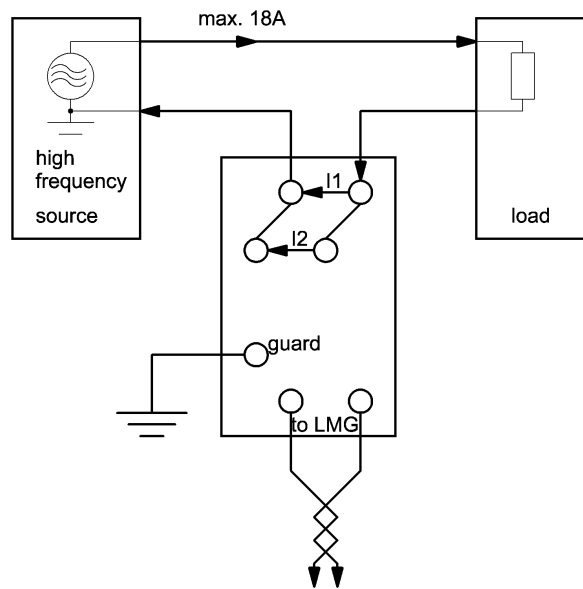


Figure 99: High current application

For applications with higher currents use both inputs parallel and set the LMG Iscale to 6.

2.27.4.3 Arithmetic mean value

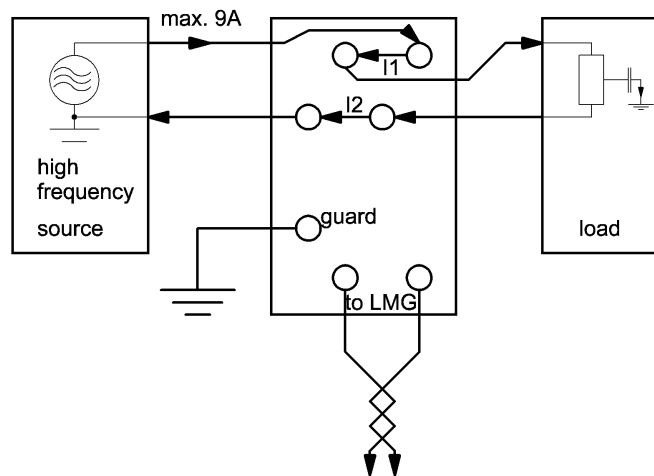


Figure 100: Arithmetic mean value application

To determine the arithmetic mean value of two currents: $I_{\text{mean}} = (I_1 + I_2) / 2$, set the LMG Iscale to 3. In high frequency lightning applications where a earth current worth mentioning is present, the light density is proportional to the arithmetic mean value of the two currents I_1 and I_2 .

2.27.4.4 Difference of two currents

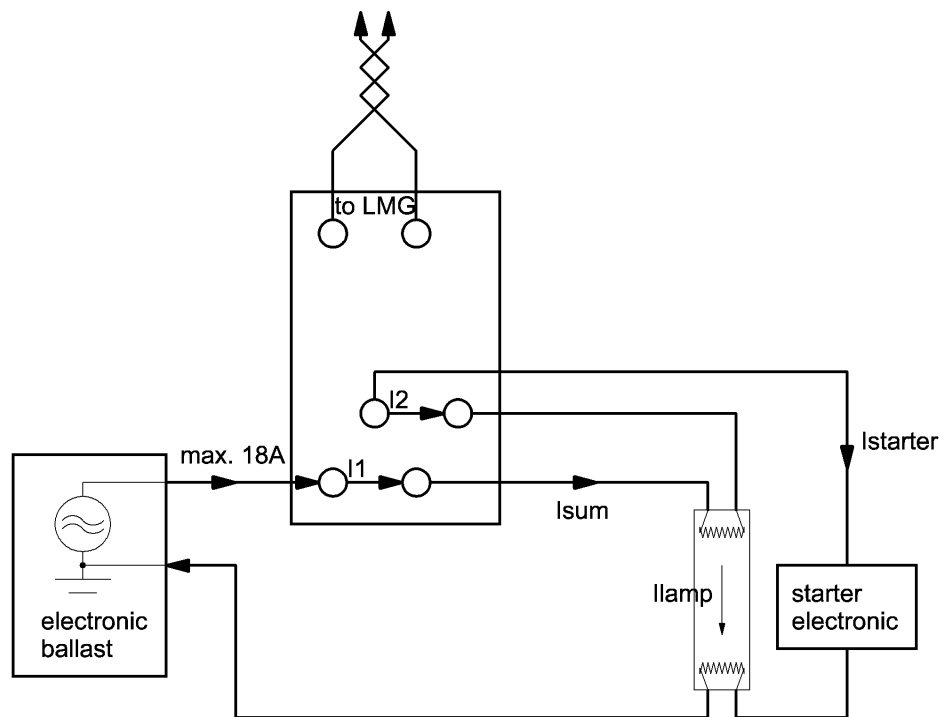


Figure 101: Difference of two currents

To determine the difference of two currents: $I_{\text{lamp}} = I_{\text{sum}} - I_{\text{starter}}$, set the LMG Iscale to: 6.

The lamp current I_{lamp} is the difference of I_{sum} and the current through the starter electronic during the operation.

2.27.4.5 Improving the accuracy due to common mode effects

In high frequency applications with current measurement on high common mode voltage potential it is advantageous to connect the low output of this current transformer with earth. There is a double galvanic separation: in the LMG and inside the current transformer itself. So the secondary side has neither galvanic contact with the load current nor with earth: the current channel is floating on an undefined potential. The HF-accuracy can be improved by dragging down the floating voltage to about earth potential.

2.27.5 Connection of the sensor with LMG90/310 or other instruments with current input

The use with LMG90 is not possible. With LMG310 use Isensor/external Shunt input.

2.27.6 Connection of the sensor with LMG95

Use Isensor/external Shunt input.

2.27.7 Connection of the sensor with LMG450

You can use L45-Z09, but it is not recommended to use this high frequency sensor with the LMG450.

2.27.8 Connection of the sensor with LMG500

Use Isensor/external sensor input.

2.28 Highvoltage HF-summing current transformer (L95-Z06-HV)

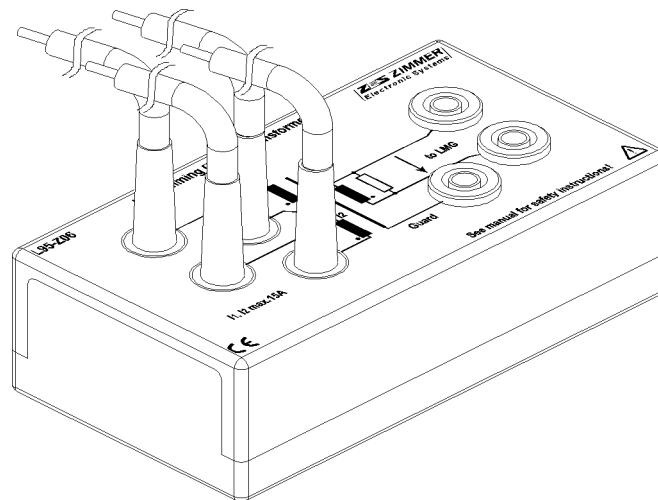


Figure 102: L95-Z06-HV

2.28.1 Safety warning!

Always connect the sensor first to the meter and earth the guard terminal, and afterwards to the device under test.

The guard terminal must be grounded to bypass capacitive currents from input to output. This also reduces errors by common mode voltage.

Please refer to chapter 1.1: 'Safety precautions'!

L95-Z06-HV is an accessory for the precision power meters LMG with a high bandwidth. The high voltage version of L95-Z06 eliminates the 4mm safety sockets as input terminals. The limited clearances and creepage distances are removed by usage of high-voltage wire. All other specifications are the same as L95-Z06.

It simplifies the measurement of output power in high-frequency applications with floating potential. For example: lighting applications, ultrasonic systems, loss power measurement at television deflection coils. The high-frequency design provides best accuracy at high frequencies. The current transformer has a voltage output, for the direct connection to the LMG external Shunt-/Transformer input.

The two galvanically separated primary windings are suitable to use in series to increase the sensitivity for small currents. And it can be used as well to build the difference of two (e.g. lamp-) currents. If not needed, the second primary winding should be used in parallel to the first primary winding.

2.28.2 Specifications

Nominal input current	15A at I1 or I2 or (I1+I2)
Transformer ratio	18A:3V (set Iscale to 6)
Measuring range	18A (sum of I1+I2)
Maximum input	20A at I1 and 20A at I2 for 1s
Bandwidth	5kHz to 500kHz
Output burden	$\geq 100\text{k}\Omega$
Working voltage	5kV _{rms}
Transient overvoltage	10kV _{pk}
Degree of pollution	2
Temperature range	-10°C to +50°C
Output connection	safety sockets 4mm (use twisted leads to LMG)
PE connection	safety socket 4mm, green/yellow
Input connection	free highvoltage wire approx. 0.8m
Weight	300g
Size l*w*h	120mm*65mm*125mm

2.28.3 Accuracy

Accuracies based on: ambient temperature $23\pm 3^\circ\text{C}$, calibration interval 1 year.

at 5kHz to 500kHz \pm (% of measuring value)	Phase difference
0.5	1°

Use L95-Z06 and LMG specifications to calculate the accuracy of the complete system.

2.28.4 Wiring schematics

2.28.4.1 Lower currents

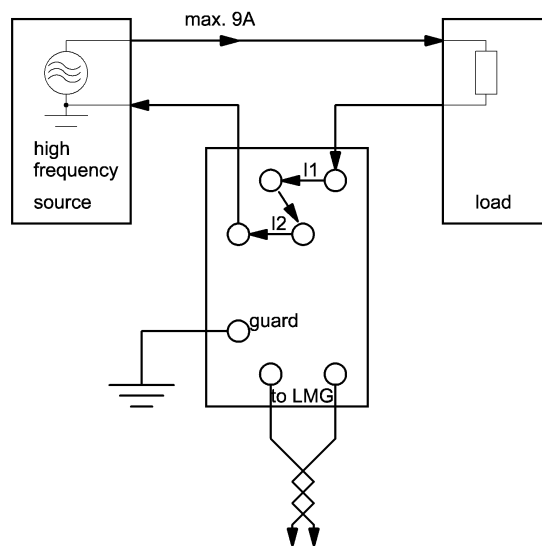


Figure 103: Low current application

For applications with lower currents use both inputs in series and set the LMG Iscale to 3.

2.28.4.2 Higher currents

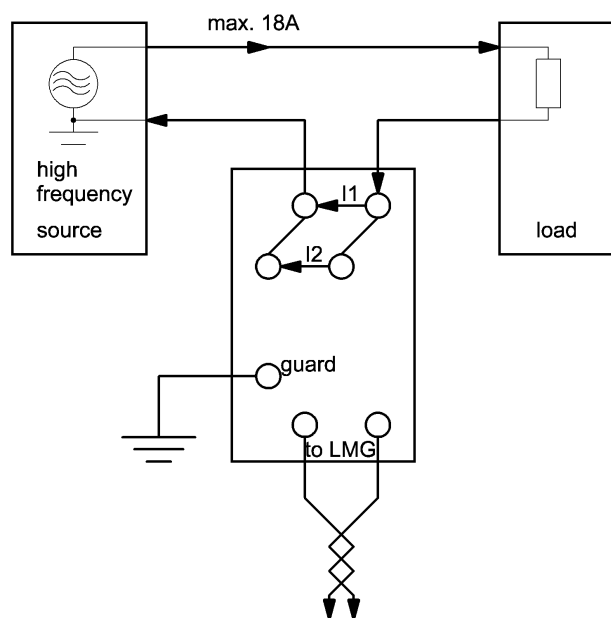


Figure 104: High current application

For applications with higher currents use both inputs parallel and set the LMG Iscale to 6.

2.28.4.3 Arithmetic mean value

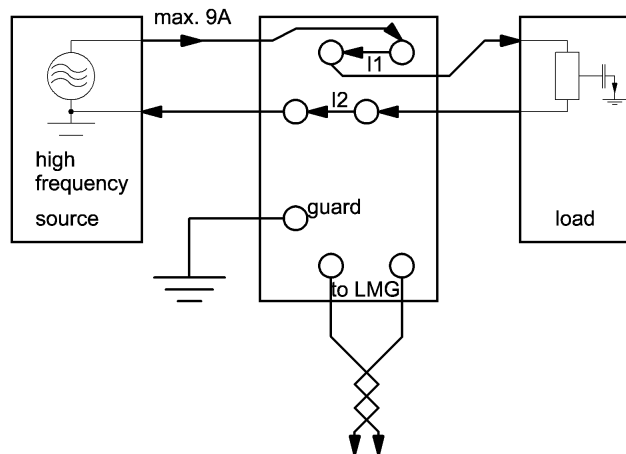


Figure 105: Arithmetic mean value application

To determine the arithmetic mean value of two currents: $I_{\text{mean}} = (I_1 + I_2) / 2$, set the LMG Iscale to 3. In high frequency lightning applications where a earth current worth mentioning is present, the light density is proportional to the arithmetic mean value of the two currents I_1 and I_2 .

2.28.4.4 Difference of two currents

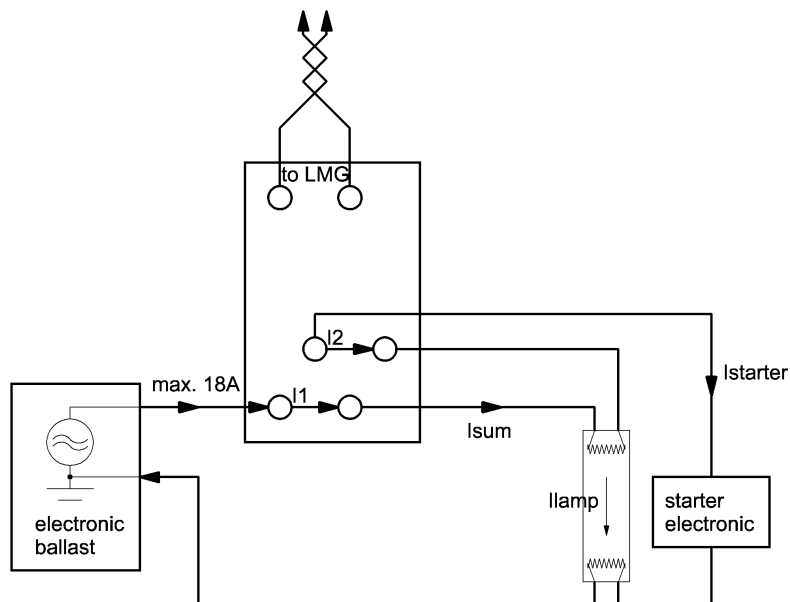


Figure 106: Difference of two currents

To determine the difference of two currents: $I_{\text{lamp}} = I_{\text{sum}} - I_{\text{starter}}$, set the LMG Iscale to: 6. The lamp current I_{lamp} is the difference of I_{sum} and the current through the starter electronic during the operation.

2.28.4.5 Improving the accuracy due to common mode effects

In high frequency applications with current measurement on high common mode voltage potential it is advantageous to connect the low output of this current transformer with earth. There is a double galvanic separation: in the LMG and inside the current transformer itself. So the secondary side has neither galvanic contact with the load current nor with earth: the current channel is floating on an undefined potential. The HF-accuracy can be improved by dragging down the floating voltage to about earth potential.

2.28.5 Connection of the sensor with LMG90/310 or other instruments with current input

The use with LMG90 is not possible.

With LMG310 use Isensor/external Shunt input.

2.28.6 Connection of the sensor with LMG95

Use Isensor/external Shunt input.

2.28.7 Connection of the sensor with LMG450

You can use L45-Z09, but it is not recommended to use this high frequency sensor with the LMG450.

2.28.8 Connection of the sensor with LMG500

Use Isensor/external sensor input.

2.29 Low current shunt (LMG-SHxx)

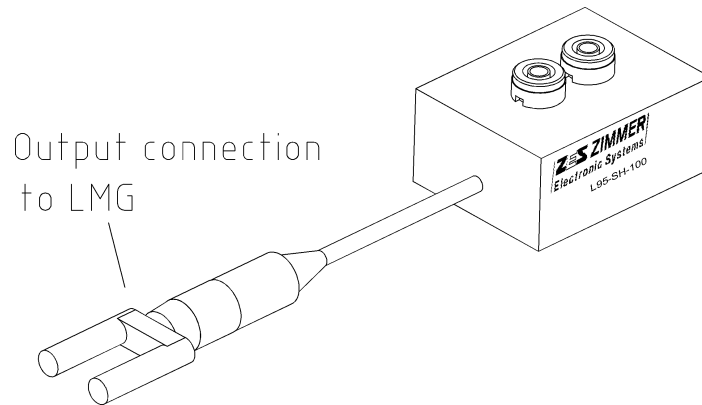


Figure 107: LMG-SHxx

2.29.1 Safety warning!

Always connect the sensor first to the meter, and afterwards to the device under test. Please regard that there is **no isolation inside the Sensor**, therefore the instrument needs isolated inputs! The Sensor is suitable for LMG95, LMG500 and LMG310, but not for LMG450!

Please refer to chapter 1.1: ‘Safety precautions’!

2.29.2 Selection of the resistance value

Select an applicable shunt resistance according to the necessary load current range. Values between 1 ohm and 1000 ohms are available. But take into concern, that this shunt resistance is connected in series to your device under test. Oversized resistors may distort and take influence on the load current.

2.29.3 Specifications, Accuracy

The specified accuracy is valid in combination with the LMG95 / LMG500 sensor input impedance of 100kOhm and the correct setting of the scaling ratio (see table). Accuracies based on: sinusoidal current, frequency 45-65 Hz, ambient temperature $23\pm 3^{\circ}\text{C}$, calibration interval 1 year. The values are in \pm (% of measuring value). Use LMG-SHxx and LMG specifications to calculate the accuracy of the complete system.

nominal resistance	1 ohm	2 ohms	5 ohms	10 ohms	20 ohms	50 ohms	100 ohms	200 ohms	500 ohms	1000 ohms
scaling ratio	1.00001	0.50001	0.20001	0.10001	0.05001	0.02001	0.01001	0.00501	0.00201	0.00101
accuracy	0.15%									
maximum trms input current	1000 mA	710 mA	450 mA	320 mA	160 mA	100 mA	70 mA	50 mA	31 mA	22 mA

bandwidth	DC to 100kHz
protection class	600V CAT III
degree of pollution	2
temperature range	0°C to +40°C
weight	100g
output connection	Security BNC cable and adapter

2.29.4 Connection of the sensor with LMG90/310

The use with LMG90 is not possible. With LMG310 use Isensor/external Shunt input.

2.29.5 Connection of the sensor with LMG95

Use external Shunt input, you get the following ranges (all in A):

1ohm:

nominal value	30m	60m	120m	250m	500m	1	(2)	(4)
max. trms value	60m	130m	270m	540m	1	(2)	(4)	(8)
max. peak value	97.7m	195.3m	390.6m	781.3m	1.563	3.125	(6.25)	(12.5)

(regard maximum trms input current!)

2ohms:

nominal value	15m	30m	60m	125m	250m	500m	(1)	(2)
max. trms value	30m	65m	135m	270m	500m	(1)	(2)	(4)
max. peak value	48.85m	97.65m	195.3m	390.7m	781.5m	1.563	(3.125)	(6.25)

(regard maximum trms input current!)

5ohms:

nominal value	6m	12m	24m	50m	100m	200m	400m	(800m)
max. trms value	12m	26m	54m	108m	200m	400m	(0.8)	(1.6)
max. peak value	19.54m	39.06m	78.12m	156.3m	312.6m	625m	1.25	(2.5)

(regard maximum trms input current!)

10ohms:

nominal value	3m	6m	12m	25m	50m	100m	200m	(400m)
---------------	----	----	-----	-----	-----	------	------	--------

max. trms value	6m	13m	27m	54m	100m	200m	(0.4)	(800m)
max. peak value	9.77m	19.53m	39.06m	78.13m	156.3m	312.5m	625m	(1.25)

(regard maximum trms input current!)

20ohms:

nominal value	1.5m	3m	6m	12.5m	25m	50m	100m	(200m)
max. trms value	3m	6.5m	13.5m	27m	50m	100m	(0.2)	(400m)
max. peak value	4.885m	9.765m	19.53m	39.07m	78.15m	156.3m	312.5m	(625m)

(regard maximum trms input current!)

50ohms:

nominal value	600u	1.2m	2.4m	5m	10m	20m	40m	80m
max. trms value	1.2m	2.6m	5.4m	10.8m	20m	40m	80m	(0.16)
max. peak value	1.954m	3.906m	7.812m	15.63m	31.26m	62.5m	125m	0.25

100ohms:

nominal value	300u	600u	1.2m	2.5m	5m	10m	20m	40m
max. trms value	600u	1.3m	2.7m	5.4m	10m	20m	40m	(80m)
max. peak value	977u	1.953m	3.906m	7.813m	15.63m	31.25m	62.5m	125m

200ohms:

nominal value	150u	300u	600u	1.25m	2.5m	5m	10m	20m
max. trms value	300u	650u	1.35m	2.7m	5m	10m	20m	40m
max. peak value	488.5u	976.5u	1.953m	3.907m	7.815m	15.63m	31.25m	62.5m

500ohms:

nominal value	60u	120u	240u	500u	1m	2m	4m	8m
max. trms value	120u	260u	540u	1.08m	2m	4m	8m	16m
max. peak value	195.4u	390.6u	781.2u	1.563m	3.126m	6.25m	12.5m	25m

1000ohms:

nominal value	30u	60u	120u	250u	500u	1m	2m	4m
---------------	-----	-----	------	------	------	----	----	----

max. trms value	60u	130u	270u	540u	1m	2m	4m	8m
max. peak value	97.7u	195.3u	390.6u	781.3u	1.563m	3.125m	6.25m	12.5m

2.29.6 Connection of the sensor with LMG450

The use with LMG450 is **not possible!**

2.29.7 Connection of the sensor with LMG500

Use external sensor input, you get the following ranges (all in A):

1ohm:

nominal value	30m	60m	120m	250m	500m	1	(2)	(4)
max. trms value	37m	75m	150m	300m	600m	(1.2)	(2.5)	(5)
max. peak value	63m	125m	250m	500m	1	2	(4)	(8)

(regard maximum trms input current!)

2ohms:

nominal value	15m	30m	60m	125m	250m	500m	(1)	(2)
max. trms value	18.5m	37.5m	75m	150m	300m	600m	(1.25)	(2.5)
max. peak value	31.5m	62.5m	125m	250m	500m	1	(2)	(4)

(regard maximum trms input current!)

5ohms:

nominal value	6m	12m	24m	50m	100m	200m	400m	(800m)
max. trms value	7.4m	15m	30m	60m	120m	240m	(0.5)	(1)
max. peak value	12.6m	25m	50m	100m	200m	400m	800m	(1.6)

(regard maximum trms input current!)

10ohms:

nominal value	3m	6m	12m	25m	50m	100m	200m	(400m)
max. trms value	3.7m	7.5m	15m	30m	60m	120m	250m	(500m)
max. peak value	6.3m	12.5m	25m	50m	100m	200m	400m	(800m)

(regard maximum trms input current!)

20ohms:

nominal value	1.5m	3m	6m	12.5m	25m	50m	100m	(200m)
max. trms value	1.85m	3.75m	7.5m	15m	30m	60m	125m	(250m)
max. peak value	3.15m	6.25m	12.5m	25m	50m	100m	200m	(400m)

(regard maximum trms input current!)

50ohms:

nominal value	600u	1.2m	2.4m	5m	10m	20m	40m	80m
max. trms value	740u	1.5m	3m	6m	12m	24m	50m	100m
max. peak value	1.26m	2.5m	5m	10m	20m	40m	80m	160m

(regard maximum trms input current!)

100ohms:

nominal value	300u	600u	1.2m	2.5m	5m	10m	20m	40m
max. trms value	370u	750u	1.5m	3m	6m	12m	25m	50m
max. peak value	630u	1.25m	2.5m	5m	10m	20m	40m	80m

(regard maximum trms input current!)

200ohms:

nominal value	150u	300u	600u	1.25m	2.5m	5m	10m	20m
max. trms value	185u	375u	750u	1.5m	3m	6m	12.5m	25m
max. peak value	315u	625u	1.25m	2.5m	5m	10m	20m	40m

(regard maximum trms input current!)

500ohms:

nominal value	60u	120u	240u	500u	1m	2m	4m	8m
max. trms value	74u	150u	300u	600u	1.2m	2.4m	5m	10m
max. peak value	126u	250u	500u	1m	2m	4m	8m	16m

(regard maximum trms input current!)

1000ohms:

nominal value	30u	60u	120u	250u	500u	1m	2m	4m
max. trms value	37u	75u	150u	300u	600u	1.2m	2.5m	5m
max. peak value	63u	125u	250u	500u	1m	2m	4m	8m

(regard maximum trms input current!)

2.30 Low current shunt with overload protection (LMG-SHxx-P)

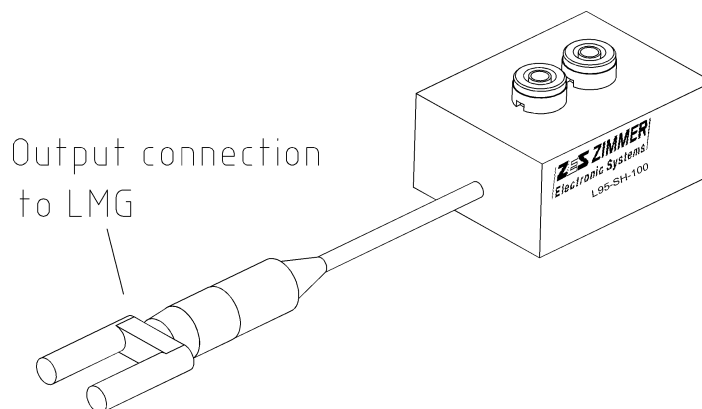


Figure 108: LMG-SHxx-P

2.30.1 Safety warning!

Always connect the sensor first to the meter, and afterwards to the device under test. Please regard that there is **no isolation inside the Sensor**, therefore the instrument needs isolated inputs! The Sensor is suitable for LMG95, LMG500 and LMG310, but not for LMG450!

Please refer to chapter 1.1: ‘Safety precautions’!

2.30.2 Selection of the resistance value

Select an applicable shunt resistance according to the necessary load current range. Values between 1 ohm and 200 ohms are available. Select the resistance value by the maximum peak input current according to the table in chapter 2.31.3. But take into concern, that this shunt resistance is connected in series to your device under test. Oversized resistors may distort and take influence on the load current.

2.30.3 Specifications, Accuracy

The specified accuracy is valid in combination with the LMG95 / LMG500 sensor input impedance of 100kOhm and the correct setting of the scaling ratio (see table). Accuracies based on: sinusoidal current, frequency 45-65 Hz, ambient temperature $23\pm 3^{\circ}\text{C}$, calibration interval 1 year. The values are in \pm (% of measuring value). Use LMG-SHxx-P and LMG specifications to calculate the accuracy of the complete system.

nominal resistance	1 ohm	2 ohms	5 ohms	10 ohms	20 ohms	50 ohms	100 ohms	200 ohms
scaling ratio	1.00001	0.50001	0.20001	0.10001	0.05001	0.02001	0.01001	0.00501
accuracy	0.15%					0.3%		
maximum peak	710	350	140	70	18	10	5	2.5

input current for specified accuracy	mApk	mApk	mApk	mApk	mApk	mApk	mApk	mApk
maximum trms input current, overload	20A (overload protection) for max. 1 minute							
bandwidth	DC to 10kHz							
protection class	600V CAT III							
degree of pollution	2							
temp. range	0°C to +40°C							
weight	150g							
output connection	Security BNC cable and adapter							

2.30.4 Connection of the sensor with LMG90/310

The use with LMG90 is not possible. With LMG310 use Isensor/external Shunt input.

2.30.5 Connection of the sensor with LMG95

Use external Shunt input, you get the following ranges (all in A):

1ohm:

nominal value	30m	60m	120m	250m	500m	1	2	4
max. trms value	60m	130m	270m	540m	1	2	4	8
max. peak value	97.7m	195.3m	390.6m	781.3m	1.563	3.125	6.25	12.5

(don't use the upper ranges, outside accuracy specification!)

2ohms:

nominal value	15m	30m	60m	125m	250m	500m	1	2
max. trms value	30m	65m	135m	270m	500m	1	2	4
max. peak value	48.85m	97.65m	195.3m	390.7m	781.5m	1.563	3.125	6.25

(don't use the upper ranges, outside accuracy specification!)

5ohms:

nominal value	6m	12m	24m	50m	100m	200m	400m	800m
max. trms value	12m	26m	54m	108m	200m	400m	800m	1.6
max. peak value	19.54m	39.06m	78.12m	156.3m	312.6m	625m	1.25	2.5

(don't use the upper ranges, outside accuracy specification!)

10ohms:

nominal value	3m	6m	12m	25m	50m	100m	200m	400m
max. trms value	6m	13m	27m	54m	100m	200m	400m	800m
max. peak value	9.77m	19.53m	39.06m	78.13m	156.3m	312.5m	625m	1.25

(don't use the upper ranges, outside accuracy specification!)

20ohms:

nominal value	1.5m	3m	6m	12.5m	25m	50m	100m	200m
max. trms value	3m	6.5m	13.5m	27m	50m	100m	200m	400m
max. peak value	4.885m	9.765m	19.53m	39.07m	78.15m	156.3m	312.5m	625m

(don't use the upper ranges, outside accuracy specification!)

50ohms:

nominal value	600u	1.2m	2.4m	5m	10m	20m	40m	80m
max. trms value	1.2m	2.6m	5.4m	10.8m	20m	40m	80m	160m
max. peak value	1.954m	3.906m	7.812m	15.63m	31.26m	62.5m	125m	250m

(don't use the upper ranges, outside accuracy specification!)

100ohms:

nominal value	300u	600u	1.2m	2.5m	5m	10m	20m	40m
max. trms value	600u	1.3m	2.7m	5.4m	10m	20m	40m	80m
max. peak value	977u	1.953m	3.906m	7.813m	15.63m	31.25m	62.5m	125m

(don't use the upper ranges, outside accuracy specification!)

200ohms:

nominal value	150u	300u	600u	1.25m	2.5m	5m	10m	20m
max. trms value	300u	650u	1.35m	2.7m	5m	10m	20m	40m
max. peak value	488.5u	976.5u	1.953m	3.907m	7.815m	15.63m	31.25m	62.5m

(don't use the upper ranges, outside accuracy specification!)

2.30.6 Connection of the sensor with LMG450

The use with LMG450 is **not possible!**

2.30.7 Connection of the sensor with LMG500

Use external sensor input, you get the following ranges (all in A):

1ohm:

nominal value	30m	60m	120m	250m	500m	1	2	4
max. trms value	37m	75m	150m	300m	600m	1.2	2.5	5
max. peak value	63m	125m	250m	500m	1	2	4	8

(don't use the upper ranges, outside accuracy specification!)

2ohms:

nominal value	15m	30m	60m	125m	250m	500m	1	2
max. trms value	18.5m	37.5m	75m	150m	300m	600m	1.25	2.5
max. peak value	31.5m	62.5m	125m	250m	500m	1	2	4

(don't use the upper ranges, outside accuracy specification!)

5ohms:

nominal value	6m	12m	24m	50m	100m	200m	400m	800m
max. trms value	7.4m	15m	30m	60m	120m	240m	500m	1
max. peak value	12.6m	25m	50m	100m	200m	400m	800m	1.6

(don't use the upper ranges, outside accuracy specification!)

10ohms:

nominal value	3m	6m	12m	25m	50m	100m	200m	400m
max. trms value	3.7m	7.5m	15m	30m	60m	120m	250m	500m
max. peak value	6.3m	12.5m	25m	50m	100m	200m	400m	800m

(don't use the upper ranges, outside accuracy specification!)

20ohms:

nominal value	1.5m	3m	6m	12.5m	25m	50m	100m	200m
max. trms value	1.85m	3.75m	7.5m	15m	30m	60m	125m	250m
max. peak value	3.15m	6.25m	12.5m	25m	50m	100m	200m	400m

(don't use the upper ranges, outside accuracy specification!)

50ohms:

nominal value	600u	1.2m	2.4m	5m	10m	20m	40m	80m
max. trms value	740u	1.5m	3m	6m	12m	24m	50m	100m
max. peak value	1.26m	2.5m	5m	10m	20m	40m	80m	160m

(don't use the upper ranges, outside accuracy specification!)

100ohms:

nominal value	300u	600u	1.2m	2.5m	5m	10m	20m	40m
max. trms value	370u	750u	1.5m	3m	6m	12m	25m	50m
max. peak value	630u	1.25m	2.5m	5m	10m	20m	40m	80m

(don't use the upper ranges, outside accuracy specification!)

200ohms:

nominal value	150u	300u	600u	1.25m	2.5m	5m	10m	20m
max. trms value	185u	375u	750u	1.5m	3m	6m	12.5m	25m
max. peak value	315u	625u	1.25m	2.5m	5m	10m	20m	40m

(don't use the upper ranges, outside accuracy specification!)

2.31 Precision wideband current transformer WCT100 (LMG-Z601)



Figure 109: LMG-Z601

2.31.1 Safety warning!

Always connect the sensor first to the meter, and afterwards to the device under test! An open connection on the secondary side will cause hazardous voltage and might destroy the transformer.

Please refer to chapter 1.1: 'Safety precautions'!

LMG-Z601 is an accessory for the precision power meters LMG with a high bandwidth. The high frequency design provides best accuracy at high frequencies. It also simplifies the measurement of output power in high frequency applications with floating potential. The current transformer has a 1A current output, for the direct connection to the LMG current input.

LMG-Z601 is optimized for the LMG500 and its I_{hf} input. Because of the low and over all measuring ranges constant impedance of this input best accuracy can be achieved.

For the connection of LMG-Z601 to the precision power meter LMG use narrow twisted laboratory leads (not longer than needed) or, in HF applications slightly better: 4mm to BNC adaptor and coaxial cable.

2.31.2 Specifications

Nominal input current	100A
Measuring range	250A _{pk}
Transformer ratio	100A:1A (set I _{scale} to 100)
Maximum input	120A continuous / 200A for 1 minute
Bandwidth	30Hz .. 1MHz
Output burden	max. 100mOhms for the specified accuracy
Isolation	600V CATIII, 1000V CATII Test voltage: output I _{low} to 20mm busbar. (for higher voltages, the primary lead has to be isolated according to the working voltage of the system!)
Output connection	safety sockets, 4mm
Temperature range	-10°C to +70°C
Through hole diameter	23mm
Weight	about 350g
Size l*w*h	120mm * 95mm * 65mm

2.31.3 Accuracy

Accuracies based on: no DC current component, ambient temperature 23±3°C, calibration interval 1 year, burden 100mOhms, max. 1m twisted laboratory leads or coaxial cable.

Full power accuracy, for measuring current from 1A to 100A! Accuracy and bandwidth specification is for small signal as well as for wide signal level.

Frequency range	30Hz to 100Hz	100Hz to 100kHz	100kHz to 300kHz	300kHz to 1MHz
Current ±(% of measuring value)	0.25%	0.25%	1%	2%
Phase ±(phase error in degree)	0.6°	0.3°	0.4°	0.6°

Use LMG-Z601 and LMG specifications to calculate the accuracy of the complete system.

2.31.4 Improving the accuracy due to common mode effects

In high frequency applications with current measurement on high common mode voltage potential it might be advantageous to connect the yellow plug with earth. There is a double galvanic separation: inside the LMG and inside the current transformer itself and a capacitive coupling from the isolated primary lead to the current transformer. So the secondary side has neither galvanic contact with the load current nor with earth, the current channel is floating on an undefined potential. Parasitic currents by capacitive coupling from the primary conductor to secondary transformer side that is totally floating may influence measuring accuracy. These

currents can be by-passed to earth over the yellow plug that is connected inside to the secondary side transformer coils in that way that the fields of these currents are compensated as not to create further disturbance and interference. The HF-accuracy can be improved by dragging down the floating voltage to about earth potential, but this might also cause resonance, so beware not to distort the measurement accuracy.

2.31.5 Sensor without LMG

The secondary side of this current transformer has to be connected under all circumstances! If the LMG has to be removed and the sensor can not be disconnected, be sure to short circuit the current output I^* with I of the sensor to avoid dangerous voltages. This open loop voltages would be hazardous for the user and might damage the sensor!

2.31.6 Connection of the sensor with LMG90/310 or other instruments with current input

Use direct current inputs I^* and I .

2.31.7 Connection of the sensor with LMG95

Use direct current inputs I^* and I .

2.31.8 Connection of the sensor with LMG450

Use direct current inputs I^* and I .

2.31.9 Connection of the sensor with LMG500

Use HF current inputs I_{hf} and I .

You get the following measuring ranges:

nominal value	15A	30A	60A	120A
max. trms value	22.5A	45A	90A	180A
max. peak value	31.3A	62.5A	125A	250A

2.32 Precision wideband current transformer WCT1000 (LMG-Z602)

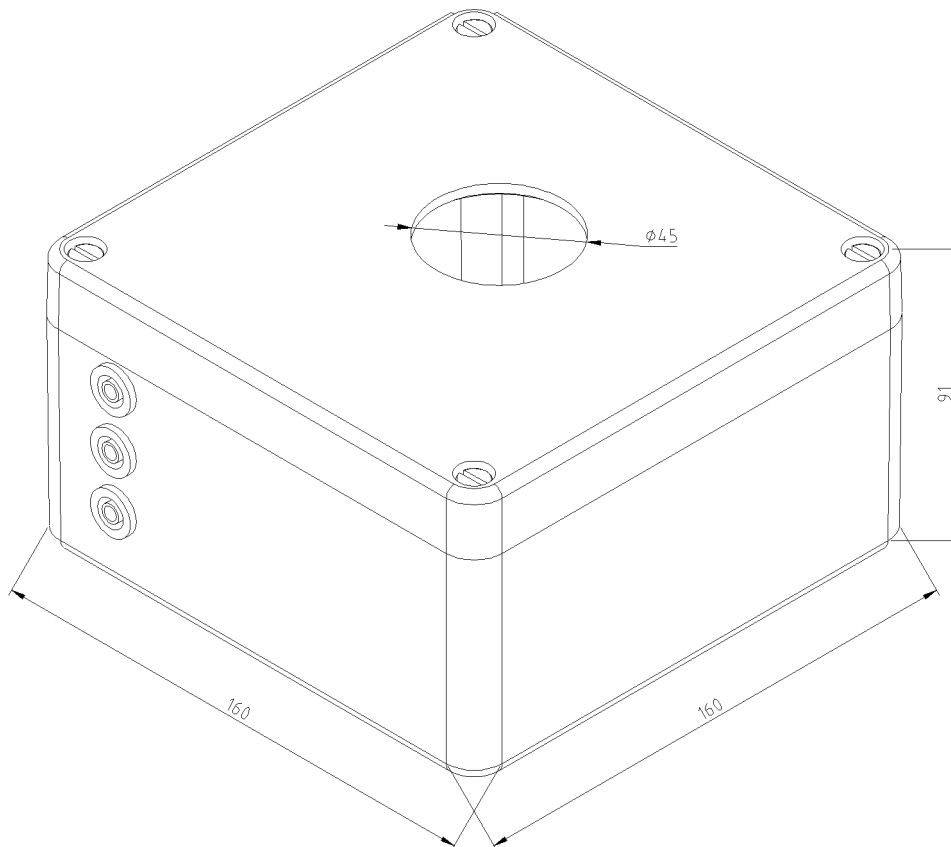


Figure 110: LMG-Z602

2.32.1 Safety warning!

Always connect the sensor first to the meter, and afterwards to the device under test!

If no burden is connected, secondary terminals have to be short-circuited!

An open connection on the secondary side will cause hazardous voltage and might destroy the transformer.

Please refer to chapter 1.1: 'Safety precautions'!

LMG-Z602 is an accessory for the precision power meters LMG with a high bandwidth. The high frequency design provides best accuracy at high frequencies. It also simplifies the measurement of output power in high frequency applications with floating potential. The current transformer has a 1A current output, for the direct connection to the LMG current input.

LMG-Z602 is optimized for the LMG500 and its I_{hf} input. Because of the low and over all measuring ranges constant impedance of this input best accuracy can be achieved.

For the connection of LMG-Z602 to the precision power meter LMG use narrow twisted laboratory leads (not longer than needed) or, in HF applications slightly better: 4mm to safety BNC adaptor and safety coaxial cable.

2.32.2 Specifications

Nominal input current	1000A
Measuring range	2500A _{pk}
Transformer ratio	1000A:1A (set I _{scale} to 1000)
Maximum input	1200A continuous / 2000A for 1 minute
Bandwidth	30Hz .. 1MHz
Output burden	max. 100mOhms for the specified accuracy
Isolation	bare conductor: 30V _{eff} (If safety laboratory leads are used, the task of the isolation is done by the connected power meter with isolated inputs according to the specification of the power meter and the measuring leads. If this is not sufficient, use insulated conductor) insulated conductor: see cable spec.
Output connection	safety sockets, 4mm
Temperature range	0°C to +50°C
Through hole diameter	44mm
Weight	ca. 3.3kg
Size l*w*h	160mm * 160mm * 91mm

2.32.3 Accuracy

Accuracies based on: no DC current component, ambient temperature 23±3°C, calibration interval 1 year, burden 100mOhms, max. 1m twisted laboratory leads or coaxial cable.

Full power accuracy, for measuring current from 10A to 1000A! Accuracy and bandwidth specification is for small signal as well as for wide signal level.

Frequency range	30Hz to 100Hz	100Hz to 100kHz	100kHz to 500kHz	500kHz to 1MHz
Current ±(% of measuring value)	0.25%	0.25%	1%	2%
Phase ±(phase error in degree)	1.5°	0.8°	0.5°	2.5°

Use LMG-Z602 and LMG specifications to calculate the accuracy of the complete system.

2.32.4 Shield socket

The black socket is internally connected to an electromagnetic shield. If the current transformer is used on high common mode voltage at high frequency, this socket can be connected to earth to conduct the disturbance to earth.

2.32.5 Sensor without LMG

The secondary side of this current transformer has to be connected under all circumstances! If the LMG has to be removed and the sensor can not be disconnected, be sure to short circuit the current output I^* with I of the sensor to avoid dangerous voltages. This open loop voltages would be hazardous for the user and might damage the sensor!

2.32.6 Connection of the sensor with LMG90/310 or other instruments with current input

Use direct current inputs I^* and I .

2.32.7 Connection of the sensor with LMG95

Use direct current inputs I^* and I .

2.32.8 Connection of the sensor with LMG450

Use direct current inputs I^* and I .

2.32.9 Connection of the sensor with LMG500

Use HF current inputs I_{hf} and I .

You get the following measuring ranges:

nominal value	150A	300A	600A	1200A
max. trms value	225A	450A	900A	1800A
max. peak value	313A	625A	1250A	2500A

3 LMG95 connection cables and adapter

3.1 Adapter for the use of HD15-Sensors with LMG95 (L95-Z07)

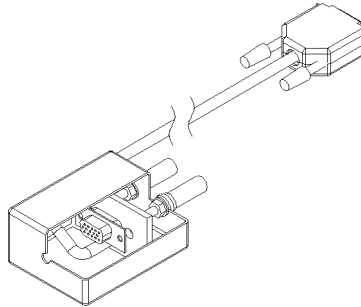


Figure 111:Adapter for the use of HD15-Sensors with LMG95 (L95-Z07)

3.1.1 Safety warning!

Always connect the sensor first to the meter, and afterwards to the device under test
Connecting cables without safety isolation! Avoid contact to hazardous voltage!
Please refer to chapter 1.1: 'Safety precautions'!

3.1.2 Specifications

suitable sensors	remarks
L45-Z26	DC current clamp 1000A
L45-Z28-HALLxx	Hall-transducer 50A, 100A, 200A
L50-Z29-HALLxx	Hall-transducer 300A, 500A, 1000A, 2000A
L45-Z32-FLEXxx	Rogowski-transducer 500A, 1000A, 3000A
PSUxx-K-L50	PSU60, -200, -400, -700
L45-Z406	
L45-Z10	better use: LMG-Z322
L45-Z16	better use: LMG-Z329

Plug the DSUB connector to LMG95 external supply and the two 4mm jacks to LMG95 ext.Shunt/I.

3.1.3 Accuracy

If you order the accessory L95-Z07 together with the suitable current sensor, then you can find a label with the scaling factor on L95-Z07. Please set this current scaling in the range menu of the LMG95. For the use of different current sensors e.g. alternating with LMG450 (not ordered at the same time with L95-Z07) you have to calibrate the sensor together with the LMG95 to find the correct scaling. Use the sensor- and LMG specifications to calculate the accuracy of the complete system.

3.2 PSU/PCT-K-L95

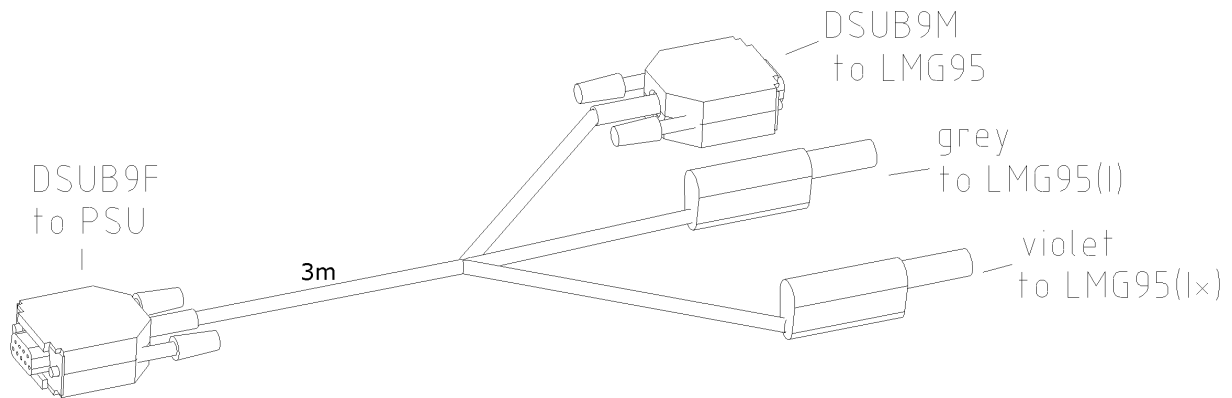


Figure 112: PSU/PCT-K-L95, for direct connection of the PSU60/200/400/700 and PCT200/600 to the current input of the LMG95

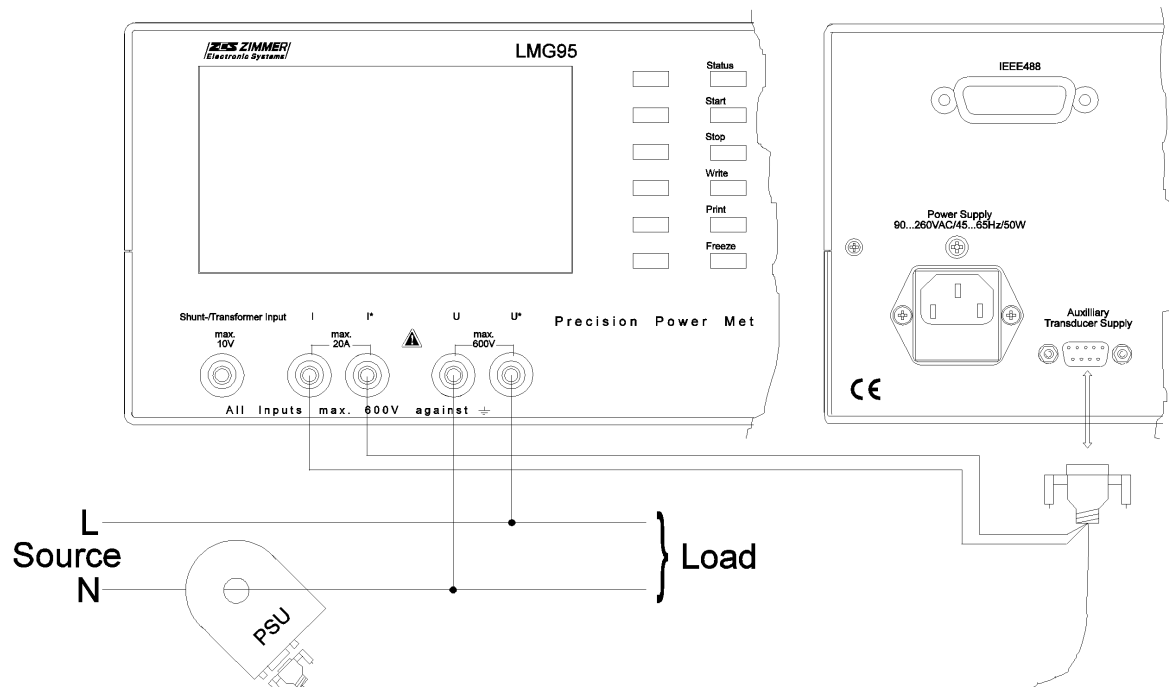


Figure 113: Connection of PSU60/200/400/700 and PCT200/600 to the LMG95

3.2.1 Safety warning!

Always connect the sensor first to the meter, and afterwards to the device under test
 Connecting cables without safety isolation! Avoid contact to hazardous voltage!
 Please refer to chapter 1.1: ‘Safety precautions’!

3.2.2 Installation

No additional supply needed. Cable length between PSU/PCT and LMG: 2.5m

3.2.3 LMG95 ranges (direct current input) with PCT200

I_{scale}=500

nominal value	75A	150A
max. trms value	150A	300A
max. peak value	234.5A	469A

limited by PCT200 to max. 300A_{pk}!

3.2.4 LMG95 ranges (direct current input) with PCT600

I_{scale}=1500

nominal value	225A	450A
max. trms value	450A	900A
max. peak value	703.5A	1407A

limited by PCT600 to max. 900A_{pk}!

3.2.5 LMG95 ranges (direct current input) with PSU200

I_{scale}=1000

nominal value	150A
max. trms value	300A
max. peak value	469A

limited by PSU200 to max. 200A_{pk}!

3.2.6 LMG95 ranges (direct current input) with PSU400

I_{scale}=2000

nominal value	300A
max. trms value	600A
max. peak value	938A

limited by PSU400 to max. 400A_{pk}!

3.2.7 LMG95 ranges (direct current input) with PSU700

I_{scale}=1750

nominal value	262.5A	525A
max. trms value	525A	1050A

max. peak value	820.75A	1641.5A
-----------------	---------	---------

limited by PSU700 to max. 700Apk!

3.2.8 Accuracy

Use PSU/PCT and LMG95 specifications to calculate the accuracy of the complete system.

3.2.9 Sensor operation without supply

It is important to assure a stable power supply of the sensor before switching on the load current! The **operation** of the sensor with load current and **without supply will cause damage** of the sensor and/or of the LMG/supply unit!

To remove the LMG/supply unit from the test location without removing the sensors from the current path, disconnect the DSUB9 plug and the safety laboratory plugs from the LMG and connect all of the 9pins together with ground (shield of the plug) and together with the hot-wired safety laboratory plugs. To do this, the load current has to be switched off!

4 LMG450 connection cables and adapter

The special design of all LMG450 sensors makes them very easy and comfortable to use. The HD15 SUB D plug contains the identification of the sensor type, the measuring ranges, including the needed scaling and several more parameters. The LMG450 reads this values and the meter will automatically configured to the optimum adjustments for using this special sensor. The LMG range setup is automatically taken from the sensor EEPROM. Further on we correct some of the sensor errors (transfer error, delay time, ...). So you get the best measuring results with each sensor.

4.1 BNC adapter to sensor input HD15 without EEPROM (L45-Z09)

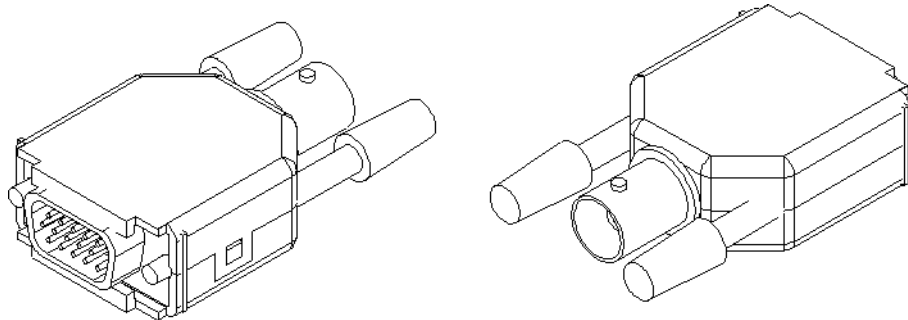


Figure 114: L45-Z09

By this adapter you can connect a voltage via a BNC cable to the LMG450 external current sensor input. This voltage has to be isolated, because the BNC screen is electrically connected to the case of the LMG450!

This is a simple electrical adapter. No values can be stored!

4.2 Adapter for isolated custom current sensors with 1A output (L45-Z22)

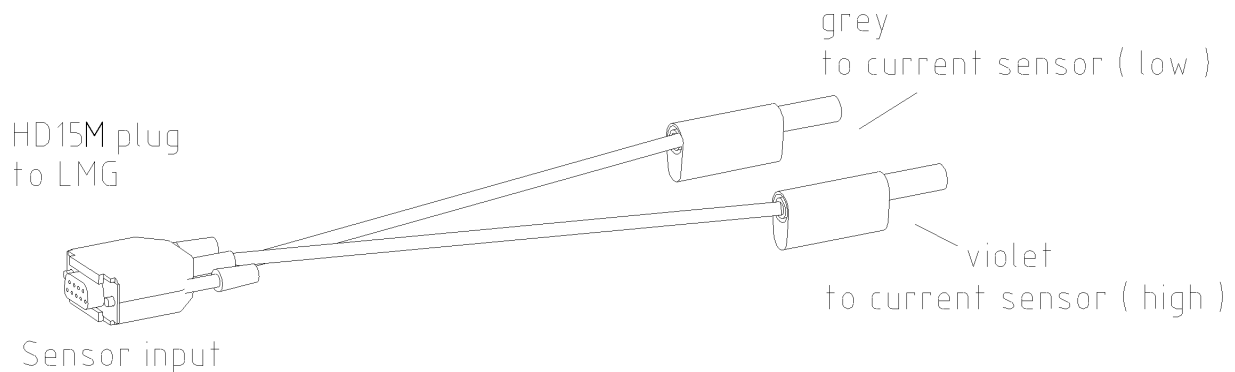


Figure 115: L45-Z22

4.2.1 Safety warning!

Use only galvanic separating current sensors! There is no potential separation in this adapter and in the LMG450 sensor input! **NOT FOR DIRECT CURRENT MEASUREMENT!!**

Please refer to chapter 1.1: ‘Safety precautions’!

4.2.2 Specifications

L45-Z22 is an accessory for the precision power meter LMG450. Its benefit is the usage of isolated custom current sensors with 1A output current e.g. current transducers or clamps with the LMG450 sensor input. In comparison to the usage of the direct current inputs of the LMG450, the accessory L45-Z22 is optimized for the sensor output current of 1A and a dynamic range down to 31.25mA as full range.

Nominal input current	1A
Max. trms value	1.2A
Measuring range	3A _{pk}
Input resistance	340mOhms
Bandwidth	DC to 20kHz
Isolation	NO ISOLATION! NOT FOR DIRECT CURRENT MEASUREMENT!
Connection	HD15 (with EEPROM) for LMG sensor input, length about 80cm

4.2.3 Accuracy

Accuracies based on: sinusoidal current, ambient temperature 23±3°C, calibration interval 1 year. The values are: ±(% of measuring value + % of measuring range)

Frequency/Hz	DC to 45Hz	45Hz to 65Hz	45Hz to 5kHz	5kHz to 20kHz
Current	0.05+0.05	0.05+0.05	0.1+0.1	0.25+0.25

Use L45-Z22 and LMG specifications to calculate the accuracy of the complete system.

4.2.4 Connection of the sensor with LMG90/310

not possible

4.2.5 Connection of the sensor with LMG95

not possible

4.2.6 Connection of the sensor with LMG450

nominal value	0.03A	0.06A	0.12A	0.25A	0.5A	1A
max. trms value	0.04A	0.08A	0.15A	0.3A	0.6A	1.2A
max. peak value	0.09A	0.19A	0.375A	0.75A	1.5A	3A

4.2.7 Connection of the sensor with LMG500

not necessary, because of good current dynamic range of LMG500

5 LMG500 connection cables and adapter

5.1 LMG500 current sensor adapter (L50-Z14)

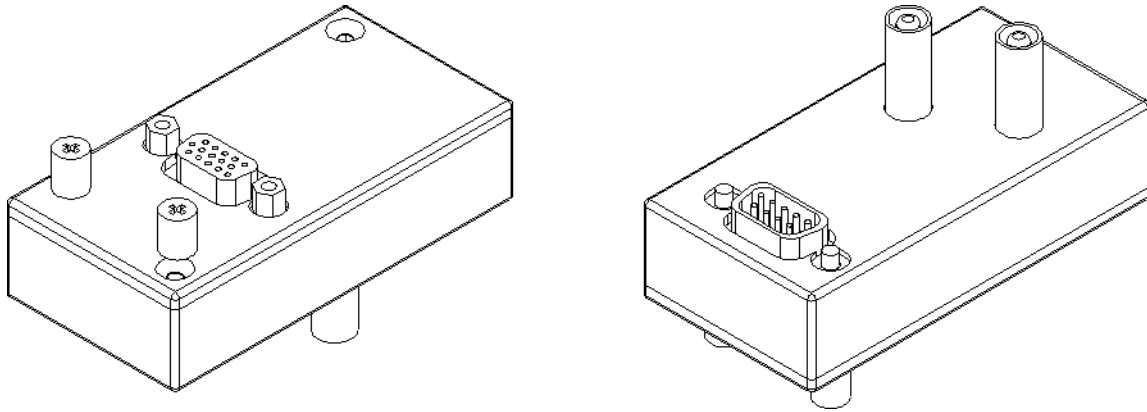


Figure 116: L50-Z14

The special design of all LMG500 sensors makes them very easy and comfortable to use. The HD15 SUB D plug contains the identification of the sensor type, the measuring ranges, including the needed scaling and several more parameters. The LMG500 reads this values and the meter will automatically configured to the optimum adjustments for using this special sensor. The LMG range setup is automatically taken from the sensor EEPROM. Further on we correct some of the sensor errors (transfer error, delay time, ...). So you get the best measuring results with each sensor.

For all LMG500 sensors the Adapter L50-Z14 is needed, because internally it is necessary to connect the system ground (CPU, Sensor supply, ...) with the ground of the measuring channel. Both signals are connected with a HD15 SUB D plug, without galvanic separation. The adapter L50-Z14 guarantees that no measuring leads are connected to the measuring channel at the same time and prevents electrical shock.

6 Accessories

6.1 Shielded DSUB9 extension cable, male/female (LMG-Z-DVxx)

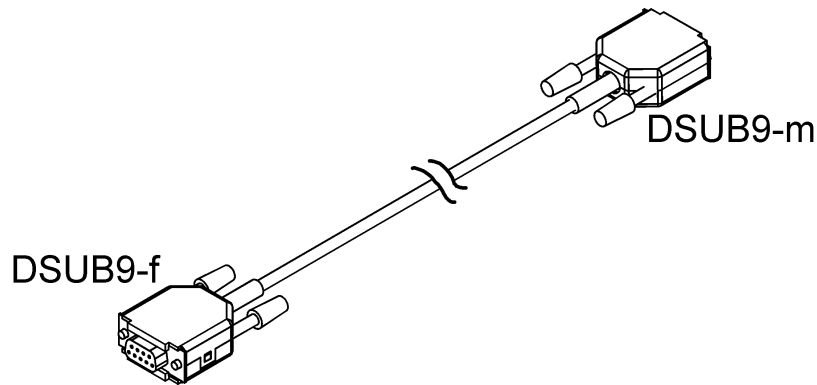


Figure 117: Shielded DSUB9 extension cable (LMG-Z-DVxx)

6.1.1 Safety warning!

Attention: No safety isolation, working voltage max. 50V!

When using Busbar without isolation or other not insulated items, assure safety distance between the extension cable and hazardous voltages.

Please refer to chapter 1.1: 'Safety precautions'!

6.1.2 General

This is a high quality very well shielded DSUB9 extension cable, high immunity against EMC. It is screwable with UNC4-40 threads at both connectors.

It can be used to extend the cable length of the PSU connection cables. In this case it is used between the precision current sensor PSU60/200/400/600/700 and the LMG specific connection cable to the LMG.

6.1.3 Specifications

Isolation	No safety isolation, working voltage max. 50V
Connectors	DSUB9 male / DSUB9 female / 1:1
Cable length	user selectable: 3m or 5m or 10m or 15m

6.2 Sensor supply unit for up to 4 current sensors (SSU4)

The SSU4 is a supply unit to feed up to 4 pieces of current sensors. Each sensor can be supplied with +15V / 500mA, -15V / 500mA at the same time. The transducers are connected to the four 9 pin SUB-D connectors. Depending on the sensor the output signal can be accessed directly from the sensor or via the 15 pin SUB-D connector.

6.2.1 Technical data

Mains supply	85...264V, 47...440Hz, ca. 40W, Fuse 5x20mm T3.15A/250V IEC127-2/3
Protection method	IP20 according DIN40050
Protection class	I; Mains supply: Overvoltage class II and pollution degree 2 according IEC61010-1
EMC	EN55011, EN50082
Safety	EN61010
Dimensions	Desktop: 320mm (W) x 49mm (H) x 307mm (D) 19" rack: 63DU x 1HU x 360mm
Output voltage	$\pm 15V \pm 2\%$
Output current	max. 500mA on each jack
Climatic class	KYG according to DIN 40040 0°C...40°C, humidity max. 85%, annual average 65%, no dewing
Storage temperature	-20°C to +55°C
Weight	3kg

6.2.2 Technical drawings

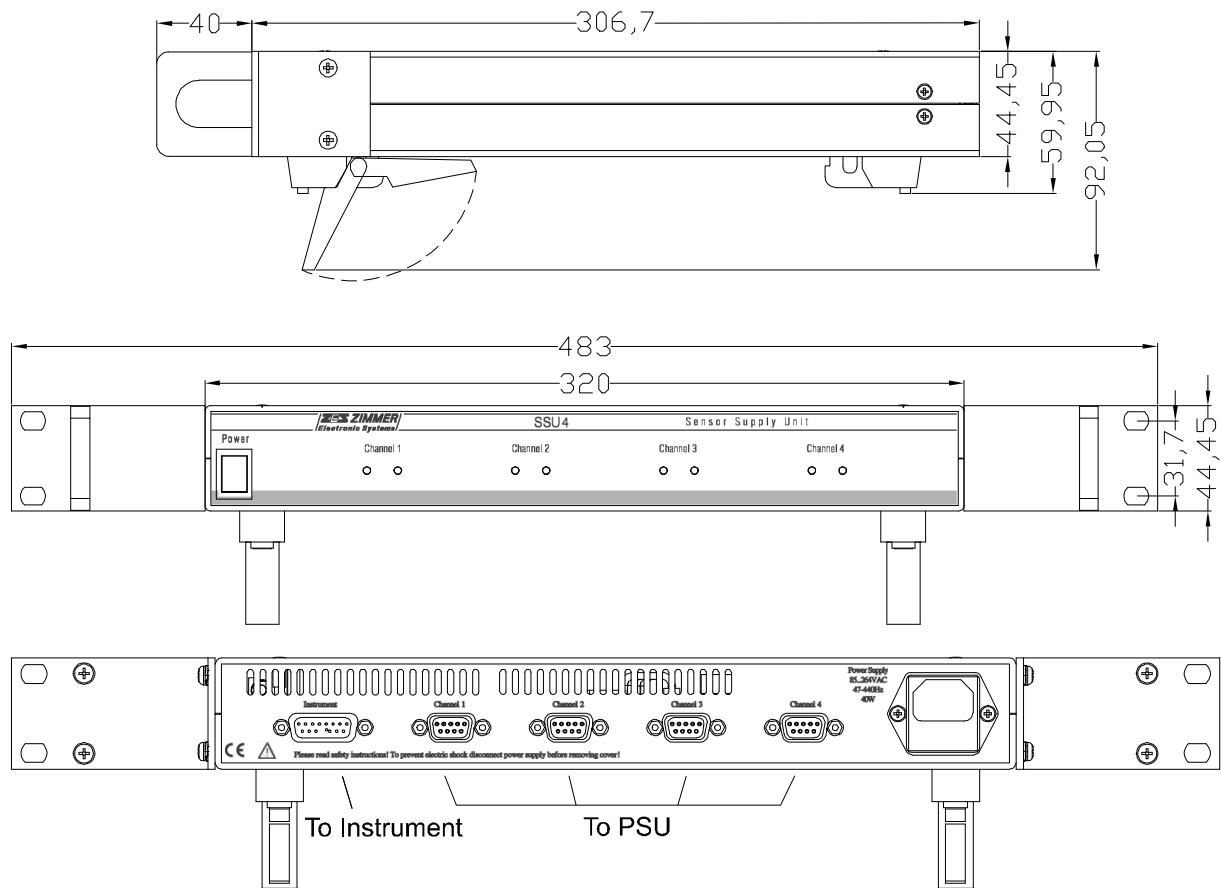


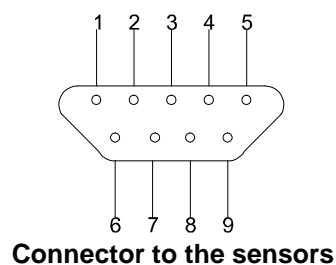
Figure 118: Dimensions of the SSU4

In the Figure 118 you see the desktop instrument, also attended the angles for rack mounting

6.2.3 Connectors

6.2.3.1 9 Pin SUB-D connectors for the sensors

Via the following connector the sensors (e.g. PSU600, L45-Z29-xxxx, ...) are connected to the SSU4 sensor supply unit. For each channel there is one connector.

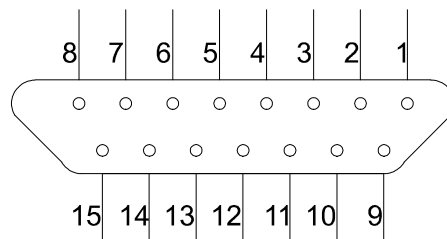


Pin	Usage
1, 2	Not used. Do not connect!
3, 4	Ground (GND)
5	-15V. max. 500mA
6	Current output signal of the sensor (max. 500mA!)
7	Not used. Do not connect!
8	Signal input to indicate a proper operation of the sensor: +15V or n.c.: The red LED is on GND: The green LED is on
9	+15V, max. 500mA

The current output signal of the sensor is connected via a 2.7Ω resistor to the corresponding channel of the 15 pin connector for the instrument. When the current returns from the instrument it is fed into ground.

6.2.3.2 15 Pin SUB-D connectors for the measuring instrument

Via the following connector the measuring instrument can be connected to the sensor supply unit:



Connector to the instrument

Pin	Usage
1, 2	Current output channel 1
3, 4	Current output channel 2
5, 6	Current output channel 3
7, 8	Current output channel 4
9-15	Ground

The output current of each channel can be measured and has then to be returned to Ground.

6.2.4 Mounting

6.2.4.1 Rack mounting

Fix the two rack mounting metal sheets with the four screws at the two sides of the SSU4 case. Now you can mount it into any 19" rack.

6.2.4.2 Instrument mounting

You can mount the SSU4 directly under a LMG95 or LMG450. Please do this in following order:

- Switch off both instruments and remove all cables.
- Remove the four feet of the LMG450 or LMG95 case. To do this, just remove the four screws. The nuts are fixed inside the LMG450 or LMG95.
- Remove the four feet of the SSU4 case. The four screws are mounted into the four screw-nuts which are accessible from the top of the case. Remove also this nuts.
- With the four M4x55 screws (which are added) you mount now the four feet of the SSU4 with following orientation:

LMG95: mount the front feet in the 2nd position from the front plate.
mount the rear feet in the 2nd position from the rear plate.

LMG450: mount the front feet in the position closest to the front plate.
mount the rear feet in the position closest to the rear plate.

In both cases: The small white rubber on the feets has to be mounted in direction to the rear/front plate. The four screws are fixed into the nuts of the LMG450/LMG95 bottom (where the original feeds were fixed).

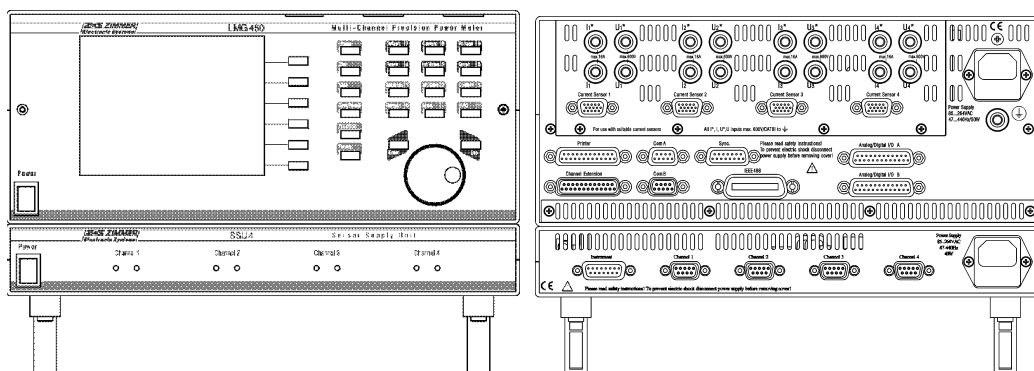


Figure 119: SSU4 mounted under LMG450

Dimensions W*D*H	320mm * 306.7mm * 224.6mm with feets, 176.9 without feets
------------------	---

6.2.5 SSU4 connector cables

6.2.5.1 Cable to connect measuring signal plugs of SSU4 with LMG310 current inputs (SSU4-K-L31)

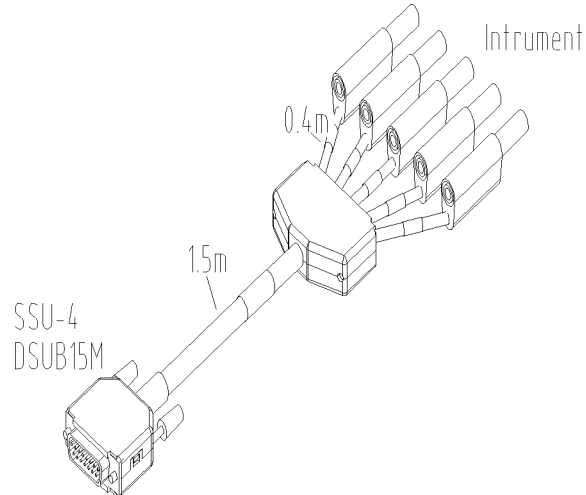


Figure 120: SSU4-K-L31, to connect measuring signal plug of SSU4 to LMG310 current inputs.

Cable to connect up to four PSU600 to the current input channels of:

- 1 LMG310
- 1 LMG310 and 1 LMG95
- 1 LMG450 (but better using PSU600-K-L45)
- 2 LMG310 in Aron wiring
- or any other amperemeter

6.2.5.2 Connection cable PSU600 to SSU4 (PSU600-K3, K5, K10)

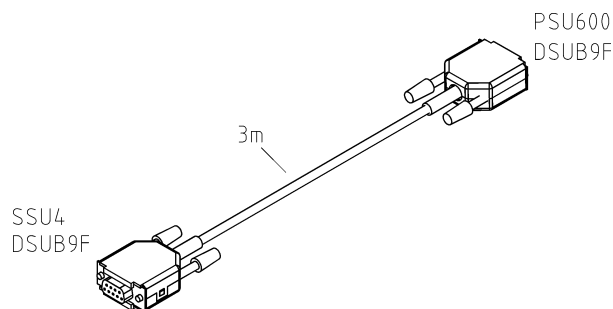


Figure 121: PSU600-K3, to connect the PSU600 to the SSU4 (length 3m).

Connection cable from SSU4 to PSU600; length 3m, 5m or 10m.

6.2.6 Modification option of SSU4 available for the use of PCT200, PCT600, PSU60, PSU200, PSU400 and PSU700 together with SSU4-K-L31

The modification is needed only for the use of PCT200, PCT600, PSU60, PSU200, PSU400 or PSU700 with SSU4-K-L31, no modification is necessary for PSU200-K-L45 or something like that.

The following changes concerning this documentation are done:

1. In the four connector to the sensors: **pin1** is connected with **gnd** for current return
2. The current output signal of the sensor is connected via a **0 ohms** resistor to the corresponding channel of the 15 pin connector for the instrument. When the current returns from the instrument it is fed into ground.
3. The SSU4 with modification can **not** be used with **PSU600!**

6.2.7 Modification option of SSU4 available for the use of PSU1000HF together with LMG450 and LMG500

The following changes concerning this documentation are done:

1. DSUB9 connectors for the sensors:

Pin	Usage
5	-15V, max. 1000mA
6	Current output signal of the sensor (max. 1000mA)
9	+15V, max. 1000mA

6.3 Artificial mid point for multi phase power meters (LMG-Z-AMP)

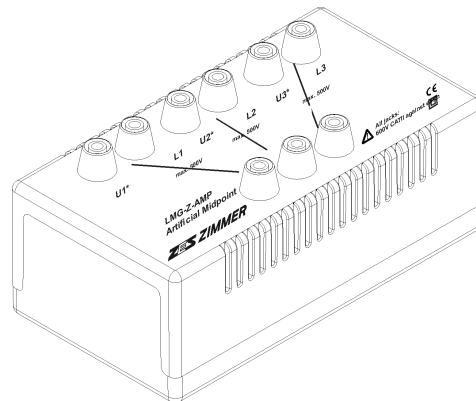


Figure 122: Artificial mid point (LMG-Z-AMP)

6.3.1 Safety warning!

Please refer to chapter 1.1: ‘Safety precautions’!

6.3.2 General

When measuring at three-phase systems without accessible star point (typical for frequency inverters), an artificial star point is needed for measurements in star connections. If necessary, the losses of the artificial star point have to be considered. They can be determined exactly. The formula editor can be used to automatically calculate these losses and correct them.

6.3.3 Connection to the LMG

The LMG-Z-AMP is connected to the LMG using the six cables of the LMG (3x black, 3x yellow). Connect each channel U with U and U* with U*. At the L1, L2, L3 jack you can connect your voltage via the three delivered yellow measuring leads. The three black sockets U1, U2 and U3 (they represent the artificial mid point) are interconnected!

6.3.4 Specifications

U _{max} line-to-neutral	500V
U _{max} against earth	600V
R _{typ.}	65.8 kohms
Accuracy of the phase resistors in relation to each other	±0.01%
Weight	220g
Dimensions:	150mm x 80mm x 65mm

6.4 Adaptor for measurement at Schuko devices (LMG-MAS)



Figure 123: Adaptor for Schuko devices (LMG-MAS)

6.4.1 Safety warning!

Attention! The PE jack should not be used for earthing external devices. It is only allowed to use it for measuring purposes.

Please refer to chapter 1.1: 'Safety precautions'!

6.4.2 General

The MAS is a adaptor for measuring at single phase devices with Schuko inlet connector up to 16A. It was developed for the instrument series LMG. The supply is done by the fix mounted Schuko inlet. The load is connected to the fixed mounted Schuko jack. With the LMG-MAS you can measure the voltage (jacks U and U*). The current is also accessible (from I* to I). This jacks have to be connected to the jacks of the measuring instrument.

Important!

If you dont want to measure the current, the jacks I* and I have to be short circuit to enable the current to flow.

The internal wiring is done so that the load is measured with correct current. This wiring is perfect suited for the measurement of stand by power.

An important point is the safety. The MAS is in compliance with IEC61010-1 and was constructed for voltages up to 250V CAT III.

6.5 Adaptor for measurement at IEC connector devices (LMG-MAK1)

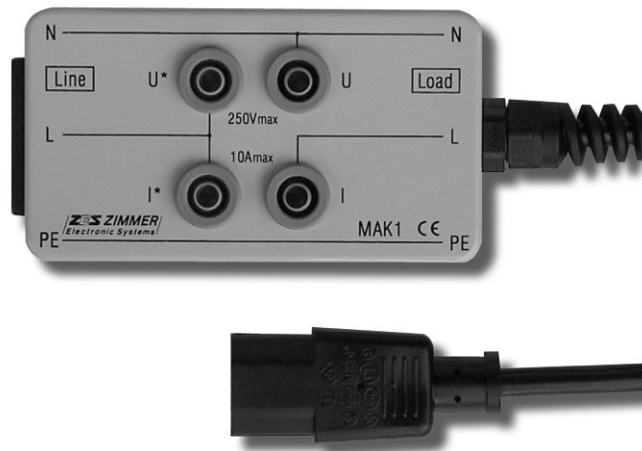


Figure 124: Adaptor for IEC connector devices (LMG-MAK1)

6.5.1 Safety warning!

Please refer to chapter 1.1: 'Safety precautions'!

6.5.2 General

The MAK1 is an adaptor for measuring at single phase devices with IEC inlet connector up to 10A. It was developed for the instrument series LMG90 and LMG95, but you can also connect other instruments like LMG310, LMG450 or LMG500.

The supply is done by a IEC inlet cord which must be connected to the MAK1. The load is connected by the fixed mounted cord.

With the MAK1 you can measure the voltage (jacks U and U*). The current is also accessible (from I* to I). This jacks have to be connected to the jacks of the measuring instrument.

Important!

If you don't want to measure the current, the jacks I* and I have to be short circuit to enable the current to flow!

The internal wiring is done so that the load is measured with correct current. This wiring is perfect suited for the measurement of stand by power.

An important point is the safety. The MAK1 is in compliance with IEC61010-1 and was constructed for voltages up to 300V CAT III.

6.6 Adaptor for measurement at 16A/3phase devices (LMG-MAK3)



Figure 125: Adaptor for 16A/3phase devices (LMG-MAK3)

6.6.1 Safety warning!

Attention: Ensure in any case, that the N (neutral) on the patch panel is connected from the input side to the output side! Either via a current measurement path or with a short circuit on the patch panel. An open N (neutral) can lead to dangerous voltage at the output and may destroy the connected load!! If you don't want to measure the current in L1/L2 or L3, the jacks I_x^* and I_x have to be short circuit to enable the current to flow! Please refer to chapter 1.1: 'Safety precautions'!

6.6.2 General

The MAK3 is an adaptor for measuring at 3 phase systems up to 16A per phase. It was developed for the instrument series LMG310, LMG450 and LMG500, but you can also connect other instruments.

The supply is done by a about 2m long wire. The schuko jack is to supply the instrument. If you are measuring a load, the power consumption of the instrument is not taken into account, because it is supplied before the measuring connectors. If you are measuring a generator, you should supply the instrument from another jack to avoid measuring errors.

With the MAK3 you can measure the voltage of the three phases (jacks U_1^* , U_2^* and U_3^*) against the neutral connector (U_1 , U_2 and U_3). But you can also measure the linked voltages. The three currents are also accessible (from I_1^* , I_2^* and I_3^* to I_1 , I_2 and I_3). Further on by using a 4-channel instrument you can measure the voltage between neutral and earth (U_4^* against U_4) as well as the current in the neutral (I_4^* to I_4).

Important!

If you don't want to measure the current in a wire, the jacks I_x^* and I_x have to be short circuit to enable the current to flow!

The load is connected to the CEE jack. The load is measured with correct currents. If measuring a generator the voltage is correct.

An important point is the safety. The MAK3 is in compliance with IEC61010-1 and was constructed for voltages up to 300/520V CAT III.

6.7 Safety Grip for current and voltage connection (LMG-Z301)

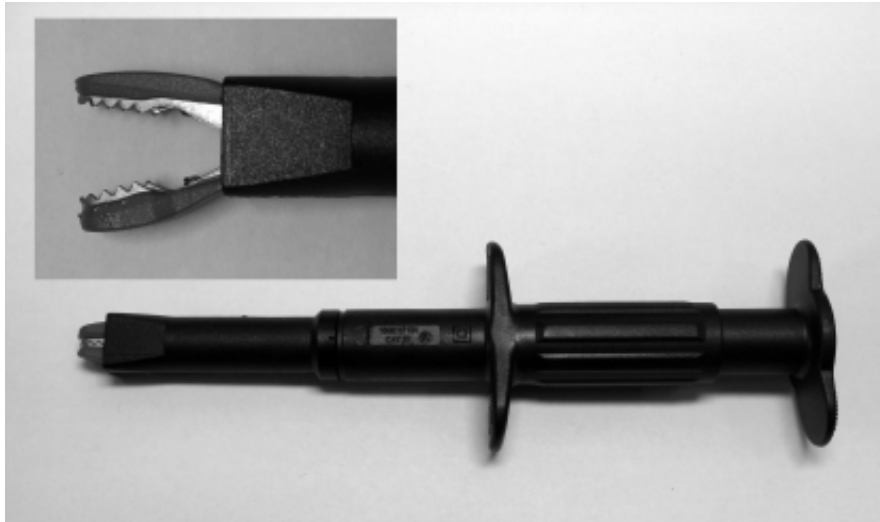


Figure 126: Safety claw grip (LMG-Z301)

6.7.1 Safety warning!

Please refer to chapter 1.1: 'Safety precautions'!

6.7.2 Description

Safety claw grip, type CI, 16A / 1000V / CATIII. Test clips for current and voltage connection with on the outside insulated steel jaws. Available in red and black.

6.8 DSUB25 Adapter for LMG process signal interfaces (L5-IOBOX-S/-F)

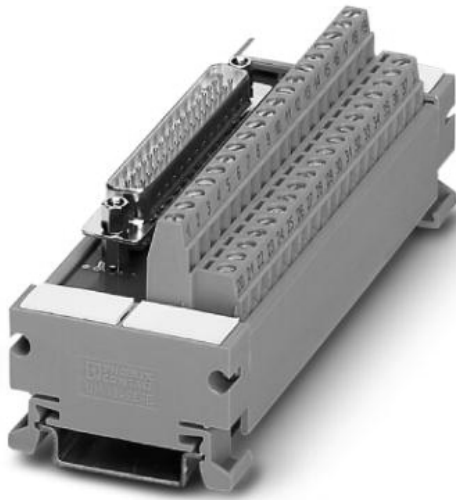


Figure 127: Adapter from DSUB25 to screw cage connection (L5-IOBOX-S)

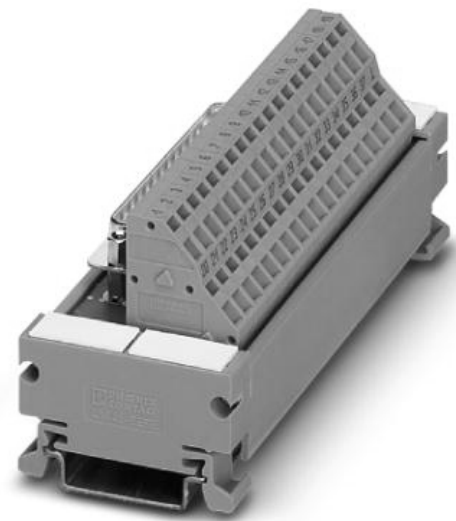


Figure 128: Adapter from DSUB25 to spring cage connection (L5-IOBOX-F)

6.8.1 Included in delivery

- 2m connection cable DSUB25f to DSUB25m to connect this adapter to LMG process signal interface

6.9 Adapter for incremental rotation speed encoders (L45-Z18)

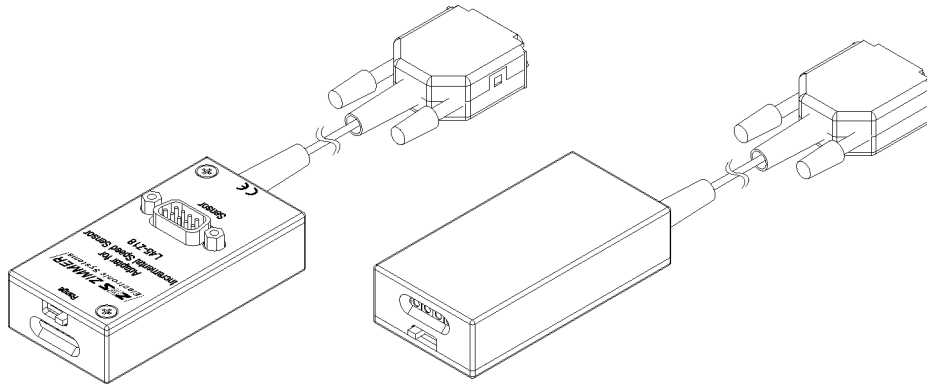


Figure 129:L45-Z18

6.9.1 Safety warning!

Always connect the sensor first to the meter, and afterwards to the device under test. Connecting cable without safety isolation! Avoid contact to hazardous voltage! Please refer to chapter 1.1: ‘Safety precautions’!

6.9.2 General

This plugon adapter for LMG450 converts pulses of common industrial incremental encoders with two 90 degree phase shifted pulse outputs into analogue voltage. This voltage can be analysed graphically with high temporal resolution by using sensor input of LMG450.

Compared to this, digital encoder input of process signal interface provides only one value each measuring cycle and with L45-Z18 you get a fast, high dynamic response to changes in rotation speed!

6.9.3 Description

Incremental encoders (speed sensors) with TTL technology (supply +5V and GND) or HTL technology (supply +5V and -5V) can be connected. There are four colour coded measuring ranges of the adapter to align with different pulse rates Z of the incremental encoder and maximum revolutions per minute Nmax.

Attention! Read measuring value I_{dc}, only this presents exact speed values according to absolute value and sign (depending on sense of rotation)! Positive output voltage is seen in case A signal leads electrically by 90° to B signal. This equates usually to clockwise rotation when looking onto the encoder shaft.

6.9.4 Ripple

As a matter of principle of frequency to voltage conversion there is a ripple at low revolution on output voltage. Built-in filters are optimised for short settling time without overshooting. In case that remaining ripple is too high, this can be reduced with the settings of LMG, for example:

- Select adjustable lowpass filter in measuring channel
- Extend the measuring cycle time
- Average over a couple of measurement cycles

Selection of the filter is always a compromise of fast reaction on variation of input signal and reduction of ripple on output signal. The user can find optimal setting weighing these antithetic approaches.

6.9.5 Incremental encoders with two 90 degree phase shifted pulse outputs

Measuring range	LED Colour	Red	Yellow	Green	Blue
Position of the slide switch adjacent of the LEDs	Unit	Left most	Left	Right	Right most
Z*Nmax (Pulse rate * max. revolution speed)	1 / min	144000	576000	2304000	9216000
Specified tolerance	% of m.value + % of m.range	$\pm(0.1+0.1)$	$\pm(0.1+0.1)$	$\pm(0.1+0.1)$	$\pm(0.1+0.1)$
Max. pulse input frequency using input A and B	Hz	2400	9600	38400	153600
Formula for "Scale"	1 / min	1152000 / Z	1152000 / Z	1152000 / Z	1152000 / Z

“Z” is the number of pulses per rotation of the used incremental encoder (speed sensor)

6.9.6 Incremental encoders with single pulse outputs

Measuring range	LED Colour	Red	Yellow	Green	Blue
Position of the slide switch adjacent of the LEDs	Unit	Left most	Left	Right	Right most
Z*Nmax (Pulse rate * max. revolution speed)	1 / min	288000	1152000	4608000	9216000
Specified tolerance	% of m.value + % of m.range	$\pm(0.1+0.1)$	$\pm(0.1+0.1)$	$\pm(0.1+0.1)$	$\pm(0.1+0.1)$
Max. pulse input frequency using input A	Hz	4800	19200	76800	153600
Formula for "Scale"	1 / min	2304000 / Z	2304000 / Z	2304000 / Z	1152000 / Z

“Z” is the number of pulses per rotation of the used incremental encoder (speed sensor)

The recognition of the rotating direction is not possible.

The output voltage is always negative if input B is left open.

The output voltage is always positive if input B is tied to pin ‘supply +5V’

6.9.7 Scaling

In range menu of LMG450 you can set the calculated scale value of the last line from above mentioned chart, depending on the pulse rate Z per rotation of the used incremental encoder. Then the revolution will be presented correctly in value 1/min on the display. The unit will however be A (or V)! Displayed 1.465kA means 1465 1/min. For further user-friendly presentation utilise capabilities of LMG450 built-in formula editor and user defined menu.

6.9.8 Pin assignment

9 pin D-Sub connector (male) to incremental encoder

Pin No.	1	2	3	4	5	6	7	8	9	Screen
Function	Supply +5V	Supply -5V	GND (on screen)	Input A	Input B	No connection (internal test pins)				Screen (on GND)

6.9.9 Pulse input A and B

Permissible input voltage: $U_{lowmin} = -30V$ at $-1.4mA$, $U_{lowmax} = +0.8V$ at $0.001mA$
 $U_{highmin} = +2V$ at $0.002mA$, $U_{highmax} = +30V$ at $1.2mA$

Input resistance: $1M\Omega$ at $0V < U_{in} < +5V$
 $22k\Omega$ at $-30V < U_{in} < +30V$

6.9.10 Encoder supply

Voltage: $\pm 5V, \pm 10\%$

Load: max. $\pm 100mA$

6.9.11 Connection of the sensor with LMG90/310/95

not possible

6.9.12 Connection of the sensor with LMG450

Plug-and-use solution like current sensors. Use current channel.

6.9.13 Connection of the sensor with LMG500

not possible, use L50-Z18

6.10 Adapter for incremental rotation speed encoders (L50-Z18)

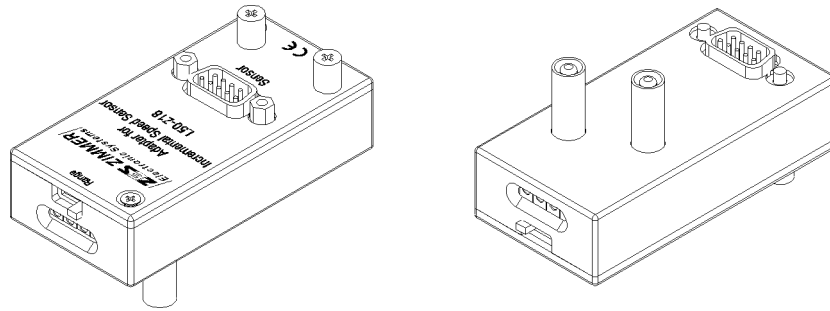


Figure 130:L50-Z18

6.10.1 Safety warning!

Always connect the sensor first to the meter, and afterwards to the device under test. Connecting cable without safety isolation! Avoid contact to hazardous voltage! Please refer to chapter 1.1: ‘Safety precautions’!

6.10.2 General

This plugon adapter for LMG500 converts pulses of common industrial incremental encoders with two 90 degree phase shifted pulse outputs into analogue voltage. This voltage can be analysed graphically with high temporal resolution by using sensor input of LMG500.

Compared to this, digital encoder input of process signal interface provides only one value each measuring cycle and with L50-Z18 you get a fast, high dynamic response to changes in rotation speed!

6.10.3 Description

Incremental encoders (speed sensors) with TTL technology (supply +5V and GND) or HTL technology (supply +5V and -5V) can be connected. There are four colour coded measuring ranges of the adapter to align with different pulse rates Z of the incremental encoder and maximum revolutions per minute N_{max} .

Attention! Read measuring value I_{dc} , only this presents exact speed values according to absolute value and sign (depending on sense of rotation)! Positive output voltage is seen in case A signal leads electrically by 90° to B signal. This equates usually to clockwise rotation when looking onto the encoder shaft.

6.10.4 Ripple

As a matter of principle of frequency to voltage conversion there is a ripple at low revolution on output voltage. Built-in filters are optimised for short settling time without overshooting. In case that remaining ripple is too high, this can be reduced with the settings of LMG, for example:

- Select adjustable lowpass filter in measuring channel
- Extend the measuring cycle time
- Average over a couple of measurement cycles

Selection of the filter is always a compromise of fast reaction on variation of input signal and reduction of ripple on output signal. The user can find optimal setting weighing these antithetic approaches.

6.10.5 Incremental encoders with two 90 degree phase shifted pulse outputs

Measuring range	LED Colour	Red	Yellow	Green	Blue
Position of the slide switch adjacent of the LEDs	Unit	Left most	Left	Right	Right most
Z*Nmax (Pulse rate * max. revolution speed)	1 / min	144000	576000	2304000	9216000
Specified tolerance	% of m.value + % of m.range	$\pm(0.1+0.1)$	$\pm(0.1+0.1)$	$\pm(0.1+0.1)$	$\pm(0.1+0.1)$
Max. pulse input frequency using input A and B	Hz	2400	9600	38400	153600
Formula for "Scale"	1 / min	$1152000 / Z$	$1152000 / Z$	$1152000 / Z$	$1152000 / Z$

“Z” is the number of pulses per rotation of the used incremental encoder (speed sensor)

6.10.6 Incremental encoders with single pulse outputs

Measuring range	LED Colour	Red	Yellow	Green	Blue
Position of the slide switch adjacent of the LEDs	Unit	Left most	Left	Right	Right most
Z*Nmax (Pulse rate * max. revolution speed)	1 / min	288000	1152000	4608000	9216000
Specified tolerance	% of m.value + % of m.range	$\pm(0.1+0.1)$	$\pm(0.1+0.1)$	$\pm(0.1+0.1)$	$\pm(0.1+0.1)$
Max. pulse input frequency using input A	Hz	4800	19200	76800	153600
Formula for "Scale"	1 / min	2304000 / Z	2304000 / Z	2304000 / Z	1152000 / Z

“Z” is the number of pulses per rotation of the used incremental encoder (speed sensor)

The recognition of the rotating direction is not possible.

The output voltage is always negative if input B is left open.

The output voltage is always positive if input B is tied to pin ‘supply +5V’

6.10.7 Scaling

In range menu of LMG500 you can set the calculated scale value of the last line from above mentioned chart, depending on the pulse rate Z per rotation of the used incremental encoder. Then the revolution will be presented correctly in value 1/min on the display. The unit will however be A (or V)! Displayed 1.465kA means 1465 1/min. For further user-friendly presentation utilise capabilities of LMG500 built-in formula editor and user defined menu.

6.10.8 Pin assignment

9 pin D-Sub connector (male) to incremental encoder

Pin No.	1	2	3	4	5	6	7	8	9	Screen
Function	Supply +5V	Supply -5V	GND (on screen)	Input A	Input B	No connection (internal test pins)				Screen (on GND)

6.10.9 Pulse input A and B

Permissible input voltage: $U_{lowmin} = -30V$ at $-1.4mA$, $U_{lowmax} = +0.8V$ at $0.001mA$
 $U_{highmin} = +2V$ at $0.002mA$, $U_{highmax} = +30V$ at $1.2mA$

Input resistance: $1M\Omega$ at $0V < U_{in} < +5V$
 $22k\Omega$ at $-30V < U_{in} < +30V$

6.10.10 Encoder supply

Voltage: $\pm 5V, \pm 10\%$

Load: max. $\pm 100mA$

6.10.11 Connection of the sensor with LMG90/310/95

not possible

6.10.12 Connection of the sensor with LMG450

not possible, use L45-Z18

6.10.13 Connection of the sensor with LMG500

Plug-and-use solution like current sensors. Use current channel.

6.11 Synchronisation adapter with adjustable lowpass filter (L50-Z19)

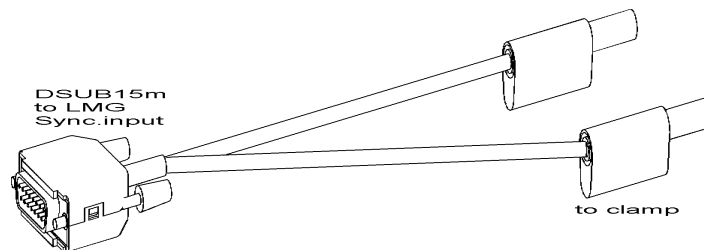


Figure 131:L50-Z19

6.11.1 Safety warning!

- 1.) first connect the clamp to L50-Z19
- 2.) connect L50-Z19 to LMG500 Sync.input and switch the power meter on
- 3.) then connect the clamp to the device under test.

Synchronisation adapter without safety isolation! Only for current clamps with galvanic isolation! NO DIRECT CONNECTION TO ANY EXTERNAL VOLTAGES!!

Please refer to chapter 1.1: 'Safety precautions'!

L50-Z19 is an accessory for the precision power meter LMG500. It can be used with any xxA:1A current clamp, e.g. LMG-Z325, LMG-Z326, LMG-Z322 or LMG-Z329. A burden resistor, a high sensitivity amplifier and a 8th order Butterworth lowpass filter are included in the DSUB15 plug to assure stable synchronisation to any disturbed signal.

It simplifies the synchronisation to the fundamental current frequency of a frequency inverter output. It needs about 100uA fundamental current at the signal input. That means with a 1000A:1A current clamp it is possible to detect the fundamental in a wide current range from 100mA to 1000A. If the fundamental current is lower than 100mA, several load current windings in the clamp can be used to enlarge the sensitivity or use an other clamp with 100A:1A ratio. LMG500 settings in the measure menu: set 'Sync' to 'ExClmp' and adjust the lowpass corner frequency.

Important: L50-Z19 can be configured only in Group A, if it is configured in Group A, it can be used in Group B as well via 'Sync ext.'

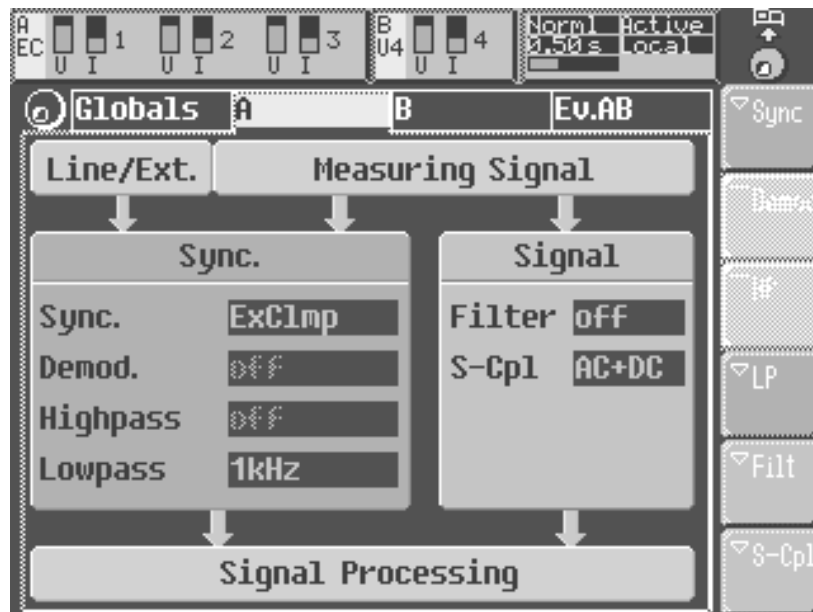


Figure 132:L50-Z19

Select a filter with a lowpass frequency bigger than every possible fundamental frequency and(!) lower than every possible switching frequency, under all conditions of starting, breaking and acceleration of the motor.

6.11.2 Specifications

filter name	200Hz	500Hz	1kHz	2kHz	5kHz	10kHz	20kHz
-3dB corner frequency	312.5Hz	625Hz	1.25kHz	2.5kHz	5kHz	10kHz	20kHz
filter type	8th order Butterworth						
min. current for stable synchronisation	about 100uA						
max. current	1A _{rms}						
isolation	NO ISOLATION! (see safety warning)						
connection length	about 50cm (but can be extended with usual safety laboratory leads)						

6.11.3 Connection of the sensor with LMG90/310/95/450

not possible

6.12 Ethernet Adapter (L95-Z318, L45-Z318, L50-Z318, LMG-Z318)

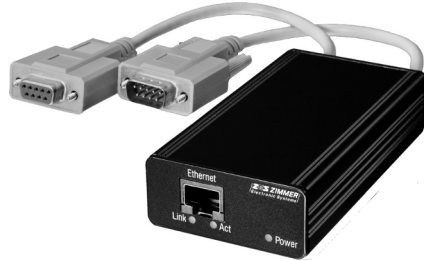


Figure 133: L95-Z318, L45-Z318, L50-Z318 - supply via LMG

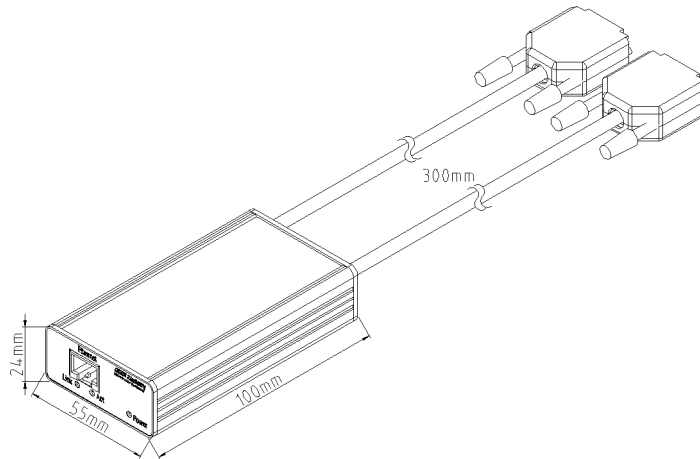


Figure 134: L95-Z318, L45-Z318, L50-Z318 - supply via LMG



Figure 135: LMG-Z318 - external supply via wall wart

This LAN adapter Z318 is useful for the communication with a power meter LMG located anywhere in a local area network LAN via a virtual COM port simulation. The communication is transmitted by the driver over LAN to the LMG for user purposes in the same way as e.g. the direct connection of PC/COM1 to LMG/COMa. The power meter LMG will be accessible via this virtual COM port. Perfect suitable for LMG Control software.

6.12.1 Safety warning!

Please refer to chapter 1.1: ‘Safety precautions’!

6.12.2 System requirements, hardware specifications

- Windows XP home / Windows XP professional / Windows7 / 32bit or 64bit.
For other operating systems (including Windows: 98 / 2000 / NT /Vista, Linux: Debian / Mandriva / RedHat / Suse / Ubuntu) see <http://www.digi.com> -> support -> drivers and download the driver appropriate for your operating system for ‘Digi Connect SP’.
- auto-sensing to 10/100 Mbit/s Ethernet
- throughput up to 230.400 baud
- data flow control with RTS/CTS, hardware reset with ‘break’
- data throughput with LMG95/450/500
 - binary mode: about 3000 measuring values (trms, ac, dc, ..., harmonics, flicker, sample values, ...) per second!
 - ascii mode: about 1000 measuring values per second

6.12.3 Connection of the adapter L95-Z318 with LMG95 / LMG95e

- Plug the connector of L95-Z318 labeled with „to LMG’s COM B conn.“ to the LMG95 / LMG95e COM B jack.
- Plug the connector of L95-Z318 labeled with „supply“ to the LMG95 / LMG95e auxiliary transducer supply jack, if your application uses the supply jack e.g. for PSU600, then use LMG-Z318 with external supply via wall wart.
- Switch on the power meter and connect the LAN cable.
- assure that the LMG firmware is 3v136 or newer for LMG95, 5v136 or newer for LMG95e

6.12.4 Connection of the adapter L45-Z318 with LMG450

- Plug the connector of L45-Z318 labeled with „to LMG’s COM B conn.“ to the LMG450 COM B jack.

- Plug the connector of L45-Z318 labeled with „supply“ to one of the LMG450 current clamp 1/2/3/4 jacks whichever is free, if your application uses four current sensors, then use LMG-Z318 with external supply via wall wart.
- Switch on the power meter and connect the LAN cable.
- assure that the LMG firmware is 2v121 or newer

6.12.5 Connection of the adapter L50-Z318 with LMG500

- Plug the connector of L50-Z318 labeled with „to LMG’s COM B conn.“ to the LMG500 COM B jack.
- Plug the connector of L50-Z318 labeled with „supply“ to one of the LMG500 sensor ID jacks whichever is free.
- Switch on the power meter and connect the LAN cable.
- assure that the LMG firmware is 4v077 or newer

6.12.6 Connection of the adapter LMG-Z318 with any LMGxx

- Connect the DSUB9 jack of LMG-Z318 with a 1:1 serial connection cable to LMGs COMa.
- Connect the wall wart with power input of LMG-Z318.
- Switch on the power meter and connect the LAN cable.

6.12.7 Configure the LAN connection with the Realport setup wizard

- You will find the setup wizard on the ZES support CD under driver\z318 or on the webpage <http://www.zes.com>. Start setup32.exe for 32-bit systems or setup64.exe for 64-bit systems.

Press ‘next’, the wizard tries to find the ethernet adapter. If it is not found, press reset for about 3 seconds at the backside of the ethernet adapterbox to remove possible given prior IP address and wait for about 1 minute before searching again.

This is the most important point in the installation. If the wizard still can not find the Z318 in your LAN, please ask your system administrator before you contact the support hotline of ZES. The support engineers of ZES will need a lot of detailed information about your local network to consult.

- If the wizard found one or more devices choose the appropriate one and press ‘next’.

- Take care, that Z318 gets the same IP address after its next startup. Configure your local DHCP server that the fix MAC address of Z318 gets everytime the same IP address or set a fix (and free!) IP address manually. This is important, because in the next step you assign a virtual COM port to this IP address and if the IP address was different after the next startup, the virtual COM port would be not available.
- Select: 'add a new device'. It might be necessary to remove previous installed drivers with 'remove an existing device'.

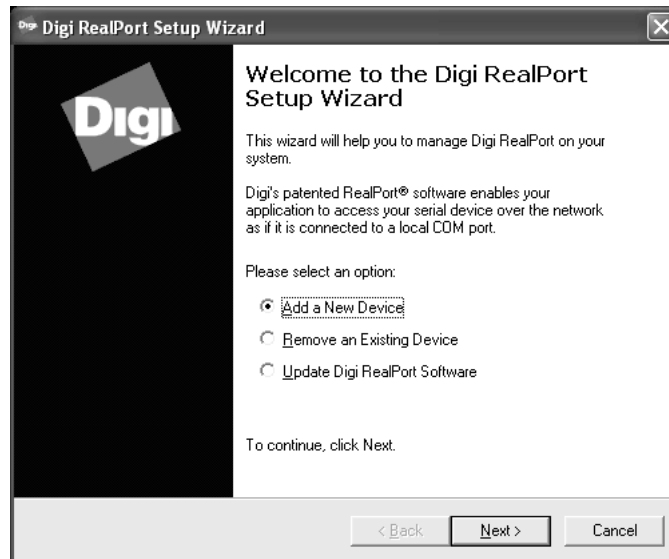


Figure 136

- Select the device ..

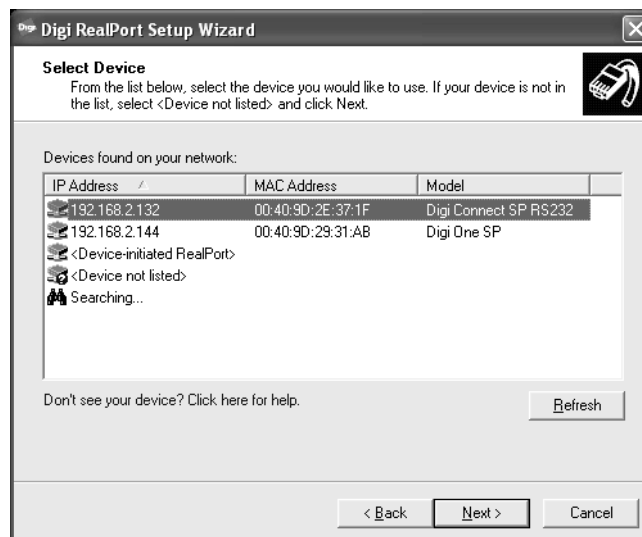


Figure 137

- .. and assign a virtual COM port:

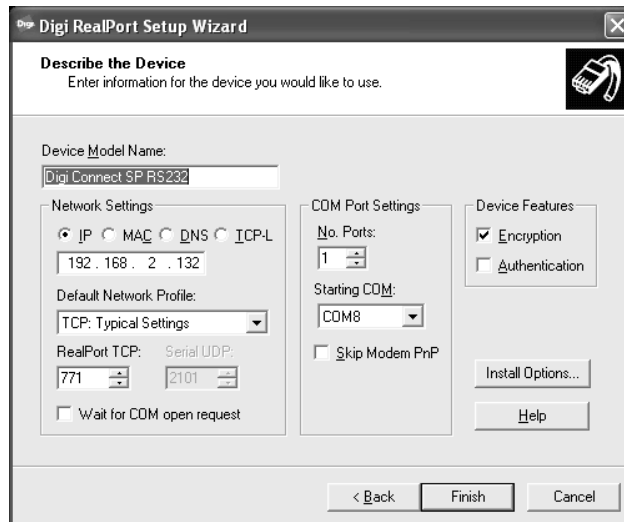


Figure 138

The power meter LMG is now accessible via this virtual COM port.

6.12.8 Configuration and Management by web interface

- Start your Browser and login to the IP address obtained to your LAN adapter Z318 <http://192.168.x.xx/login.htm> with the username 'root' and the password 'dbps':

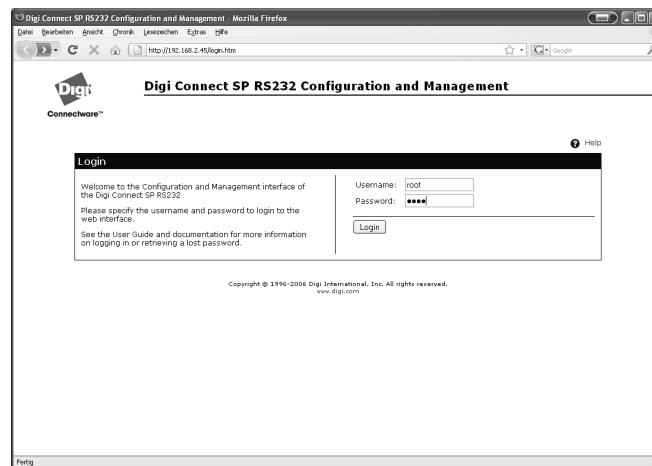


Figure 139

- Here you can manage the settings in a comfortable way: e.g. check MAC Address, IP Adress, firmware update and so on.

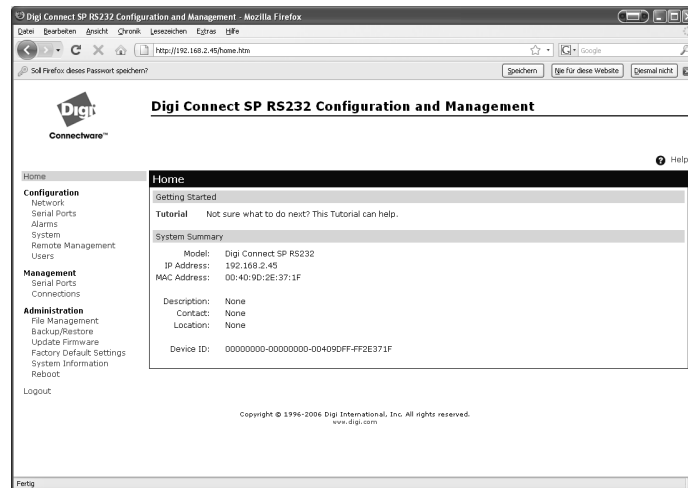


Figure 140

6.12.9 Troubleshooting

The following problems may appear while installing the ethernet adapter. If the problem remains after checking the following points, please contact ZES at sales@zes.com or ++49 6171 628750

- please check all connections: supply, RS232, LAN,
in case of LMG-Z318 and LMGx COMa: use 1:1 serial cable, no nullmodem
- connect the ethernet adapter to the power supply, press reset, wait for about 1 minute and try again
- switch off your antivirus protection software, the firewall may block the communication

6.13 USB-RS232 Adapter (LMG-Z316)

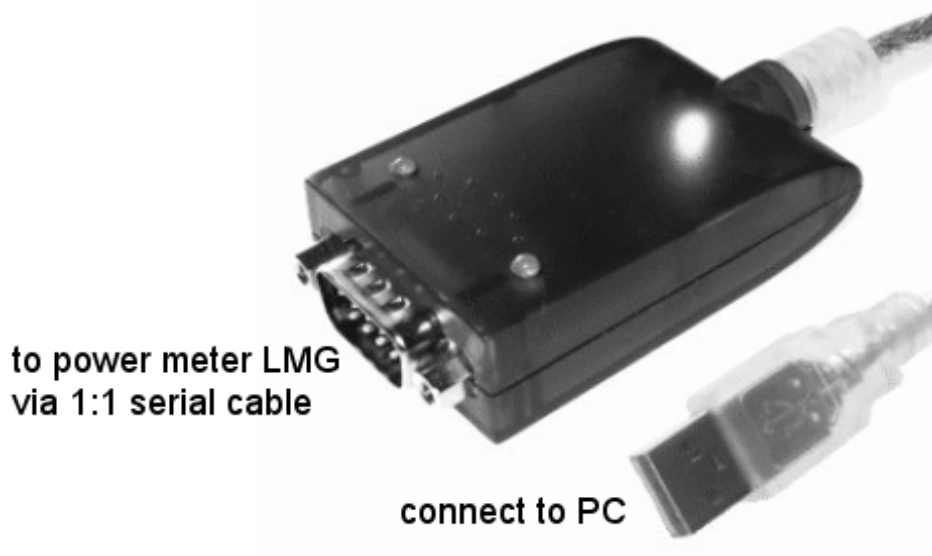


Figure 141: LMG-Z316

This USB-RS232 adapter Z316 is useful for the communication with a power meter LMG and a PC with USB port via a virtual COM port simulation. The communication is transmitted by the driver over USB to the adapter for user purposes in the same way as e.g. the direct connection of PC/COMx to LMG/COMa. The power meter LMG will be accessible via this virtual COM port. Perfect suitable for LMG Control software.

6.13.1 Safety warning!

Please refer to chapter 1.1: ‘Safety precautions’!

6.13.2 System requirements, hardware specifications

- Windows: driver available for Windows XP home or professional / Windows Vista, see ZES support CD ‘LMG500 USB driver’
- Linux: driver is part of the kernel 2.4.x or newer (ftdi_sio Modul)
- throughput up to 230.400 baud
- supports data flow control with RTS/CTS, hardware reset with ‘break’

- adapter length about 1m, standard RS232 DSUB9 male with UNC nuts and USB typ A plug
- connection to LMG with standard 1:1 serial cable, elongation possible up to 15m

6.13.3 RS232 plug

DSUB9 male connector with UNC screw nuts, pin assignment:

pin1:	CD (carrier detect)
pin2:	RX (receive data)
pin3:	TX (transmit data)
pin4:	DTR (data terminal ready)
pin5:	GND
pin6:	DSR (dataset ready)
pin7:	RTS (request to send)
pin8:	CTS (clear to send)
pin9:	RI (ring indicator)

6.13.4 Included in delivery

- USB-RS232 Adapter
- DSUB9m to DSUB9f connection cable, pin assignment 1:1, about 1.8m

6.14 IEEE488 bus cable (LMG-Z312 /-Z313 /-Z314)



Figure 142: LMG-Z312 /-Z313 /-Z314

IEEE 488 bus cable, full screened metal-plug socket case to maintain the excellent noise immunity of all LMG instruments.

Cable length:

LMG-Z312 1m

LMG-Z313 2m

LMG-Z314 4m

6.14.1 Safety warning!

Please refer to chapter 1.1: 'Safety precautions'!

6.15 RS232 interface cable (LMG-Z317)



Figure 143: LMG-Z317

RS232 interface cable, DSUB 9 male to DSUB 9 female, length about 1.8m.

6.15.1 **Safety warning!**

Please refer to chapter 1.1: 'Safety precautions'!

6.16 Safety laboratory leads (LMG-Z307/308)

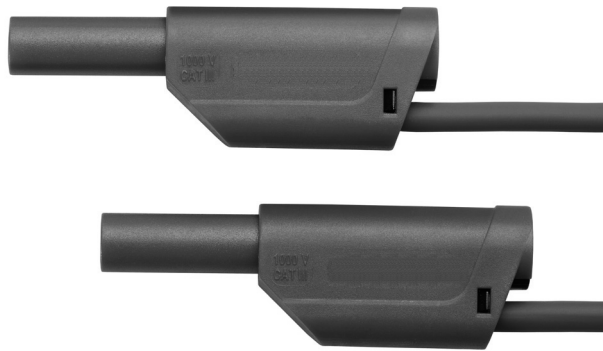


Figure 144: LMG-Z307/308

6.16.1 Safety warning!

Please refer to chapter 1.1: ‘Safety precautions’!

6.16.2 Specifications

Rated current	32A
Protection class	1000V / CAT III
Temperature range	-10°C to +80°C
Length	LMG-Z307: 0.25m LMG-Z308: 1.25m

7 Voltage sensors

7.1 Precision high voltage divider (HST3/6/9/12)



Figure 145: precision high voltage divider HST12-3

7.1.1 Safety warning!

The HST Series is not designed for working on medium voltage grids!

The normal use of the HST3/ 6/ 9/ 12 series needs a connection to high voltages. To fulfill the safety requirements it is under all conditions **absolutely necessary to earth the case** of the HST3/ 6/ 9/ 12 **to obtain safety** and functionality! Use sufficient cross section of the earthing conductor to match the possible shortcircuit currents!

Connection to voltages of more than 1000V should only be done with the use of external high-voltage high breaking capacity fuses!

To prevent partial discharges the unshielded high-voltage leads of HST must have a distance between each other, to other conductive parts and against earth of at least 25mm (HST3 and HST6) and 50mm (HST9 and HST12)! Don't touch the high-voltage leads to avoid partial discharges.

Because the measuring inputs of HST are designed for voltages >1000V, the respective safety rules for electrical equipment and installations above 1000V have strictly to be regarded!

Please refer to chapter 1.1: 'Safety precautions'!

7.1.2 General

The wide band precision high voltage divider of series HST expand the voltage measuring range of ZES ZIMMER precision power meter LMG for use at nominal voltages over 1000V. The high voltage inputs are equipped with 2m leads that is attached to the voltage measured against earth. The open leads can be aligned by the customer.

The HST 3 (resp. HST6/9/12) divides DC, AC or any distorted voltages with very high accuracy by the factor 1000 (resp. 2000/3000/4000). The divided voltage is available at the buffered low impedance BNC output. To avoid noise interference it is recommended to use shielded cables to the measuring input of the LMG.

The HST can be delivered in one, two or three channel version as to match the particular measuring task.

The single phase HST is used in single ended systems (e.g. lighting, plasma generation, induction heating, ultrasonic applications). Line to line voltages can be measured as difference between the output signals of the channels. For floating (difference) voltage measuring therewith the 2-phase HST is best suitable.

The HST has been designed for measurements at gas discharge lamps, to measure the high frequency burning voltage and the ignition voltage with high precision. These characteristics enable the use of the HST at frequency inverters with voltage peaks above 1000V. These applications have no risk of surge and transient overvoltages by lightning or switching operations. The voltage peaks in these applications are well defined and are produced by the application itself with a limited energy.

However the HST should be protected by external high voltage high breaking capacity fuses. A further improvement of operational reliability is possible with external surge arresters. It should be connected on the HST input behind the fuse against earth.

7.1.3 Specifications for serial numbers starting with 'B...', 'C...', 'D...'

Series	HST3	HST6	HST9	HST12
maximum trms input voltage	3.15kV	6.3kV	9.45kV	12.6kV
maximum peak voltage for full scale	5kV	10kV	15kV	20kV
input impedance	10M Ω 50pF	20M Ω 25pF	30M Ω 22pF	40M Ω 20pF
dividing ratio	1/1000	1/2000	1/3000	1/4000
accuracy of dividing ratio	max. $\pm 0.08\%$ (45Hz ... 65Hz) typ. $\pm 2\%$ (300kHz; burden<100pF)			
influence of power measurement	max. $\pm 0.1\%$ (45Hz ... 65Hz; PF>0.8) typ. $\pm 3\%$ (300kHz; burden<100pF; PF>0.8)			
measurement input	one fixed high voltage lead (length 2m) for each channel, earth jack as the common reference point			
signal output	one BNC socket for each channel			
output burden	min. 500 Ω ; max. 2nF			
safety class	class I; device must be earthed additionally to PE of mains supply cord.			
enclosure	robust aluminium case			
size (L x W x H) without cable and connectors	330mm x 230mm x 110mm		400mm x 230mm x 110mm	
weight	approx. 6.1kg		approx. 7.2kg	
mains supply	230V / 50Hz; approx. 20VA			

Overvoltage capabilities of high voltage input against earthed case:

No transient overvoltages allowed!

7.1.4 Specifications for serial numbers starting with 'E...'

	Series	HST3			HST6			HST9			HST12		
	no. of channels	1	2	3	1	2	3	1	2	3	1	2	3
	ordering type	HST 3-1	HST 3-2	HST 3-3	HST 6-1	HST 6-2	HST 6-3	HST 9-1	HST 9-2	HST 9-3	HST 12-1	HST 12-2	HST 12-3
Nominal electrical rating of measuring inputs	maximum sine trms voltage for full scale	3.5kV			7kV			10.5kV			14kV		
	maximum trms input voltage	4.2kV			8.4kV			12.6kV			16.8kV		
	maximum peak voltage for full scale	5kV			10kV			15kV			20kV		
	input impedance	10M Ω 50pF			20M Ω 25pF			30M Ω 22pF			40M Ω 20pF		
	dividing ratio	1/1000			1/2000			1/3000			1/4000		
	<u>measuring accuracy</u>	<u>tolerance of ratio</u>			<u>tolerance of phase</u>								
	DC	max. $\pm 0.1\%$			-								
0.05Hz ... 45Hz	max. $\pm 0.1\%$			$\pm 0.06^\circ$									
45Hz ... 65Hz	max. $\pm 0.05\%$			$\pm 0.06^\circ$									
65Hz ... 2.5kHz	max. $\pm 0.1\%$			$\pm 0.2^\circ$									
2.5kHz ... 10kHz	max. $\pm 0.2\%$			$\pm 0.4^\circ$									
10kHz ... 100kHz	max. $\pm 0.3\%$			$\pm 0.5^\circ$									
100kHz...300kHz;	typ. $\pm 2\%$			$\pm 2.5^\circ$									
conditions for accuracy specifications	input voltage from 3% to 100% of maximum trms input voltage output burden min. 1k Ω max. 1nF (except min 1k Ω max. 100pF at 100kHz...300kHz)												
Overvoltage capability of highvoltage input against earthed case (*) voltages in accordance to EN61010:2010, valid for max. altitude 2000m over sea level	maximum trms voltage*	4.2kV			8.4kV			12.6kV			16.8kV		
	maximum periodic peak voltage*	5kV			10kV			15kV			20kV		
	maximum transient overvoltage*	3.8kV			6.8kV			8.8kV			10.2kV		
	non-repetitive maximum peak voltage*	8.8kV			16.8kV			23.8kV			30.2kV		
Mechanical	measurement input	one fixed high voltage lead (length 2m) for each channel, earth jack as the common reference point											
	signal output	one BNC socket for each channel											
	enclosure	robust aluminium case											
	size (L x W x H)	330mm x 230mm x 110mm						400mm x 230mm x 110mm					
	installation dimension (L x W x H)	490mm x 230mm x 110mm						590mm x 230mm x 110mm					
	weight	approx. 6.1kg						approx. 7.2kg					
	Other	temperature range	5...40°C, indoor use only										
safety class		class I; device must be earthed additionally to PE of mains supply cord.											
mains supply		85..265V; 45..65Hz; approx. 20VA											

7.1.5 Measurement principle HST

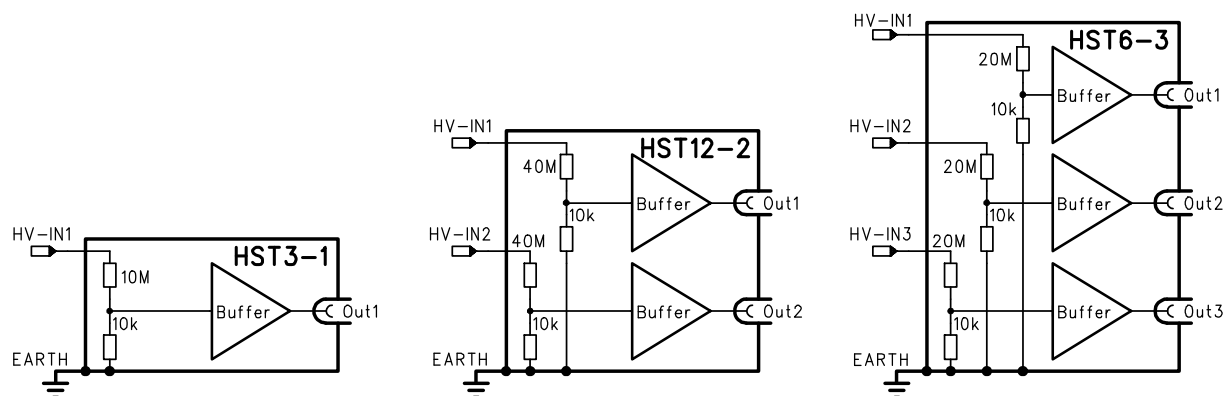


Figure 146: principle structure of different HST types

7.1.6 Example wirings

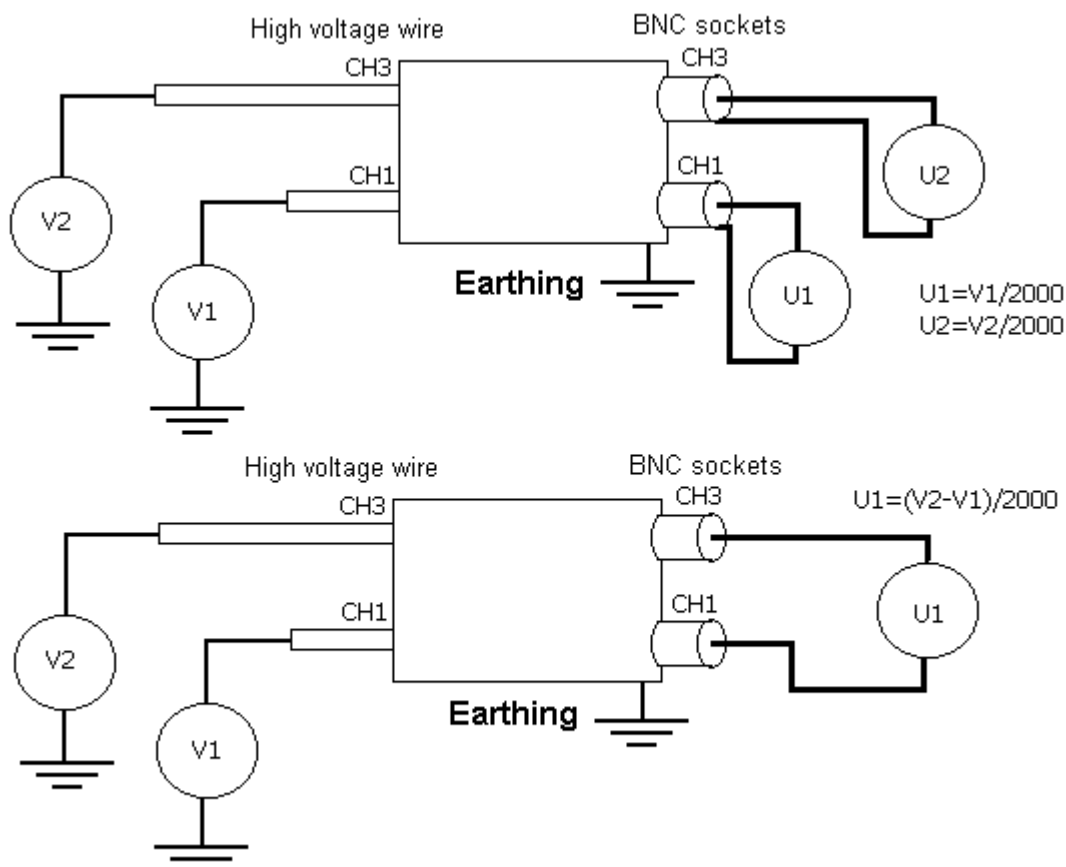


Figure 147: example wirings HST6-2

Two possible example wirings are shown: A two channel measurement in the upper part of the figure and a differential voltage measurement in the lower part of the figure.

7.1.7 HST wiring of 3-phase systems

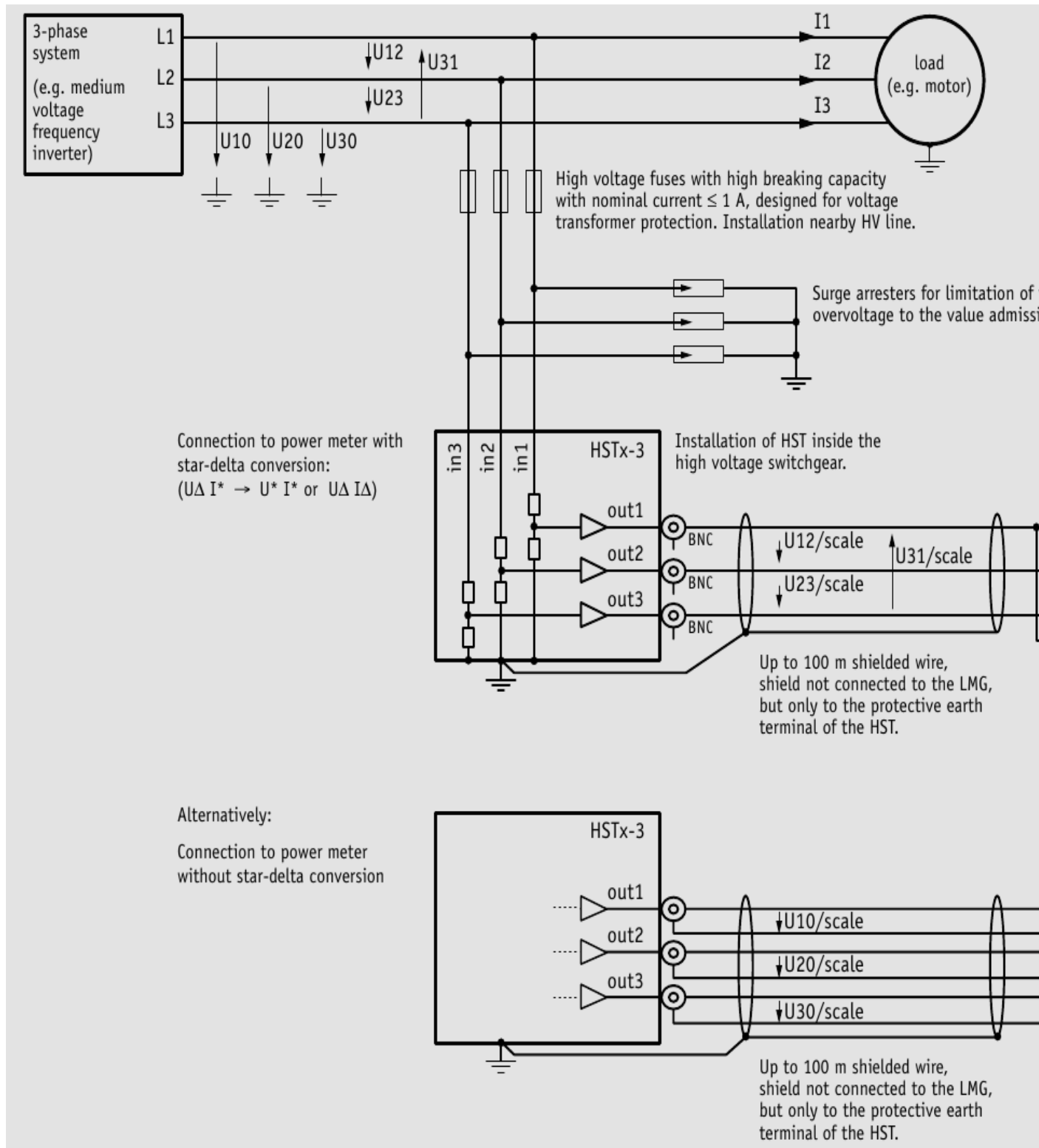


Figure 148: HST wiring of 3-phase systems

On the highvoltage side HST input1, input2 and input3 connects to L1, L2 and L3. All voltage measurements have the same reference potential: earth.

Also isolated sources as these are always bound to earth by their earth capacities can be measured with the earthed HST.

On the low voltage side, the connection to the power meter LMG or other instruments can be done in two different ways:

1. Instruments with internal star-delta conversion are connected like shown in the upper part of the drawing. Advantage is that unbalanced sources are measured correctly, the total power is determined correctly as well as the power of each phase.
2. Instruments without star-delta conversion are connected like shown in the lower part of the drawing. The line voltages with reference potential earth can be tapped directly at the BNC jacks. Even with unbalanced sources, the total power is determined correctly.

7.1.8 Included in delivery

- precision high voltage divider (HST)
- about 3m BNC connection cable from HST to the power meter LMG
- adapter BNC to 4mm plugs

7.1.9 Option mounting clips (HST-Z01/Z02)

This option has to be specified at the order, respectively a refitting can be only made by ZES ZIMMER.

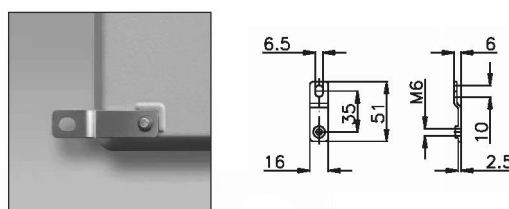


Figure 149: HST mounting clips, Dimensions in mm

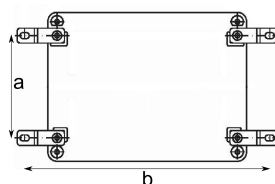


Figure 150: HST-Z01

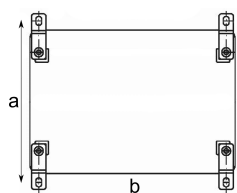


Figure 151: HST-Z02

HST	Option	a	b
HST3 HST6	HST-Z01	180mm	380mm
	HST-Z02	250mm	310mm
HST9 HST12	HST-Z01	180mm	450mm
	HST-Z02	250mm	380mm

7.1.10 Option HST-O1-1 supply connection via IEC320 connector

Supply connection mating to commonly used IEC-320-C13 appliance connectors.



Figure 152: HST-O1-1

7.1.11 Option HST-O1-2 supply connection via NEMA 5-15P connector

Supply connection mating to NEMA 5-15 sockets commonly used in USA.



Figure 153: HST-O1-2

7.1.12 External high-voltage high breaking capacity fuses

Although HV fuse-links are not able to protect the HST in the case of an internal fault, they should be installed. In the case of a fault the HST shall be disconnected from the supply as fast

as possible in order to limit the fault effects. This is why HV fuse-links of lowest possible rated currents are recommended.

Possible suppliers of this fuses are:

- SIBA (www.siba.com):
Indoor and outdoor voltage Transformer fuses HHD-BVT,
Voltage transformer fuses HHZ-BVT
- ABB (www.abb.com):
Indoor voltage transformer fuses WBP,
Outdoor voltage transformer fuses BRT

Fuse selection criterias

Ambient conditions

Rated voltage: 6kV for HST3 and HST6

Rated voltage: 12kV for HST9 and HST12

Rated current: 0.6A to 1A

ZES ZIMMER can not guarantee that the fuses of above mentioned suppliers are suitable for every purpose and application! It is the responsibility of the user to find and install a fuse appropriate to the application.

7.1.13 External surge arrester

To improve the operational reliability the usage of a surge arrester is recommended. With a surge arrester meeting the requirements and placed behind the previously mentioned HV-fuse, overvoltages can be held below the maximum non repetitive peak voltages of the HST.

Possible suppliers of surge arresters are:

- TRIDELTA (www.tridelta.de)
Medium voltage arrester Series SBK
- SIEMENS (www.siemens.com)
Medium voltage arrester Series 3EK7

Surge arrester selection criterias

Ambient conditions

Continuos operating voltage at installation point

Temporary overvoltage at installation point

Residual voltage against earth at possible impulse current:

max. 8.8kV for HST3

max. 16.8kV for HST6

max. 23.8kV for HST9

max. 30.2kV for HST12

ZES ZIMMER can not guarantee that the surge arresters of above mentioned suppliers are suitable for every purpose and application! It is the responsibility of the user to find and install a surge arrester appropriate to the application.

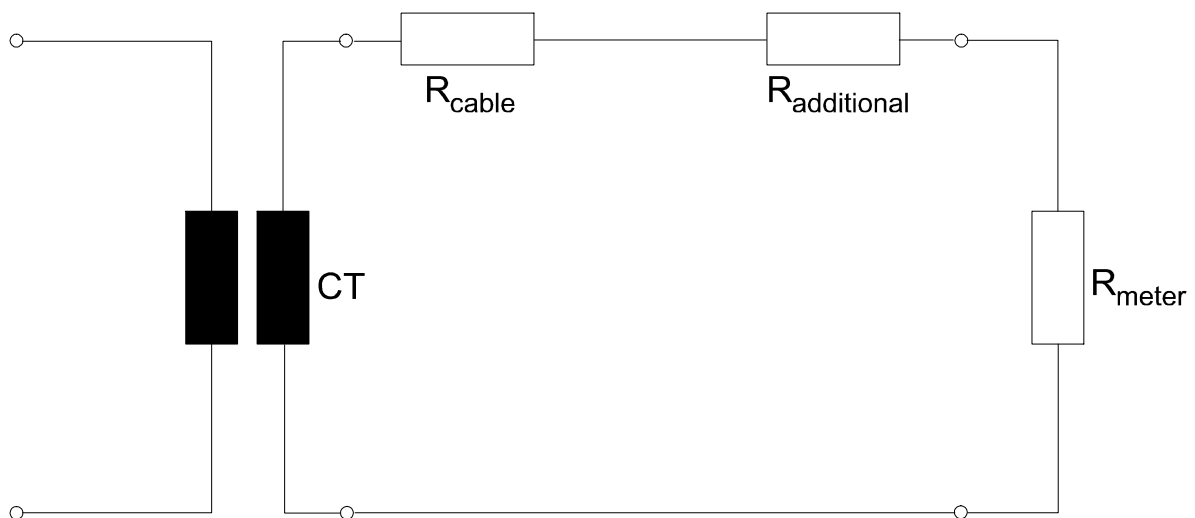
8 FAQ - frequently asked questions / Knowledge base

8.1 The Burden resistor

For measurements with the specified accuracies the burden of a sensor has to be between 50% and 100% of the rated burden in the data sheet (at the rated frequency range). This burden can be given as ohmic resistor or as an apparent power value. Here an example how you can convert the two values:

$$R = \frac{S}{(I)^2} = \frac{2.5VA}{(5A)^2} = 100m\Omega$$

The burden resistor is built up from the ohmic load of the cables and additional from the burden of the meter. The sensor will not work at the specified accuracy, if the operation burden is not reached. Because of the very low consumption of the electronic meter inputs the rated operation burden is mostly not reached and an additional operation resistor has to be fitted. This resistor can also be built up from a correctly dimensioned connection cable from the sensor to the meter.



R_{cable}	ohmic value of the cable
$R_{additional}$	additional ohmic resistor (may be cable)
R_{meter}	ohmic value of the meter input
CT	current sensor

8.1.1 Example

Sensor	Cable	Meter
100A/5A rated burden: $R_{rate} = 2.5VA$ operation burden: 50% of 2.5VA	$l = 2m$ (total length) $\rho = 0.0175 \frac{\Omega \cdot mm^2}{m}$ $A = 1.5mm^2$	Burden: $R_{meter} = \frac{2.5VA}{I^2}$

8.1.2 For the CT

The rated burden of the CT is: $R_{rate} = \frac{S}{I^2} = \frac{2.5VA}{(5A)^2} = 100m\Omega$

$\Rightarrow R_{operation} = 50m\Omega$

Burden of the meter: $R_{meter} = \frac{S}{I^2} = \frac{0.2VA}{(5A)^2} = 8m\Omega$

Ohmic value of the cable: $R_{cable} = \frac{\rho \cdot l}{A} = \frac{0.0175\Omega \cdot mm^2 \cdot 2m}{m \cdot 1.5mm^2} = 23.3m\Omega$

Now the additional resistor can be calculated to:

$R_{additional} = R_{operation} - R_{cable} - R_{meter} = 50m\Omega - 23.3m\Omega - 8m\Omega = 18.7m\Omega$

If you want to use a longer cable to built up this additional resistor the length is calculated:

$$l = \frac{R_{cable} \cdot A}{\rho} = \frac{(R_{operation} - R_{meter}) \cdot A}{\rho} = \frac{(50m\Omega - 8m\Omega) \cdot m \cdot 1.5mm^2}{0.0175\Omega \cdot mm^2} = 3.6m$$

(Please note the maximum current loading capability of the cable!)

8.2 Example of an error calculation: general derivation

The calculations illustrate how to calculate the errors of U, I or P when using an external sensor. The following parameters of the measurement are given:

The measurement is made with a LMG95, the accuracies of the channels are in $\pm(\% \text{ of measuring value} + \% \text{ of measuring range})$:

Frequency/Hz	45 to 65
Voltage	0.01+0.02
Current	0.01+0.02
Active Power	0.015+0.02

The clamp with which is measured is the LMG-Z322 with an accuracy of:

Current	Amplitude error	Phase error
10A to 200A	1.5%	2°
200A to 1000A	0.75%	0.75°
1000A to 1200A	0.5%	0.5°

Ratio of 1000:1.

At the I channel we are using a scaling of 1000 to get the correct currents at the display. In the following examples all values are calculated for the primary side, what means on measured signal level. The readings are:

U_{rms} : 230.000V, range 250V \Rightarrow range peak value 400V

I_{rms} : 100.000A primary \Rightarrow 0.1A secondary; range 150mA \Rightarrow range peak value 469mA
calculated back to the primary side: range 150A \Rightarrow range peak value 469A

f: 50Hz

φ : 45°

P: 16.2635kW, range 37.5kW \Rightarrow range peak value 187.6kW

AC coupling mode for the signal is selected (what means you have no errors because of the DC offset of the signal).

From the table above the following errors of the LMG95 itself for voltage and current can be determined (using the peak values of the respective measuring range):

$$\Delta U = \pm(0.01\% \text{ of } Rdg. + 0.02\% \text{ of } Rng.) = \pm(0.023V + 0.08V) = \pm 0.103V$$

$$\Delta I_{LMG95} = \pm(0.01\% \text{ of } Rdg. + 0.02\% \text{ of } Rng.) = \pm(0.01A + 0.0938A) = \pm 0.1038A$$

$$\Delta P_{LMG95} = \pm(0.015\% \text{ of } R_{dg.} + 0.02\% \text{ of } R_{ng.}) = \pm(0.00244kW + 0.03752kW) = \pm 0.03996kW$$

Additional to these three errors there is the error caused by the current clamp. First the amplitude error which will be added to the ΔI_{LMG95} :

$$\Delta I_{clamp} = \pm(1.5\% \text{ of } rdg.) = \pm 1.5A$$

So you get a total current error of:

$$\Delta I_{total} = \Delta I_{LMG95} + \Delta I_{clamp} = \pm 1.6038A$$

The second error which is caused by the clamp is the error of the additional phase shift of 2° . This error will influence the active power. In this example the power can be calculated as:

$$P = U * I * \cos \varphi$$

So the total differential gives you the error:

$$\Delta P_{clamp} = \left| \frac{\partial P}{\partial U} * \Delta U \right| + \left| \frac{\partial P}{\partial I} * \Delta I_{total} \right| + \left| \frac{\partial P}{\partial \varphi} * \Delta \varphi \right|$$

you get:

$$\Delta P_{clamp} = |I * \cos \varphi * \Delta U| + |U * \cos \varphi * \Delta I_{total}| + |-U * I * \sin \varphi * \Delta \varphi|$$

At this point only the errors of the clamp are used, the errors of the LMG are already calculated:

$$\Delta U = 0!$$

$$\Delta I = \Delta I_{clamp}$$

$$\Delta \varphi = 2^\circ: \frac{2^\circ * 2\pi}{360^\circ} = 0.035 \text{ rad.}$$

For the angles you have to use the radient: $45^\circ = \frac{\pi}{4} \text{ rad}$

$$\begin{aligned} \Delta P_{clamp} &= \left| 100A * \cos \frac{\pi}{4} * 0.0V \right| + \left| 230V * \cos \frac{\pi}{4} * 1.5A \right| + \left| -230V * 100A * \sin \frac{\pi}{4} * 0.035 \right| \\ &= |0.0W| + |243.95W| + |-569.22W| = 813.17W \end{aligned}$$

At this point the error values caused by the clamp should be marked:

The amplitude error of the clamp 243.95W and the phase shift causes 569.22W, what means 813.17W error are caused by the clamp.

The total error of the active power is:

$$\Delta P_{total} = \Delta P_{LMG95} + \Delta P_{clamp} = \pm(0.03996kW + 0.81317kW) = 0.85313kW$$

The relative error of the active power is:

$$\Delta P_{relative} = \frac{\Delta P_{total}}{P} = 0.0525 \hat{=} 5.25\%$$

8.2.1 Improving the accuracy

If you use a current clamp like in this example with a nominal current of 1000A and your current is only 10% what means 100A a simple trick to increase the accuracy is to wind the conductor several times through the clamp. In the example the accuracy of the clamp changes with three windings to 0.75%, because of the primary current of 300A, the phase shift is 0.75°. The next example of calculation is done for three windings:

U_{rms} : 230.000V, range 250V \Rightarrow range peak value 400V

I_{rms} : Scaling $\frac{1000}{3} = 333.333$, what means all current values are divided by 3, even the errors! The ratio of the clamp stays at 1000:1!

Values: 300.000A primary \Rightarrow 0.3A secondary; range 300mA \Rightarrow range peak value 0.938A calculated back to the primary side: range 100A \Rightarrow range peak value 312.7A

f: 50Hz

φ : 45°

P: 16.2635kW, range 25kW \Rightarrow range peak value 125.080kW

$$\Delta U = \pm(0.01\% \text{ of } Rdg. + 0.02\% \text{ of } Rng.) = \pm(0.023V + 0.08V) = \pm 0.103V$$

$$\Delta I_{LMG95} = \pm(0.01\% \text{ of } Rdg. + 0.02\% \text{ of } Rng.) = \pm(0.01A + 0.06254A) = \pm 0.07254A$$

$$\Delta P_{LMG95} = \pm(0.015\% \text{ of } Rdg. + 0.02\% \text{ of } Rng.) = \pm(0.00244kW + 0.02502kW) = \pm 0.027456kW$$

$\Delta I_{clamp} = \pm(0.75\% \text{ of primary current} = \text{in this case the "reading"}) = \pm 2.25A$, now with the scaling this error is divided by 3 as well, what means:

$$\Delta I_{clamp} = \pm(0.75\% \text{ of } Rdg.) = \pm 0.75A$$

$$\Delta I_{total} = \Delta I_{LMG95} + \Delta I_{clamp} = \pm 0.82254A$$

Again the total differential has to be used, but now with the following values:

$$\Delta U = 0!$$

$$\Delta I = \Delta I_{\text{clamp}}$$

$$\Delta \varphi = 0.75^\circ: \frac{0.75^\circ * 2\pi}{360^\circ} = 0.013 \text{ rad.}$$

With this the error of the clamp of the active power is:

$$\begin{aligned} \Delta P_{\text{clamp}} &= \left| 100\text{A} * \cos \frac{\pi}{4} * 0.0\text{V} \right| + \left| 230\text{V} * \cos \frac{\pi}{4} * 0.75\text{A} \right| + \left| -230\text{V} * 100\text{A} * \sin \frac{\pi}{4} * 0.013 \right| \\ &= 333.40\text{W} \end{aligned}$$

$$\Delta P_{\text{total}} = \Delta P_{\text{LMG95}} + \Delta P_{\text{clamp}} = \pm(0.027456\text{kW} + 0.33340\text{kW}) = 0.360856\text{kW}$$

The relative error of the active power is:

$$\Delta P_{\text{relative}} = \frac{\Delta P_{\text{total}}}{P} = 0.0222 \hat{=} 2.22\%$$

With this simple trick the error of the current amplitude could be reduced by 51.2%. The error of the active power even by 42.3%.

8.3 Example of an error calculation: LMG500 with external shunt

Particularly with regard to the standby power measurements compliant to EN62301 and ENERGY STAR it might be profitable and necessary to use an external shunt to increase the current dynamic and accuracy at low currents. This example shows how to calculate the measuring tolerance of the complete system consisting of LMG500 and the external shunt LMG-SH100.

- **External shunt**

LMG-SH100, 100ohms, $\pm 0.15\%$

- **Voltage measurement**

$U_{\text{eff}}=230\text{V}$

LMG500 $U_{\text{range}}=250\text{V} / 400\text{Vpk}$ (range spec.: see documentation of LMG500)

(in 115V supply networks: $U_{\text{range}}=130\text{V} / 200\text{Vpk}$, the remaining calculation is the same)

- **Current measurement**

$I_{\text{eff}}=4\text{mA}$

LMG500 $I_{\text{range}}=5\text{mA} / 15.63\text{mApk}$ (range spec.: see documentation of LMG-SHxx)

LMG500 I measuring accuracy: $\pm(0.01\%$ of measuring value $+0.02\%$ of measuring range)

- **Power measurement**

$\text{PF}=0.1$

$f=50\text{Hz}$ (or 60Hz)

$S=0.92\text{VA}$

$P=92\text{mW}$

LMG500 $P_{\text{range}}=U_{\text{range}}*I_{\text{range}}=400\text{V}*15.63\text{mA}=6.252\text{W}$

LMG500 P measuring accuracy: $\pm(0.015\%$ of measuring value $+0.01\%$ of measuring range)

- **Tolerance of current and power measurement**

Because the shunt tolerance is a purely scaling error without a term of measuring range, the error analysis can be simplified to the following calculation:

	<i>shunt error term</i>	<i>LMG error of meas.value</i>	<i>LMG error of meas.range</i>
ΔI	$= \pm(0.15/100*4\text{mA}$	$+ 0.01/100*4\text{mA}$	$+ 0.02/100*15.63\text{mA})$
	$= \pm(6\mu\text{A}$	$+ 0.4\mu\text{A}$	$+ 3.126\mu\text{A})$
	$= \underline{\underline{\pm 9.526\mu\text{A}}}$		
ΔP	$= \pm(0.15/100*92\text{mW}$	$+ 0.015/100*92\text{mW}$	$+ 0.01/100*6.252\text{W})$
	$= \pm(138\mu\text{W}$	$+ 13.8\mu\text{W}$	$+ 625.2\mu\text{W})$
	$= \underline{\underline{\pm 777\mu\text{W}}}$		

8.4 Example of an error calculation: LMG500 with HST3

In this example an error calculation is shown with the LMG500 and HST3 measuring the loss power of a 3000V / 10A / 60Hz, pure sinewave voltage and current / PF=0.3 device under test

- **HST high voltage divider**

HST3 scale = 1000:1

HST3 tolerance: $\pm 0.05\%$ / $\pm 0.06^\circ$ @ 45 .. 65Hz

$\Delta\phi_{\text{HST3}} = \pm 0.06^\circ / 360^\circ * 2 * \pi = \pm 0.001047197551 \text{ rad}$

- **Voltage measurement**

$U_{\text{eff}} = 3000\text{V} / 60\text{Hz}$

LMG500 U_{scale} = 1000

LMG500 U_{range} = (3V / 6V_{pk}) = 3000V / 6000V_{pk}

LMG500 U measuring accuracy: $\pm(0.01\%$ of measuring value + 0.02% of measuring range)

- **Current measurement**

$I_{\text{eff}} = 10\text{A} / 60\text{Hz}$

LMG500 I_{range} = 10A / 30A_{pk}, direct current input

LMG500 I measuring accuracy: $\pm(0.01\%$ of measuring value + 0.02% of measuring range)

- **Power measurement**

PF = 0.3, pure sinewave voltage and current -> $\phi = \arccos(\text{PF})$

f = 60Hz

S = $U_{\text{eff}} * I_{\text{eff}} = 30\text{kVA}$

P = $U_{\text{eff}} * I_{\text{eff}} * \text{PF} = 9\text{kW}$

LMG500 P_{range} = U_{range} * I_{range} = 6000V * 30A = 180kW

LMG500 P measuring accuracy: $\pm(0.015\%$ of measuring value + 0.01% of measuring range)

- **Tolerance of voltage and power measurement**

$\Delta U_{\text{LMG500}} = \pm(0.01/100 * 3000\text{V} + 0.02/100 * 6000\text{V}) = \pm(0.3\text{V} + 1.2\text{V}) = \pm 1.5\text{V}$

$\Delta U_{\text{HST3}} = \pm(3000\text{V} * 0.05/100) = \pm 1.5\text{V}$

$\Delta U_{\text{total}} = \pm(\Delta U_{\text{LMG500}} + \Delta U_{\text{HST3}}) = \pm 3\text{V}$

$\Delta P_{\text{LMG500}} = \pm(0.015/100 * P + 0.01/100 * P_{\text{range}}) = \pm(1.35\text{W} + 18\text{W}) = \pm 19.35\text{W}$

with $P = U * I * \cos(\phi)$

$\Delta P_{\text{HST3}} = \pm(|dP/dU * \Delta U_{\text{HST3}}| + |dP/dI * \Delta I_{\text{HST3}}| + |dP/d\phi * \Delta\phi_{\text{HST3}}|)$

with $\Delta I_{\text{HST3}} = 0$ (current measurement has no influence on voltage measurement)

$\Delta P_{\text{HST3}} = \pm(|I * \cos(\phi) * \Delta U_{\text{HST3}}| + |U * I * \sin(\phi) * \Delta\phi_{\text{HST3}}|)$

$\Delta P_{\text{HST3}} = \pm(10\text{A} * 0.3 * 1.5\text{V} + 3000 * 10 * \sin(\arccos(0.3)) * 0.001047197551) = \pm 34.47\text{W}$

$\Delta P_{\text{total}} = \Delta P_{\text{LMG500}} + \Delta P_{\text{HST3}} = \pm 53.82\text{W}$

8.5 Phase correction of current transducers with LMG500

Current sensors, low frequency types for 50Hz as well as high frequency types, insert a delay in the current measurement path. This behavior is also called ‘phase error’ and means an additional error term in the power measurement. At high frequency applications and also even low frequency applications at very low power factor, this phase error may destroy the complete measurement! Even a few hundred nanoseconds add a significant power error in case of low power factor.

A great feature of the LMG500 is the capability to correct the delay time of current and voltage sensors with the time resolution of nanoseconds. To do this adjustment, it is very important to find a reasonable signal and reference! The signal source can be either a calibrator with voltage and current output and adjustable frequency and phaseshift or the application itself. Sometimes the application can be operated in a working point with a current low enough to be measured direct as well as via current sensor. The big advantage of the phase adjust in the application itself is that its made with the identical frequency (or: frequency mix!) as later in the measurement environment and the phase error of a current transducer is usually dependent from the signal frequency.

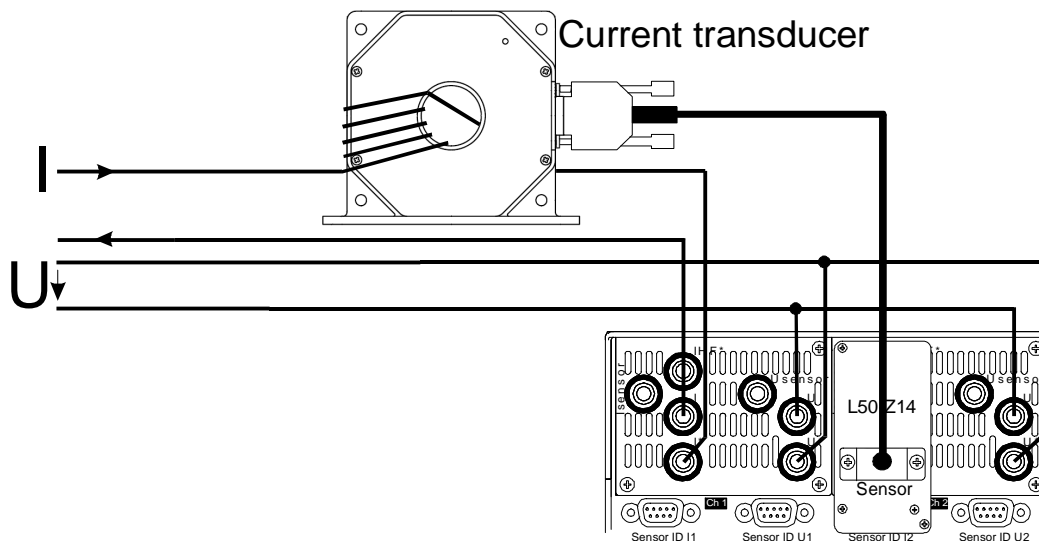


Figure 154: wiring for current transducer phase correction

Use a few windings through the current transducer and measure the same current with a different power channel and direct current input. Connect the voltage to both power channels in parallel. Don't forget to set the current scaling factor to compare the active power.

Best sensitivity can be achieved with a signal phaseshift near 90 degree. Now switch the LMG500 to the menu: /range/delay and set the current channel delay for the same power factor display like the direct measured signal.

For the proper phase adjustment bring the power channel 2 (with external current sensor) to the same power factor as the power channel 1 (with direct current measurement). It is important to adjust to the same power factor, not to the same active power (which should be both nearly! the same conclusion), because every current sensor has also slightly gain errors. To compensate a small gain error with delay adjustment will lead to spurious measuring results! The power factor does not depend on gain errors, so its is better to use this value not to mix gain adjustment with phase adjustment. To understand this, take a look at pure sinewave signal for voltage and current: $PF = P/S = (U_{trms} * I_{trms} * \cos(\phi)) / (U_{trms} * I_{trms}) = \cos(\phi)$. U_{trms} and I_{trms} can be truncated.

For very high frequency signal it is best to use not more than 5A_{eff}, because the bandwidth and phase accuracy of this range (20mA to 5A) is the best.

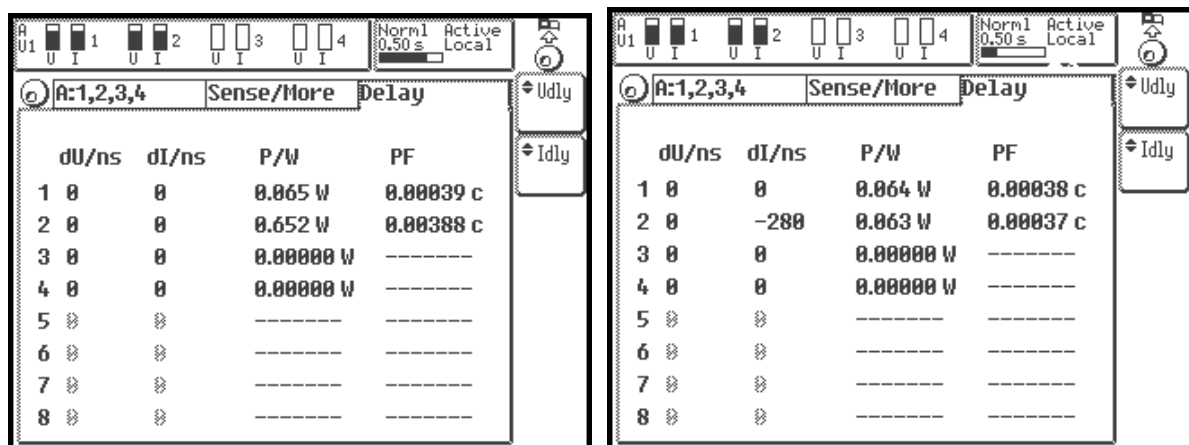


Figure 155: LMG500 before delay compensation (left) / with successfull delay compensation of 280ns (right)

The current transducer in the example above has a signal delay of 280ns, this is compensated with a delay setting of -280ns, see the power factor ‘PF’ and active power ‘P’!

The current transducer delay or phase error is not necessarily positive, so at higher frequency the phase shift of a passive current transformer is usually negative and has to be compensated with a positive compensation value.

8.6 Multiple external sensors in a test bench with LMG450 / LMG500

A common situation in a test bench is, that different sensors have to be connected alternately to the same power meter channel, controlled by a PC program. For ZES sensors with included eeprom and error compensation (HDSUB15 plug) the relevant signals have to be redirected, e.g. by a relais. Relevant are all 10 signals of the pins 6 to 15 of the 15 pin jack in the LMG450 or L50-Z14!

Important!

- first you have to disconnect the active sensor: therefore please disconnect or switch off the primary current, then disconnect pins 6 to 15 with a relais
- wait for at least 3s
- now you can connect the new sensor: connect pins 6 to 15 with a relais, then connect or switch on the primary current.
- **don't allow primary current without secondary connection and supply of the sensor!!**
- please use very short and shielded connection cables from the LMG to the switchbox, and inside the switchbox to avoid EMC problems! a **maximum length of 1m** between LMG and the HD15 plug of the sensor is allowed
- pin assignment of the HDSUB15 connector of LMG450 or L50-Z14:

pin1 to pin5	nc
pin6	negative supply (-12V/LMG450 or -15V/LMG500)
pin7	positive supply (+12V/LMG450 or +15V/LMG500)
pin8	EEPROM clk
pin9	EEPROM data
pin10	EEPROM vcc
pin11	signal out
pin12	gnd
pin13	gnd
pin14	gnd
pin15	sensor detection

- In case of supply via sensor supply unit SSU4 you can supply the sensors continuously with an additional SSU4. Or supply both sensors in parallel with one output of the SSU4, but allow primary current only to the active sensor!

pin assignment of the DSUB9 connector of SSU4:

pin1	nc
pin2	nc
pin3	gnd
pin4	gnd
pin5	-15V
pin6	signal
pin7	nc
pin8	status
pin9	+15V

8.7 Avoid distortion when using external sensors in noisy environment

External current sensors with voltage output connected to the precision power meter series LMG have usually an output voltage of a few mV to several V. This sensors can be connected to the LMG Isensor input and current measurements can be done with a high accuracy, but a few points have to be kept in mind. Also sensors with current output can have distortion problems. Especially in EMC noisy environments with high dU/dt voltages the following points should be considered to achieve best accuracy and low noise:

- Use well shielded koaxial cable to connect sensors with voltage output to the power meter LMG. Sensors with current output should be connected with twisted measuring leads.
- Avoid ground loops, do not connect the shield and/or housing of the sensor at several different points to earth. Take into concern, that other instruments, measuring the same secondary signal, might have inputs without isolation to earth, e.g. oscilloscopes. Important is the star-shaped grounding of the complete system.
- In the case of well shielded sensors e.g. Pearson transducers, the shield housing should be connected to PE to allow the capacitiv coupled distortion to find a low impedance way to earth and do not couple to the measuring signal. If so, the low input I should not be connected to earth.

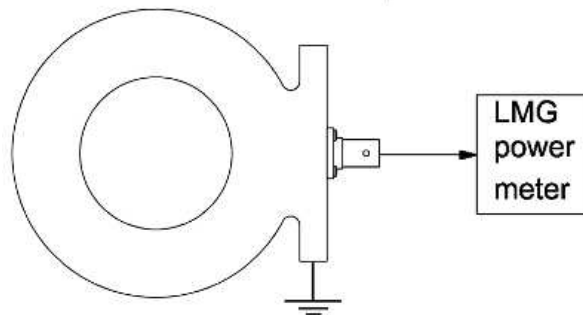


Figure 156: Grounding of well shielded sensors

- In applications with current measurement on high common mode voltage potential it is advantageous to connect the low output of a galvanic separated current transformer with earth. There is a double galvanic separation: in the LMG and inside the current transformer itself. So the secondary side has neither galvanic contact with the load current nor with earth: the current channel is floating on an undefined potential. The accuracy can be improved by dragging down the floating voltage to about earth potential and give the distortion currents a low impedance way to earth.

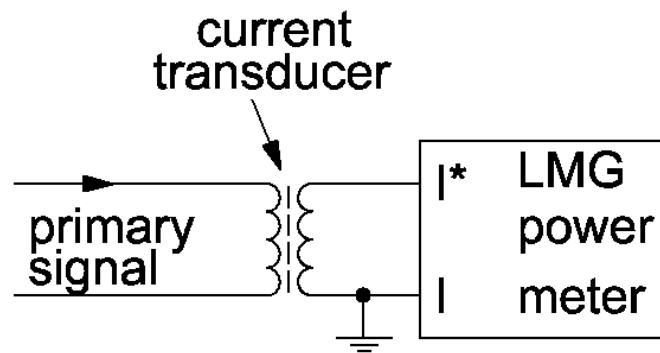


Figure 157: Grounding of common current sensor signals

- In applications with a high dU/dt and sensors with onboard electronics it might be profitable to shield the isolated primary conductor e.g. with copper foil connected only at one side! to earth. This shield ought to bleed of the capacitive coupled distortion to earth and keep them away from the sensor electronics. This policy can also be used to enhance accuracy and reject distortion with other current transducers.

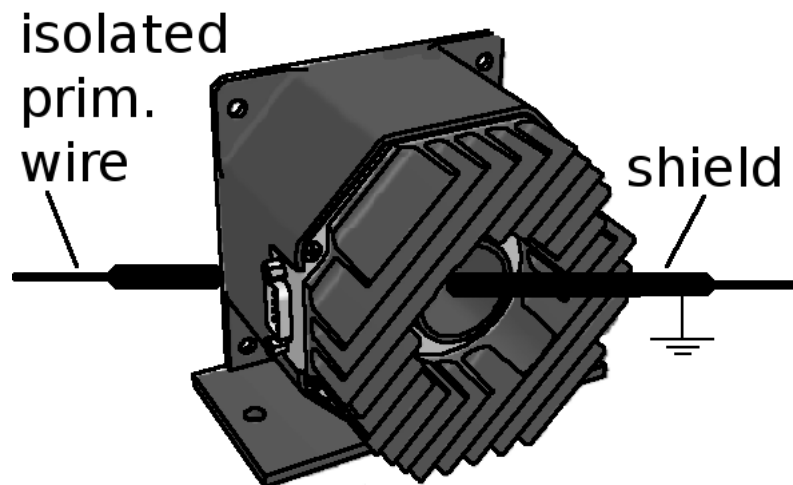


Figure 158: Shielding of sensors with onboard electronics

- In all cases you should adapt the bandwidth of the power meter to the bandwidth of the current sensor and the signal. It is useless to measure the active power with a 5kHz bandwidth current clamp and a power meter bandwidth of 10MHz, in this case a signal filter of e.g. 10kHz will not affect the measuring signal significantly, but will highly reduce HF distortion and noise!

8.8 Range extension by changing primary ratio at current sensors

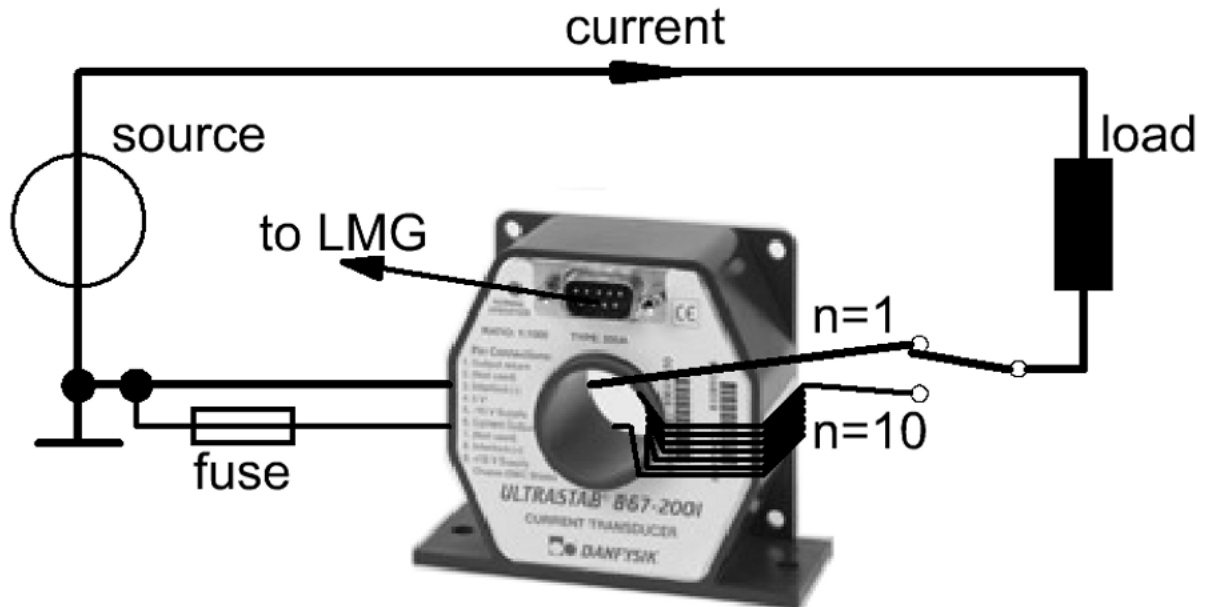


Figure 159: external range extension

You can use two windings through a current transducer to expand its current range dynamic.

In this example one winding with one turn (for big currents) and one winding with ten turns (for small currents) are taken. If you change the scaling value of the corresponding power meters current channel the different turns are taken into account for all of the measuring values.

This approach is suitable for all feed through and clamp on current transducers.

Example:

- precision power meter: LMG500
- current sensor: PSU200
- measuring ranges (full range)
 - 1 turn: 0.78A .. 100A
 - 10 turns: 78mA .. 10A

8.9 Range extension by external Shunt and direct current input I*/I

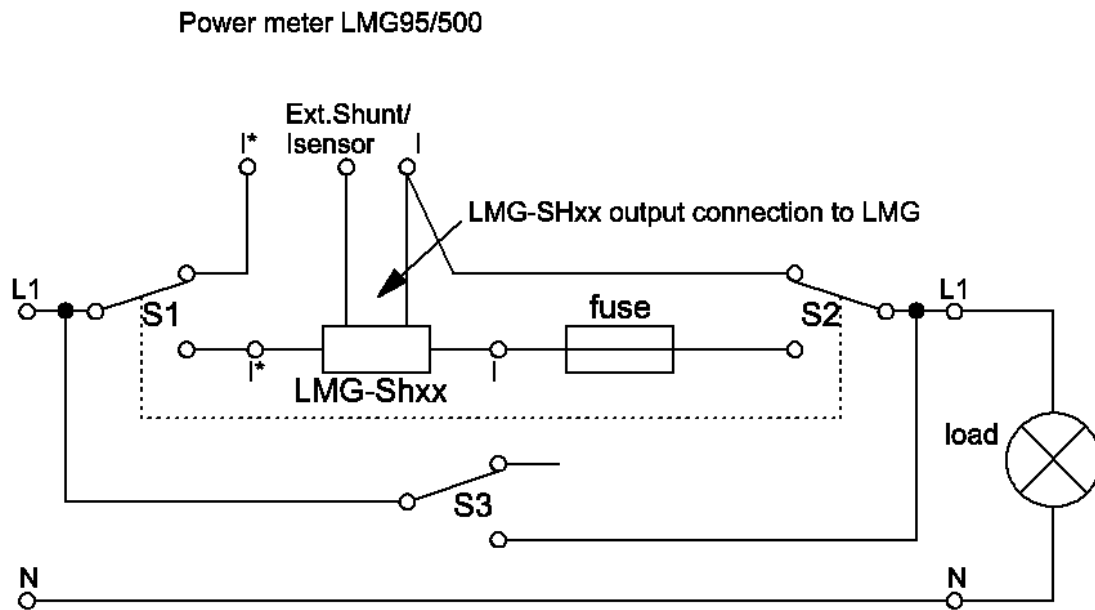


Figure 160: range extension by external shunt

Measuring over a very wide current dynamic range might require to switch from direct current measurement via I* and I for higher current to an external Shunt for very low current.

Because both the external Shunt input and the direct current input I*/I have the same reference ground and to prevent that the measuring current flows via the voltage sense of LMG-SHxx, the current has to be switched with two switches like shown in the figure. The input jack and the appropriate scaling factor has to be set at the power meter.

S3 can be used in addition, not to interrupt the load current while switching between external shunt and direct current input.

A typical application is the EN62301 conform measurement of small standby currents and high operating currents in an automated testbench.

8.10 Avoid measuring errors due to shield currents

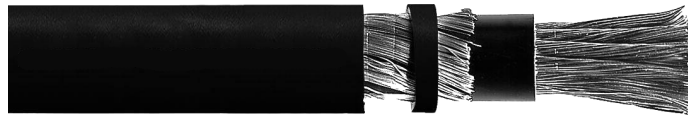


Figure 161: shielded high voltage cable

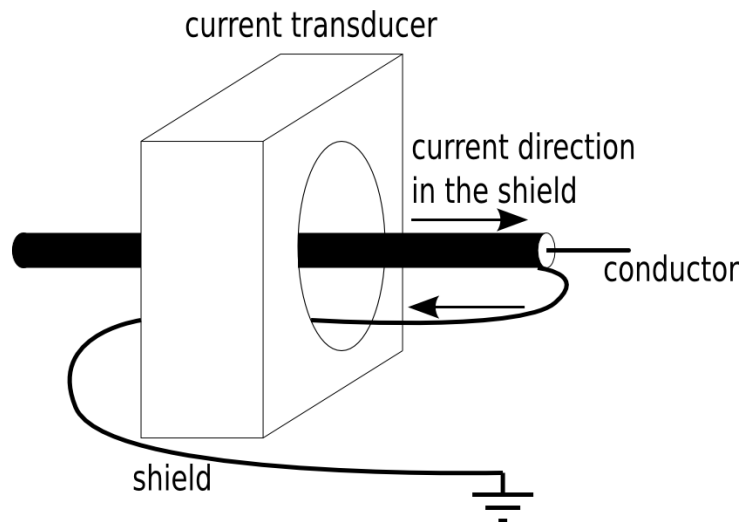


Figure 162: avoid measuring errors due to shield currents

In the medium voltage range (e.g. wind energy) and also electrically powered vehicles shielded cables are commonly used for power connections.

Current measurement with feed-through current transducers and shielded cables can lead to measuring errors. Only the current in the inner conductor is relevant but its magnetic field is superimposed with the magnetic field of the shield current and measured together in the current transducer.

The shield turned back through the transducer will lead to an opposite magnetic field and cancels the resulting magnetic field measured by the transducer to zero. The shield effect against the electric field between conductor and transducer is not influenced.

8.11 Hints for wiring current transformers or HST to LMG

The appropriate cable types to connect the transducers to the power meter are described in this section. Each cable connects all current transformer or all voltage transducer signals from a three phase system to a power meter.

The appropriate cable types must have individually twisted pairs (TP) and a shield made of copper netting. For example, the following types of cables have the matching properties:

1. Lappkabel: Unitronic LiYCY(TP)
2. Helukabel_ Paar-Tronic-CY
3. TKD-Kabel: PAARTRONIC-CY LiYCY(TP)

Use one twisted pair for one current transformer or voltage transducer. Several three phase systems can be connected together in one cable.

The cable shields are connected only on one side to the ground terminal of the high voltage divider (HST) or the current transformer. The LMG-side cable shields should remain unconnected!

For a proper load resistor of the current transformers, use one of the following cross sections depending on the cable length:

<u>Cable length</u>	<u>Copper cross section</u>
8m to 12m	0.25mm ²
11m to 17m	0.34mm ²
16m to 25m	0.5mm ²
23m to 38m	0.75mm ²
32m to 51m	1.0mm ²
48m to 77m	1.5mm ²
78m to 128m	2.5mm ²

<u>Cable length</u>	<u>American Wire Gauge</u>
7m to 10m	AWG 24
10m to 17m	AWG 22
16m to 27m	AWG 20
26m to 42m	AWG 18
41m to 67m	AWG 16
65m to 107m	AWG 14
104m to 170m	AWG 12

For the connection of the high voltage transducer (HST) output, one does not have to care about the cross section. Coaxial cable (e.g. RG58) can be used too.

Treatment of the ends of the wires:

Use gold-plated stackable 4mm plugs, e.g. Multi-Contact LS425-SE/M (Bürklin 15F3107) together with insulating sleeve KT425-SE (Bürklin 15F310x). Note: the 4mm plugs have to be stackable for easy LMG-side short circuit of the secondary side of the current transformers. The plated gold is important because of the contact resistance.